

Part No. 060198-10, Rev. A
November 2004

OmniSwitch 6800 Series Network Configuration Guide



www.alcatel.com

**This user guide documents release 5.3.1 of the OmniSwitch 6800 Series.
The functionality described in this guide is subject to change without notice.**

Copyright © 2004 by Alcatel Internetworking, Inc. All rights reserved. This document may not be reproduced in whole or in part without the express written permission of Alcatel Internetworking, Inc.

Alcatel[®] and the Alcatel logo are registered trademarks of Alcatel. Xylan[®], OmniSwitch[®], OmniStack[®], and Alcatel OmniVista[®] are registered trademarks of Alcatel Internetworking, Inc.

OmniAccess[™], Omni Switch/Router[™], PolicyView[™], RouterView[™], SwitchManager[™], VoiceView[™], WebView[™], X-Cell[™], X-Vision[™], and the Xylan logo are trademarks of Alcatel Internetworking, Inc.

This OmniSwitch product contains components which may be covered by one or more of the following U.S. Patents:

- U.S. Patent No. 6,339,830
- U.S. Patent No. 6,070,243
- U.S. Patent No. 6,061,368
- U.S. Patent No. 5,394,402
- U.S. Patent No. 6,047,024
- U.S. Patent No. 6,314,106
- U.S. Patent No. 6,542,507



**26801 West Agoura Road
Calabasas, CA 91301
(818) 880-3500 FAX (818) 880-3505
info@ind.alcatel.com**

**US Customer Support—(800) 995-2696
International Customer Support—(818) 878-4507
Internet—<http://eservice.ind.alcatel.com>**

Contents

	About This Guide	xxiii
	Supported Platforms	xxiii
	Who Should Read this Manual?	xxiv
	When Should I Read this Manual?	xxiv
	What is in this Manual?	xxiv
	What is Not in this Manual?	xxiv
	How is the Information Organized?	xxv
	Documentation Roadmap	xxv
	Related Documentation	xxvii
	User Manual CD	xxviii
	Technical Support	xxviii
Chapter 1	Configuring Ethernet Ports	1-1
	In This Chapter	1-1
	Ethernet Specifications	1-2
	Ethernet Port Defaults (All Port Types)	1-2
	10/100/1000 Ethernet Port Defaults	1-3
	Combo Ethernet Port Defaults	1-3
	Ethernet Ports Overview	1-4
	OmniSwitch 6800 Series Combo Ports	1-4
	Valid Port Settings	1-5
	OmniSwitch 6800 Series Chassis	1-5
	OmniSwitch 6800-24	1-5
	OmniSwitch 6800-48	1-6
	10/100/1000 Crossover Supported	1-6
	Autonegotiation Guidelines	1-6
	Setting Ethernet Parameters for All Port Types	1-7
	Setting Trap Port Link Messages	1-7
	Enabling Trap Port Link Messages	1-7
	Disabling Trap Port Link Messages	1-7
	Resetting Statistics Counters	1-8
	Enabling and Disabling Interfaces	1-8
	Configuring Flood Rates	1-9
	Enabling the Maximum Flood Rate	1-9
	Enabling Maximum Flood Rate for Multicast Traffic	1-9
	Configuring Flood Rate Values	1-10

Configuring a Port Alias	1-11
Configuring Maximum Frame Sizes	1-11
Setting Ethernet Parameters for Non Combo Ports	1-13
Setting Interface Line Speed	1-13
Configuring Duplex Mode	1-14
Configuring Inter-frame Gap Values	1-14
Configuring Auto Negotiation and Crossover Settings	1-15
Enabling and Disabling Auto Negotiation	1-15
Configuring Crossover Settings	1-16
Setting Combo Ethernet Port Parameters	1-17
Setting the Combo Port Type and Mode	1-17
Setting Combo Ports to Forced Fiber	1-17
Setting Combo Ports to Preferred Copper	1-18
Setting Combo Ports to Forced Copper	1-18
Setting Combo Ports to Preferred Fiber	1-19
Setting Interface Line Speed for Combo Ports	1-19
Configuring Duplex Mode for Combo Ports	1-20
Configuring Auto Negotiation and Crossover for Combo Ports	1-21
Enabling and Disabling Auto Negotiation for Combo Ports	1-21
Configuring Crossover Settings for Combo Ports	1-22
Combo Port Application Example	1-24
Verifying Ethernet Port Configuration	1-26
Chapter 2 Managing Source Learning	2-1
In This Chapter	2-1
Source Learning Specifications	2-2
Source Learning Defaults	2-2
Sample MAC Address Table Configuration	2-2
MAC Address Table Overview	2-4
Using Static MAC Addresses	2-4
Configuring Static MAC Addresses	2-5
Static MAC Addresses on Link Aggregate Ports	2-5
Configuring MAC Address Table Aging Time	2-5
Displaying MAC Address Table Information	2-7
Chapter 3 Configuring Learned Port Security	3-1
In This Chapter	3-1
Learned Port Security Specifications	3-2
Learned Port Security Defaults	3-2
Sample Learned Port Security Configuration	3-3
Learned Port Security Overview	3-4
How LPS Authorizes Source MAC Addresses	3-5
Dynamic Configuration of Authorized MAC Addresses	3-5

	Static Configuration of Authorized MAC Addresses	3-6
	Understanding the LPS Table	3-6
	Enabling/Disabling Learned Port Security	3-7
	Configuring a Source Learning Time Limit	3-7
	Configuring the Number of MAC Addresses Allowed	3-8
	Configuring Authorized MAC Addresses	3-8
	Configuring an Authorized MAC Address Range	3-9
	Selecting the Security Violation Mode	3-10
	Displaying Learned Port Security Information	3-10
Chapter 4	Configuring VLANs	4-1
	In This Chapter	4-1
	VLAN Specifications	4-2
	VLAN Defaults	4-2
	Sample VLAN Configuration	4-3
	VLAN Management Overview	4-4
	Creating/Modifying VLANs	4-5
	Adding/Removing a VLAN	4-5
	Enabling/Disabling the VLAN Administrative Status	4-6
	Modifying the VLAN Description	4-6
	Defining VLAN Port Assignments	4-6
	Changing the Default VLAN Assignment for a Port	4-7
	Configuring Dynamic VLAN Port Assignment	4-7
	Configuring VLAN Rule Classification	4-8
	Enabling/Disabling VLAN Mobile Tag Classification	4-9
	Enabling/Disabling Spanning Tree for a VLAN	4-10
	Enabling/Disabling VLAN Authentication	4-11
	Configuring VLAN Router Ports	4-11
	Defining an IP Router VLAN	4-11
	Modifying an IP Router Port	4-12
	What is Single MAC Router Mode?	4-13
	Bridging VLANs Across Multiple Switches	4-14
	Verifying the VLAN Configuration	4-15
Chapter 5	Configuring Spanning Tree Parameters	5-1
	In This Chapter	5-1
	Spanning Tree Specifications	5-2
	Spanning Tree Defaults	5-2

Spanning Tree Overview	5-3
How the Spanning Tree Topology is Calculated	5-3
Bridge Protocol Data Units (BPDU)	5-5
Topology Examples	5-6
Spanning Tree Operating Modes	5-8
Using Flat Spanning Tree Mode	5-8
Using 1x1 Spanning Tree Mode	5-9
Configuring STP VLAN Parameters	5-10
ASCII-File-Only Syntax	5-11
Selecting the VLAN Bridge Protocol (802.1D or 802.1w)	5-11
Enabling/Disabling the VLAN BPDU Switching Status	5-12
Configuring VLAN Bridge Priority	5-12
Configuring VLAN Bridge Hello Time	5-12
Configuring VLAN Bridge Max Age Time	5-14
Configuring VLAN Bridge Forward Delay Time	5-14
Configuring STP Port Parameters	5-15
Enabling/Disabling STP on a Port	5-15
STP on Link Aggregate Ports	5-15
Configuring Port Priority	5-16
Port Priority on Link Aggregate Ports	5-16
Configuring Port Path Cost	5-17
Path Cost for Link Aggregate Ports	5-17
Configuring Port Mode	5-18
Mode for Link Aggregate Ports	5-19
Configuring Port Connection Type	5-19
Connection Type on Link Aggregate Ports	5-20
Sample Spanning Tree Configuration	5-21
Example Network Overview	5-21
Example Network Configuration Steps	5-22
Verifying the Spanning Tree Configuration	5-24
Chapter 6 Assigning Ports to VLANs	6-1
In This Chapter	6-1
Port Assignment Specifications	6-2
Port Assignment Defaults	6-2
Sample VLAN Port Assignment	6-3
Statically Assigning Ports to VLANs	6-4
Dynamically Assigning Ports to VLANs	6-4
How Dynamic Port Assignment Works	6-5
VLAN Mobile Tag Classification	6-5
VLAN Rule Classification	6-8
Configuring Dynamic VLAN Port Assignment	6-10
Enabling/Disabling Port Mobility	6-11
Ignoring Bridge Protocol Data Units (BPDU)	6-11

Understanding Mobile Port Properties	6-12
What is a Configured Default VLAN?	6-12
What is a Secondary VLAN?	6-13
Configuring Mobile Port Properties	6-16
Enable/Disable Default VLAN	6-16
Enable/Disable Default VLAN Restore	6-17
Enable/Disable Port Authentication	6-17
Enable/Disable 802.1X Port-Based Access Control	6-18
Verifying VLAN Port Associations and Mobile Port Properties	6-19
Understanding ‘show vlan port’ Output	6-19
Understanding ‘show vlan port mobile’ Output	6-20

Chapter 7	Defining VLAN Rules	7-1
	In This Chapter	7-1
	VLAN Rules Specifications	7-2
	VLAN Rules Defaults	7-2
	Sample VLAN Rule Configuration	7-3
	VLAN Rules Overview	7-4
	VLAN Rule Types	7-4
	DHCP Rules	7-4
	Binding Rules	7-6
	MAC Address Rules	7-6
	Network Address Rules	7-6
	Protocol Rules	7-6
	Port Rules	7-7
	Understanding VLAN Rule Precedence	7-8
	Configuring VLAN Rule Definitions	7-10
	Defining DHCP MAC Address Rules	7-11
	Defining DHCP MAC Range Rules	7-12
	Defining DHCP Port Rules	7-12
	Defining DHCP Generic Rules	7-13
	Defining Binding Rules	7-13
	How to Define a MAC-Port-IP Address Binding Rule	7-14
	How to Define a MAC-Port Binding Rule	7-14
	How to Define a Port-Protocol Binding Rule	7-14
	Defining MAC Address Rules	7-15
	Defining MAC Range Rules	7-16
	Defining IP Network Address Rules	7-16
	Defining IPX Network Address Rules	7-17
	Defining Protocol Rules	7-18
	Defining Port Rules	7-19
	Application Example: DHCP Rules	7-20
	The VLANs	7-20
	DHCP Servers and Clients	7-20
	Verifying VLAN Rule Configuration	7-23

Chapter 8	Using Interswitch Protocols	8-1
	In This Chapter	8-1
	AIP Specifications	8-2
	AMAP Defaults	8-2
	GMAP Defaults	8-2
	AMAP Overview	8-3
	AMAP Transmission States	8-3
	Discovery Transmission State	8-4
	Common Transmission State	8-4
	Passive Reception State	8-4
	Common Transmission and Remote Switches	8-5
	Configuring AMAP	8-5
	Enabling or Disabling AMAP	8-5
	Configuring the AMAP Discovery Timeout Interval	8-5
	Configuring the AMAP Common Timeout Interval	8-6
	Displaying AMAP Information	8-7
	GMAP Overview	8-9
	Configuring GMAP	8-9
	Enabling and Disabling GMAP	8-9
	Configuring the GMAP Gap Time Interval	8-10
	Configuring the GMAP Update Time Interval	8-10
	Configuring the GMAP Hold Time	8-11
	Displaying GMAP Statistics	8-11
Chapter 9	Configuring 802.1Q	9-1
	In this Chapter	9-1
	802.1Q Specifications	9-2
	802.1Q Defaults Table	9-2
	802.1Q Overview	9-3
	Configuring an 802.1Q VLAN	9-5
	Enabling Tagging on a Port	9-5
	Enabling Tagging with Link Aggregation	9-6
	Configuring the Frame Type	9-7
	Show 802.1Q Information	9-8
	Application Example	9-9
	Verifying 802.1Q Configuration	9-11
Chapter 10	Configuring Static Link Aggregation	10-1
	In This Chapter	10-1
	Static Link Aggregation Specifications	10-2
	Static (OmniChannel) Link Aggregation Default Values	10-2
	Quick Steps for Configuring Static Link Aggregation	10-3

Static Link Aggregation Overview	10-5
Static Link Aggregation Operation	10-5
Relationship to Other Features	10-6
Configuring Static Link Aggregation Groups	10-7
Configuring Mandatory Static Link Aggregate Parameters	10-7
Creating and Deleting a Static Link Aggregate Group	10-8
Creating a Static Aggregate Group	10-8
Deleting a Static Aggregate Group	10-8
Adding and Deleting Ports in a Static Aggregate Group	10-9
Adding Ports to a Static Aggregate Group	10-9
Removing Ports from a Static Aggregate Group	10-9
Modifying Static Aggregation Group Parameters	10-10
Modifying the Static Aggregate Group Name	10-10
Creating a Static Aggregate Group Name	10-10
Deleting a Static Aggregate Group Name	10-10
Modifying the Static Aggregate Group Administrative State	10-10
Enabling the Static Aggregate Group Administrative State	10-10
Disabling the Static Aggregate Group Administrative State	10-10
Application Example	10-11
Displaying Static Link Aggregation Configuration and Statistics	10-13
Chapter 11 Configuring Dynamic Link Aggregation	11-1
In This Chapter	11-1
Dynamic Link Aggregation Specifications	11-2
Dynamic Link Aggregation Default Values	11-3
Quick Steps for Configuring Dynamic Link Aggregation	11-4
Dynamic Link Aggregation Overview	11-7
Dynamic Link Aggregation Operation	11-7
Relationship to Other Features	11-9
Configuring Dynamic Link Aggregate Groups	11-10
Configuring Mandatory Dynamic Link Aggregate Parameters	11-10
Creating and Deleting a Dynamic Aggregate Group	11-11
Creating a Dynamic Aggregate Group	11-11
Deleting a Dynamic Aggregate Group	11-11
Configuring Ports to Join and Removing Ports in a Dynamic Aggregate Group	11-12
Configuring Ports To Join a Dynamic Aggregate Group	11-12
Removing Ports from a Dynamic Aggregate Group	11-13
Modifying Dynamic Link Aggregate Group Parameters	11-14
Modifying Dynamic Aggregate Group Parameters	11-14
Modifying the Dynamic Aggregate Group Name	11-14
Modifying the Dynamic Aggregate Group Administrative State	11-15
Configuring and Deleting the Dynamic Aggregate Group Actor	
Administrative Key	11-15
Modifying the Dynamic Aggregate Group Actor System Priority	11-16
Modifying the Dynamic Aggregate Group Actor System ID	11-16
Modifying the Dynamic Aggregate Group Partner Administrative Key	11-17

	Modifying the Dynamic Aggregate Group Partner System Priority	11-17
	Modifying the Dynamic Aggregate Group Partner System ID	11-18
	Modifying Dynamic Link Aggregate Actor Port Parameters	11-18
	Modifying the Actor Port System Administrative State	11-19
	Modifying the Actor Port System ID	11-20
	Modifying the Actor Port System Priority	11-21
	Modifying the Actor Port Priority	11-22
	Modifying Dynamic Aggregate Partner Port Parameters	11-23
	Modifying the Partner Port System Administrative State	11-23
	Modifying the Partner Port Administrative Key	11-25
	Modifying the Partner Port System ID	11-25
	Modifying the Partner Port System Priority	11-26
	Modifying the Partner Port Administrative Status	11-27
	Modifying the Partner Port Priority	11-27
	Application Examples	11-29
	Sample Network Overview	11-29
	Link Aggregation and Spanning Tree Example	11-30
	Link Aggregation and QoS Example	11-31
	Displaying Dynamic Link Aggregation Configuration and Statistics	11-33
Chapter 12	Configuring IP	12-1
	In This Chapter	12-1
	IP Specifications	12-2
	IP Defaults	12-2
	Quick Steps for Configuring IP Forwarding	12-2
	IP Overview	12-3
	IP Protocols	12-3
	Transport Protocols	12-3
	Application-Layer Protocols	12-4
	Additional IP Protocols	12-4
	IP Forwarding	12-5
	Creating an IP Router Port	12-5
	Creating a Static Route	12-6
	Creating a Default Route	12-6
	Configuring Address Resolution Protocol (ARP)	12-7
	Adding a Permanent Entry to the ARP Table	12-7
	Deleting a Permanent Entry from the ARP Table	12-8
	Clearing a Dynamic Entry from the ARP Table	12-8
	IP Configuration	12-9
	Configuring the Router Primary Address	12-9
	Configuring the Router ID	12-9
	Configuring the Time-to-Live (TTL) Value	12-9
	IP-Directed Broadcasts	12-10
	Denial of Service (DoS) Filtering	12-10
	Enabling/Disabling IP Services	12-13

Managing IP	12-15
Internet Control Message Protocol (ICMP)	12-15
ICMP Control Table	12-18
ICMP Statistics Table	12-18
Using the Ping Command	12-19
Tracing an IP Route	12-19
Displaying TCP Information	12-19
Displaying UDP Information	12-20
Verifying the IP Configuration	12-20

Chapter 13

Configuring RIP	13-1
In This Chapter	13-1
RIP Specifications	13-2
RIP Defaults	13-2
Quick Steps for Configuring RIP Routing	13-3
RIP Overview	13-4
RIP Version 2	13-5
RIP Routing	13-5
Loading RIP	13-6
Enabling RIP	13-6
Creating a RIP Interface	13-7
Enabling a RIP Interface	13-7
Configuring the RIP Interface Send Option	13-7
Configuring the RIP Interface Receive Option	13-8
Configuring the RIP Interface Metric	13-8
Configuring the RIP Interface Route Tag	13-8
RIP Options	13-9
Configuring the RIP Forced Hold-down Interval	13-9
Enabling a RIP Host Route	13-9
RIP Redistribution	13-9
Enabling RIP Redistribution	13-10
Configuring a RIP Redistribution Policy	13-10
Configuring a Redistribution Metric	13-11
Configuring a RIP Redistribution Filter	13-11
Creating a Redistribution Filter	13-12
Configuring a Redistribution Filter Action	13-12
Configuring a Redistribution Filter Metric	13-13
Configuring the Redistribution Filter Route Control Action	13-13
Configuring a Redistribution Filter Route Tag	13-13
RIP Security	13-14
Configuring Authentication Type	13-14
Configuring Passwords	13-15
Verifying the RIP Configuration	13-15

Chapter 14	Configuring RDP	14-1
	In This Chapter	14-1
	RDP Specifications	14-2
	RDP Defaults	14-2
	Quick Steps for Configuring RDP	14-3
	RDP Overview	14-5
	RDP Interfaces	14-6
	Security Concerns	14-7
	Enabling/Disabling RDP	14-8
	Creating an RDP Interface	14-8
	Specifying an Advertisement Destination Address	14-9
	Defining the Advertisement Interval	14-9
	Setting the Maximum Advertisement Interval	14-9
	Setting the Minimum Advertisement Interval	14-9
	Setting the Advertisement Lifetime	14-10
	Setting the Preference Levels for Router IP Addresses	14-10
	Verifying the RDP Configuration	14-11
Chapter 15	Configuring DHCP Relay	15-1
	In This Chapter	15-1
	DHCP Relay Specifications	15-2
	DHCP Relay Defaults	15-2
	Quick Steps for Setting Up DHCP Relay	15-3
	DHCP Relay Overview	15-4
	DHCP	15-4
	DHCP and the OmniSwitch	15-5
	DHCP Relay and Authentication	15-5
	External DHCP Relay Application	15-5
	Internal DHCP Relay	15-7
	DHCP Relay Implementation	15-8
	Global DHCP	15-8
	Setting the IP Address	15-8
	Per-VLAN DHCP	15-9
	Identifying the VLAN	15-9
	Enabling BOOTP/DHCP Relay	15-9
	Setting the Forward Delay	15-10
	Setting Maximum Hops	15-10
	Setting the Relay Forwarding Option	15-10
	Using Automatic IP Configuration	15-11
	Enabling Automatic IP Configuration	15-11
	Verifying the DHCP Relay Configuration	15-12

Chapter 16	Configuring VRRP	16-1
	In This Chapter	16-1
	VRRP Specifications	16-2
	VRRP Defaults	16-2
	Quick Steps for Creating a Virtual Router	16-3
	VRRP Overview	16-4
	Why Use VRRP?	16-5
	Definition of a Virtual Router	16-5
	VRRP MAC Addresses	16-6
	ARP Requests	16-6
	ICMP Redirects	16-6
	VRRP Startup Delay	16-6
	VRRP Tracking	16-7
	Interaction With Other Features	16-7
	Configuration Overview	16-8
	Basic Virtual Router Configuration	16-8
	Creating a Virtual Router	16-8
	Specifying an IP Address for a Virtual Router	16-9
	Configuring the Advertisement Interval	16-10
	Configuring Virtual Router Priority	16-10
	Setting Preemption for Virtual Routers	16-11
	Configuring VRRP Authentication	16-11
	Enabling/Disabling a Virtual Router	16-12
	Setting VRRP Traps	16-13
	Setting VRRP Startup Delay	16-13
	Creating Tracking Policies	16-14
	Associating a Tracking Policy With a Virtual Router	16-14
	Verifying the VRRP Configuration	16-15
	VRRP Application Example	16-16
	VRRP Tracking Example	16-18
Chapter 17	Managing Authentication Servers	17-1
	In This Chapter	17-1
	Authentication Server Specifications	17-2
	Server Defaults	17-3
	RADIUS Authentication Servers	17-3
	LDAP Authentication Servers	17-3
	Quick Steps For Configuring Authentication Servers	17-4
	Server Overview	17-5
	Backup Authentication Servers	17-5
	Authenticated Switch Access	17-5
	Authenticated VLANs	17-6
	Port-Based Network Access Control (802.1X)	17-7

ACE/Server	17-8
Clearing an ACE/Server Secret	17-8
RADIUS Servers	17-9
RADIUS Server Attributes	17-9
Standard Attributes	17-9
Vendor-Specific Attributes for RADIUS	17-11
Configuring Functional Privileges on the Server	17-12
RADIUS Accounting Server Attributes	17-13
Configuring the RADIUS Client	17-14
LDAP Servers	17-15
Setting Up the LDAP Authentication Server	17-15
LDAP Server Details	17-16
LDIF File Structure	17-16
Common Entries	17-16
Directory Entries	17-17
Directory Searches	17-18
Retrieving Directory Search Results	17-18
Directory Modifications	17-18
Directory Compare and Sort	17-19
The LDAP URL	17-19
Password Policies and Directory Servers	17-20
Directory Server Schema for LDAP Authentication	17-21
Vendor-Specific Attributes for LDAP Servers	17-21
LDAP Accounting Attributes	17-22
Dynamic Logging	17-24
Configuring the LDAP Authentication Client	17-25
Creating an LDAP Authentication Server	17-26
Modifying an LDAP Authentication Server	17-26
Setting Up SSL for an LDAP Authentication Server	17-26
Removing an LDAP Authentication Server	17-27
Verifying the Authentication Server Configuration	17-27
Chapter 18	
Configuring Authenticated VLANs	18-1
In This Chapter	18-1
Authenticated Network Overview	18-2
AVLAN Configuration Overview	18-4
Sample AVLAN Configuration	18-5
Setting Up Authentication Clients	18-7
Telnet Authentication Client	18-7
Web Browser Authentication Client	18-7
Configuring the Web Browser Client Language File	18-8
Required Files for Web Browser Clients	18-8
SSL for Web Browser Clients	18-11
DNS Name and Web Browser Clients	18-11
Installing the AV-Client	18-12
Loading the Microsoft DLC Protocol Stack	18-12
Loading the AV-Client Software	18-13
Setting the AV-Client as Primary Network Login	18-18

Configuring the AV-Client Utility	18-18
Logging Into the Network Through an AV-Client	18-21
Logging Off the AV-Client	18-22
Configuring the AV-Client for DHCP	18-23
Configuring Authenticated VLANs	18-26
Removing a User From an Authenticated Network	18-26
Configuring Authentication IP Addresses	18-27
Setting Up the Default VLAN for Authentication Clients	18-27
Port Binding and Authenticated VLANs	18-28
Configuring Authenticated Ports	18-28
Setting Up a DNS Path	18-29
Setting Up the DHCP Server	18-29
Enabling DHCP Relay for Authentication Clients	18-30
Configuring a DHCP Gateway for the Relay	18-31
Configuring the Server Authority Mode	18-32
Configuring Single Mode	18-32
Configuring Multiple Mode	18-34
Specifying Accounting Servers	18-35
Verifying the AVLAN Configuration	18-36
Chapter 19	
Configuring 802.1X	19-1
In This Chapter	19-1
802.1X Specifications	19-2
802.1X Defaults	19-2
Quick Steps for Configuring 802.1X	19-4
802.1X Overview	19-5
802.1X Port Behavior	19-5
802.1X Ports and DHCP	19-6
Re-authentication	19-6
802.1X Accounting	19-6
Compared to Authenticated VLANs	19-7
Setting Up Port-Based Network Access Control	19-8
Setting 802.1X Switch Parameters	19-8
Enabling 802.1X on Ports	19-8
Configuring 802.1X Port Parameters	19-9
Configuring the Port Control Direction	19-9
Configuring the Port Authorization	19-9
Configuring 802.1X Port Timeouts	19-9
Configuring the Maximum Number of Requests	19-10
Re-authenticating an 802.1X Port	19-10
Initializing an 802.1X Port	19-11
Configuring Accounting for 802.1X	19-11
Verifying the 802.1X Port Configuration	19-11

Chapter 20	Managing Policy Servers	20-1
	In This Chapter	20-1
	Policy Server Specifications	20-2
	Policy Server Defaults	20-2
	Policy Server Overview	20-3
	Installing the LDAP Policy Server	20-3
	Modifying Policy Servers	20-4
	Modifying LDAP Policy Server Parameters	20-4
	Disabling the Policy Server From Downloading Policies	20-4
	Modifying the Port Number	20-5
	Modifying the Policy Server Username and Password	20-5
	Modifying the Searchbase	20-5
	Configuring a Secure Socket Layer for a Policy Server	20-6
	Loading Policies From an LDAP Server	20-6
	Removing LDAP Policies From the Switch	20-6
	Interaction With CLI Policies	20-7
	Verifying the Policy Server Configuration	20-7
Chapter 21	Configuring QoS	21-1
	In This Chapter	21-1
	QoS Specifications	21-2
	QoS General Overview	21-3
	QoS Policy Overview	21-4
	How Policies Are Used	21-4
	Valid Policies	21-4
	Interaction With Other Features	21-5
	Condition Combinations	21-6
	Action Combinations	21-7
	QoS Defaults	21-8
	Global QoS Defaults	21-8
	QoS Port Defaults	21-9
	Policy Rule Defaults	21-9
	Policy Action Defaults	21-10
	Default (Built-in) Policies	21-10
	QoS Configuration Overview	21-11
	Configuring Global QoS Parameters	21-12
	Enabling/Disabling QoS	21-12
	Setting the Global Default Dispositions	21-12
	Setting the Global Default Servicing Mode	21-13
	Using the QoS Log	21-13
	What Kind of Information Is Logged	21-13
	Number of Lines in the QoS Log	21-14
	Log Detail Level	21-14

Forwarding Log Events to PolicyView	21-14
Forwarding Log Events to the Console	21-15
Displaying the QoS Log	21-15
Clearing the QoS Log	21-16
Classifying Bridged Traffic as Layer 3	21-16
Setting the Statistics Interval	21-16
Returning the Global Configuration to Defaults	21-16
Verifying Global Settings	21-17
QoS Ports and Queues	21-18
Shared Queues	21-18
Configuring Queuing Schemes	21-18
Configuring the Servicing Mode for a Port	21-19
Queue Mapping Tables	21-19
Trusted and Untrusted Ports	21-20
Configuring Trusted Ports	21-21
Using Trusted Ports With Policies	21-21
Verifying the QoS Port and Queue Configuration	21-22
Creating Policies	21-23
Quick Steps for Creating Policies	21-23
ASCII-File-Only Syntax	21-24
Creating Policy Conditions	21-25
Removing Condition Parameters	21-25
Deleting Policy Conditions	21-26
Creating Policy Actions	21-26
Removing Action Parameters	21-27
Deleting a Policy Action	21-27
Creating Policy Rules	21-27
Disabling Rules	21-28
Rule Precedence	21-28
Saving Rules	21-29
Logging Rules	21-30
Deleting Rules	21-30
Verifying Policy Configuration	21-31
Testing Conditions	21-32
Using Condition Groups in Policies	21-34
ACLs	21-34
Sample Group Configuration	21-34
Creating Network Groups	21-35
Creating Services	21-36
Creating Service Groups	21-37
Creating MAC Groups	21-38
Creating Port Groups	21-39
Port Groups and Minimum/Maximum Bandwidth	21-40
Verifying Condition Group Configuration	21-42
Using Map Groups	21-43
Sample Map Group Configuration	21-43
How Map Groups Work	21-44
Creating Map Groups	21-44
Verifying Map Group Configuration	21-45

Applying the Configuration	21-46
Deleting the Pending Configuration	21-47
Flushing the Configuration	21-47
Interaction With LDAP Policies	21-48
Verifying the Applied Policy Configuration	21-48
Policy Applications	21-49
Basic QoS Policies	21-49
Basic Commands	21-50
Traffic Prioritization Example	21-50
Bandwidth Shaping Example	21-50
ICMP Policy Example	21-51
802.1p and ToS/DSCP Marking and Mapping	21-51
Chapter 22 Configuring ACLs	22-1
In This Chapter	22-1
ACL Specifications	22-2
ACL Defaults	22-2
Quick Steps for Creating ACLs	22-3
ACL Overview	22-4
Rule Precedence	22-5
Example: Rules With Compatible Actions	22-5
Example: Rules With Conflicting Actions	22-6
Interaction With Other Features	22-6
Valid Combinations	22-6
ACL Configuration Overview	22-7
Setting the Global Disposition	22-7
Creating Condition Groups For ACLs	22-8
Configuring ACLs	22-8
Creating Policy Conditions For ACLs	22-9
Creating Policy Actions For ACLs	22-9
Creating Policy Rules for ACLs	22-10
Layer 2 ACLs	22-10
Layer 2 ACL Example	22-11
Layer 3 ACLs	22-11
Layer 3 ACL: Example 1	22-12
Layer 3 ACL: Example 2	22-12
Multicast Filtering ACLs	22-12
Verifying the ACL Configuration	22-13
ACL Application Example	22-15
Chapter 23 Configuring IP Multicast Switching	23-1
In This Chapter	23-1
IPMS Specifications	23-2
IPMS Default Values	23-2

IPMS Overview	23-3
IPMS Example	23-3
Reserved Multicast Addresses	23-4
IP Multicast Routing	23-4
PIM-SM	23-5
DVMRP	23-5
IPMS and Link Aggregation	23-5
IGMP Version 3	23-5
Configuring IPMS on a Switch	23-7
Enabling and Disabling IPMS on a Switch	23-7
Enabling IPMS	23-7
Disabling IPMS	23-7
Configuring the IGMP Proxy Version	23-8
Configuring IGMP Proxy Version 3	23-8
Configuring IGMP Proxy Version 2	23-8
Configuring and Removing a Static Neighbor	23-8
Configuring a Static Neighbor	23-8
Removing a Static Neighbor	23-9
Configuring and Removing a Static Querier	23-9
Configuring a Static Querier	23-9
Removing a Static Querier	23-10
Configuring and Removing a Static Member	23-10
Configuring a Static Member	23-10
Removing a Static Member	23-10
Modifying IPMS Parameters	23-11
Modifying the Leave Timeout	23-11
Configuring the Leave Timeout	23-11
Restoring the Leave Timeout	23-11
Modifying the Query Interval	23-11
Configuring the Query Interval	23-11
Restoring the Query Interval	23-11
Modifying the Membership Timeout	23-11
Configuring the Membership Timeout	23-12
Restoring the Membership Timeout	23-12
Modifying the Neighbor Timeout	23-12
Configuring the Neighbor Timeout	23-12
Restoring the Neighbor Timeout	23-12
Modifying the Querier Timeout	23-12
Configuring the Querier Timeout	23-12
Restoring the Querier Timeout	23-13
Modifying the Querier Aging and Election Timeout	23-13
Configuring the Querier Aging and Election Timeout	23-13
Restoring the Querier Aging and Election Timeout	23-13
Modifying the Multicast Priority	23-13
Configuring the Multicast Priority	23-13
Restoring the Multicast Priority	23-13
Modifying the Maximum Ingress Bandwidth	23-14
Configuring the Maximum Ingress Bandwidth	23-14
Restoring the Maximum Ingress	23-14

IPMS Application Example	23-15
Displaying IPMS Configurations and Statistics	23-17
Chapter 24 Diagnosing Switch Problems	24-1
In This Chapter	24-1
Port Mirroring	24-3
Port Mirroring Specifications	24-3
Port Mirroring Defaults	24-3
Quick Steps for Configuring Port Mirroring	24-4
Remote Monitoring (RMON)	24-5
RMON Specifications	24-5
RMON Probe Defaults	24-6
Quick Steps for Enabling/Disabling RMON Probes	24-6
Switch Health	24-7
Switch Health Specifications	24-7
Switch Health Defaults	24-8
Quick Steps for Configuring Switch Health	24-8
Port Mirroring	24-9
What Ports Can Be Mirrored?	24-9
How Port Mirroring Works	24-9
What Happens to the Mirroring Port	24-10
Using Port Mirroring with External RMON Probes	24-10
Creating a Mirroring Session	24-11
Unblocking Ports (Protection from Spanning Tree)	24-12
Enabling or Disabling Mirroring Status	24-12
Creating a Mirroring Session and Enabling Mirroring Status	24-13
Disabling a Mirroring Session (Disabling Mirroring Status)	24-13
Configuring Port Mirroring Direction	24-13
Enabling or Disabling a Port Mirroring Session (Shorthand)	24-14
Displaying Port Mirroring Status	24-15
Deleting A Mirroring Session	24-15
Remote Monitoring (RMON)	24-16
Ethernet Statistics	24-17
History (Control & Statistics)	24-17
Alarm	24-17
Event	24-17
Enabling or Disabling RMON Probes	24-18
Displaying RMON Tables	24-19
Displaying a List of RMON Probes	24-19
Displaying Statistics for a Particular RMON Probe	24-20
Sample Display for Ethernet Statistics Probe	24-20
Sample Display for History Probe	24-21
Sample Display for Alarm Probe	24-21
Displaying a List of RMON Events	24-22
Displaying a Specific RMON Event	24-22

Monitoring Switch Health	24-23
Configuring Resource and Temperature Thresholds	24-25
Displaying Health Threshold Limits	24-26
Configuring Sampling Intervals	24-27
Viewing Sampling Intervals	24-27
Viewing Health Statistics for the Switch	24-28
Viewing Health Statistics for a Specific Interface	24-29
Resetting Health Statistics for the Switch	24-29
Chapter 25 Using Switch Logging	25-1
In This Chapter	25-1
Switch Logging Specifications	25-2
Switch Logging Defaults	25-3
Quick Steps for Configuring Switch Logging	25-4
Switch Logging Overview	25-5
Switch Logging Commands Overview	25-6
Enabling Switch Logging	25-6
Setting the Switch Logging Severity Level	25-6
Specifying the Severity Level	25-8
Removing the Severity Level	25-9
Specifying the Switch Logging Output Device	25-9
Enabling/Disabling Switch Logging Output to the Console	25-9
Enabling/Disabling Switch Logging Output to Flash Memory	25-9
Specifying an IP Address for Switch Logging Output	25-9
Disabling an IP Address from Receiving Switch Logging Output	25-10
Displaying Switch Logging Status	25-10
Configuring the Switch Logging File Size	25-11
Clearing the Switch Logging Files	25-11
Displaying Switch Logging Records	25-12
Chapter 26 Monitoring Memory	26-1
In This Chapter	26-1
Memory Monitoring Specifications	26-2
Memory Monitoring Defaults	26-2
Quick Steps for Configuring Memory Monitoring	26-3
Debug Memory Commands Overview	26-4
Configuring Debug Memory Commands	26-4
Enabling/Disabling Memory Monitoring Functions	26-4
Displaying the Memory Monitor Log	26-5
Displaying the Memory Monitor Global Statistics	26-6
Displaying the Memory Monitor Task Statistics	26-7
Displaying the Memory Monitor Size Statistics	26-9

Appendix A	Software License and Copyright Statements	A-1
	Alcatel License Agreement	A-1
	ALCATEL INTERNETWORKING, INC. (“AII”)	
	SOFTWARE LICENSE AGREEMENT	A-1
	Third Party Licenses and Notices	A-4
	A. Booting and Debugging Non-Proprietary Software	A-4
	B. The OpenLDAP Public License: Version 2.4, 8 December 2000	A-4
	C. Linux	A-5
	D. GNU GENERAL PUBLIC LICENSE: Version 2, June 1991	A-5
	E. University of California	A-10
	F. Carnegie-Mellon University	A-10
	G. Random.c	A-10
	H. Apptitude, Inc.	A-11
	I. Agranat	A-11
	J. RSA Security Inc.	A-11
	K. Sun Microsystems, Inc.	A-11
	L. Wind River Systems, Inc.	A-12
	M. Network Time Protocol Version 4	A-12
	Index	Index-1

About This Guide

This *OmniSwitch 6800 Series Network Configuration Guide* describes how to set up and monitor software features that will allow your switch to operate in a live network environment. The software features described in this manual are shipped standard with your OmniSwitch 6800 Series switch. These features are used when setting up your OmniSwitch in a network of switches and routers.

Supported Platforms

This information in this guide applies to the following products:

- OmniSwitch 6800-24
- OmniSwitch 6800-48

The OmniSwitch 6800-24 switch has 20 unshared auto-sensing and auto-MDIX copper RJ-45 10/100/1000 Mbps ports (ports 1–20) and four combo ports (ports 21–24) that are shared between four copper RJ-45 10/100/1000 Mbps ports and four SFP 1000 Mbps (1Gbps) ports. The OmniSwitch 6800-48 switch has 44 unshared auto-sensing and auto-MDIX copper RJ-45 10/100/1000 Mbps ports (ports 1–44) and four combo ports (ports 45–48) that are shared between four copper RJ-45 10/100/1000 Mbps ports and four SFP 1000 Mbps (1Gbps) ports.

In addition, OmniSwitch 6800 Series switches offer fixed stacking ports. The stacking ports on OmniSwitch 6800 Series switches allow two to eight switches to be assembled and managed as one virtual chassis known as a *stack*.

Unsupported Platforms

The information in this guide does not apply to the following products:

- OmniSwitch (original version with no numeric model name)
- OmniSwitch 6624
- OmniSwitch 6648
- OmniSwitch 6600-U24
- OmniSwitch 6600-P24
- OmniSwitch 6602-24
- OmniSwitch 6602-48
- OmniSwitch 7700
- OmniSwitch 7800
- OmniSwitch 8800
- Omni Switch/Router
- OmniStack
- OmniAccess

Who Should Read this Manual?

The audience for this user guide is network administrators and IT support personnel who need to configure, maintain, and monitor switches and routers in a live network. However, anyone wishing to gain knowledge on how fundamental software features are implemented in the OmniSwitch 6800 Series will benefit from the material in this configuration guide.

When Should I Read this Manual?

Read this guide as soon as you are ready to integrate your OmniSwitch into your network of switches and routers. You should already be familiar with the basics of managing a single OmniSwitch as described in the *OmniSwitch 6800 Series Switch Management Guide*.

The topics and procedures in this manual assume an understanding of the OmniSwitch stacking, directory structure, and basic switch administration commands and procedures. This manual will help you set up your switches to communicate with other switches in the network. The topics in this guide include VLANs, authentication, and Quality of Service (QoS)—features that are typically deployed in a multi-switch environment.

What is in this Manual?

This configuration guide includes information about configuring the following features:

- VLANs, VLAN router ports, mobile ports, and VLAN rules.
- Basic Layer 2 functions, such as Ethernet port parameters, source learning, Spanning Tree, and Alcatel interswitch protocols (AMAP and GMAP).
- Advanced Layer 2 functions, such as 802.1Q tagging, Link Aggregation, and IP Multicast Switching.
- Basic routing protocols and functions, such as static IP routes, RIP, DHCP Relay, and Virtual Router Redundancy Protocol (VRRP).
- Security features, such as switch access control, Authenticated VLANs (AVLANs), authentication servers, and policy management.
- Quality of Service (QoS) and Access Control Lists (ACLs) features, such as policy rules for prioritizing and filtering traffic, remapping packet headers, and network address translation.
- Diagnostic tools, such as RMON, port mirroring, and switch logging.

What is Not in this Manual?

The configuration procedures in this manual use Command Line Interface (CLI) commands in all examples. CLI commands are text-based commands used to manage the switch through serial (console port) connections or via Telnet sessions. Procedures for other switch management methods, such as web-based (WebView or OmniVista) or SNMP, are outside the scope of this guide.

For information on WebView and SNMP switch management methods consult the *OmniSwitch 6800 Series Switch Management Guide*. Information on using WebView and OmniVista can be found in the context-sensitive on-line help available with those network management applications.

This guide provides overview material on software features, how-to procedures, and application examples that will enable you to begin configuring your OmniSwitch. It is not intended as a comprehensive reference to all CLI commands available in the OmniSwitch. For such a reference to all OmniSwitch 6800 Series CLI commands, consult the *OmniSwitch CLI Reference Guide*.

How is the Information Organized?

Chapters in this guide are broken down by software feature. The titles of each chapter include protocol or features names (e.g., 802.1Q) with which most network professionals will be familiar.

Each software feature chapter includes sections that will satisfy the information requirements of casual readers, rushed readers, serious detail-oriented readers, advanced users, and beginning users.

Quick Information. Most chapters include a *specifications table* that lists RFCs and IEEE specifications supported by the software feature. In addition, this table includes other pertinent information such as minimum and maximum values and sub-feature support. Most chapters also include a *defaults table* that lists the default values for important parameters along with the CLI command used to configure the parameter. Many chapters include a *Quick Steps* section, which is a procedure covering the basic steps required to get a software feature up and running.

In-Depth Information. All chapters include *overview sections* on the software feature as well as on selected topics of that software feature. *Topical sections* may often lead into *procedure sections* that describe how to configure the feature just described. Serious readers and advanced users will also find the many *application examples*, located near the end of chapters, helpful. Application examples include diagrams of real networks and then provide solutions using the CLI to configure a particular feature, or more than one feature, within the illustrated network.

Documentation Roadmap

The OmniSwitch user documentation suite was designed to supply you with information at several critical junctures of the configuration process. The following section outlines a roadmap of the manuals that will help you at each stage of the configuration process. Under each stage, we point you to the manual or manuals that will be most helpful to you.

Stage 1: Using the Switch for the First Time

Pertinent Documentation: *OmniSwitch 6800 Series Getting Started Guide*
Release Notes

The *OmniSwitch 6800 Series Getting Started Guide* provides all the information you need to get your switch up and running the first time. This guide provides information on unpacking the switch, rack mounting the switch, installing stacking cables, installing backup power supplies, unlocking access control, setting the switch's IP address, setting up a password, and setting up stacks. It also includes succinct overview information on fundamental aspects of the switch, such as hardware LEDs, the software directory structure, stacking, CLI conventions, and web-based management.

At this time you should also familiarize yourself with the Release Notes that accompanied your switch. This document includes important information on feature limitations that are not included in other user guides.

Stage 2: Gaining Familiarity with Basic Switch Functions

Pertinent Documentation: *OmniSwitch 6800 Series Hardware Users Guide*
OmniSwitch 7700/7800 Switch Management Guide

Once you have your switch up and running, you will want to begin investigating basic aspects of its hardware and software. Information about OmniSwitch 6800 Series hardware is provided in the *OmniSwitch 6800 Series Hardware Users Guide*. This guide provides specifications, illustrations, and descriptions of all hardware components—chassis, power supplies, and cooling fans. It also include steps for common procedures, such as removing and installing switch components.

The *OmniSwitch 6800 Series Switch Management Guide* is the primary user guide for the basic software features on a single switch. This guide contains information on the switch directory structure, basic file and directory utilities, switch access security, SNMP, and web-based management. It is recommended that you read this guide before connecting your switch to the network.

Stage 3: Integrating the Switch Into a Network

Pertinent Documentation: *OmniSwitch 6800 Series Network Configuration Guide*
OmniSwitch 6800 Series Advanced Routing Configuration Guide

When you are ready to connect your switch to the network, you will need to learn how the OmniSwitch implements fundamental software features, such as 802.1Q, VLANs, Spanning Tree, and network routing protocols. The *OmniSwitch 6800 Series Network Configuration Guide* contains overview information, procedures, and examples on how standard networking technologies are configured in the OmniSwitch 6800 Series.

The *OmniSwitch 6800 Series Advanced Routing Configuration Guide* includes configuration information for networks using advanced routing technologies (OSPF) and multicast routing protocols (DVMRP and PIM-SM).

Anytime

The *OmniSwitch CLI Reference Guide* contains comprehensive information on all CLI commands supported by the switch. This guide includes syntax, default, usage, example, related CLI command, and CLI-to-MIB variable mapping information for all CLI commands supported by the switch. This guide can be consulted anytime during the configuration process to find detailed and specific information on each CLI command.

Related Documentation

The following are the titles and descriptions of all the OmniSwitch 6800 Series user manuals:

- *OmniSwitch 6800 Series Getting Started Guide*

Describes the hardware and software procedures for getting an OmniSwitch 6800 Series switch up and running. Also provides information on fundamental aspects of OmniSwitch software and stacking architecture.

- *OmniSwitch 6800 Series Hardware Users Guide*

Detailed technical specifications and procedures for the OmniSwitch 6800 Series chassis and components. This manual also includes comprehensive information on assembling and managing stacked configurations.

- *OmniSwitch CLI Reference Guide*

Complete reference to all CLI commands supported on the OmniSwitch 6600, 6800, 7700, 7800, and 8800. Includes syntax definitions, default values, examples, usage guidelines and CLI-to-MIB variable mappings.

- *OmniSwitch 6800 Series Switch Management Guide*

Includes procedures for readying an individual switch for integration into a network. Topics include the software directory architecture, image rollback protections, authenticated switch access, managing switch files, system configuration, using SNMP, and using web management software (WebView).

- *OmniSwitch 6800 Series Network Configuration Guide*

Includes network configuration procedures and descriptive information on all the major software features and protocols included in the base software package. Chapters cover Layer 2 information (Ethernet and VLAN configuration), Layer 3 information (routing protocols, such as RIP), security options (authenticated VLANs), Quality of Service (QoS), and link aggregation.

- *OmniSwitch 6800 Series Advanced Routing Configuration Guide*

Includes network configuration procedures and descriptive information on all the software features and protocols included in the advanced routing software package. Chapters cover multicast routing (DVMRP and PIM-SM), and OSPF.

- Technical Tips, Field Notices

Includes information published by Alcatel's Customer Support group.

- *Release Notes*

Includes critical Open Problem Reports, feature exceptions, and other important information on the features supported in the current release and any limitations to their support.

User Manual CD

All user guides for the OmniSwitch 6800 Series are included on the User Manual CD that accompanied your switch. This CD also includes user guides for other Alcatel data enterprise products. In addition, it contains a stand-alone version of the on-line help system that is embedded in the OmniVista network management application.

Besides the OmniVista documentation, all documentation on the User Manual CD is in PDF format and requires the Adobe Acrobat Reader program for viewing. Acrobat Reader freeware is available at www.adobe.com.

Note. In order to take advantage of the documentation CD's global search feature, it is recommended that you select the option for *searching PDF files* before downloading Acrobat Reader freeware.

To verify that you are using Acrobat Reader with the global search option, look for the following button in the toolbar:



Note. When printing pages from the documentation PDFs, de-select Fit to Page if it is selected in your print dialog. Otherwise pages may print with slightly smaller margins.

Technical Support

An Alcatel service agreement brings your company the assurance of 7x24 no-excuses technical support. You'll also receive regular software updates to maintain and maximize your Alcatel product's features and functionality and on-site hardware replacement through our global network of highly qualified service delivery partners. Additionally, with 24-hour-a-day access to Alcatel's Service and Support web page, you'll be able to view and update any case (open or closed) that you have reported to Alcatel's technical support, open a new case or access helpful release notes, technical bulletins, and manuals. For more information on Alcatel's Service Programs, see our web page at eservice.ind.alcatel.com, call us at 1-800-995-2696, or email us at support@ind.alcatel.com.

1 Configuring Ethernet Ports

The Ethernet software is responsible for a variety of functions that support the Ethernet and Gigabit Ethernet ports on OmniSwitch 6800 Series switches. These functions include diagnostics, software loading, initialization, configuration of line parameters, gathering statistics, and responding to administrative requests from SNMP or CLI.

In This Chapter

This chapter describes your switch's Ethernet port parameters and how to configure them through the Command Line Interface (CLI). CLI Commands are used in the configuration examples. For more details about the syntax of commands, see the *OmniSwitch CLI Reference Guide*.

Configuration procedures described in this chapter include:

- [“Setting Ethernet Parameters for All Port Types” on page 1-7](#)
- [“Setting Ethernet Parameters for Non Combo Ports” on page 1-13](#)
- [“Setting Combo Ethernet Port Parameters” on page 1-17](#)
- [“Combo Port Application Example” on page 1-24](#)

For information about CLI commands that can be used to view Ethernet port parameters, see the *OmniSwitch CLI Reference Guide*.

Ethernet Specifications

IEEE Standards Supported	802.3 Carrier Sense Multiple Access with Collision Detection (CSMA/CD)
Ports Supported	Ethernet (10 Mbps) Fast Ethernet (100 Mbps) Gigabit Ethernet (1 Gb/1000 Mbps).
Switching/Routing Support	Layer 2 Switching/Layer 3 Routing
Backbone Support	Fast Ethernet and Gigabit Ethernet ports
Port Mirroring Support	Fast Ethernet and Gigabit Ethernet ports
802.1Q Hardware Tagging	Fast Ethernet and Gigabit Ethernet ports
Maximum Frame Size	1553 bytes

Ethernet Port Defaults (All Port Types)

The following table shows Ethernet port default values.

Parameter Description	Command	Default Value/Comments
Trap Port Link Messages	trap port link	Disabled
Flow Control	N/A	Enabled
Interface Configuration	interfaces admin	Up (Enabled)
Maximum Flood Rate (for Broadcast Traffic)	interfaces flood	Enable
Maximum Flood Rate (for Multicast Traffic)	interfaces flood multicast	Disable
Peak Flood Rate Configuration	interfaces flood rate	42 Mbps (Fast Ethernet) 496 Mbps (Gigabit Ethernet)
Interface Alias	interfaces alias	None configured
Inter-Frame Gap	interfaces ifg	12 bytes
Maximum Frame Size	interfaces max frame	1553 (untagged) Ethernet packets 1553 (tagged) Ethernet packets 9216 Gigabit Ethernet packets

10/100/1000 Ethernet Port Defaults

The following table shows Ethernet port default values.

Parameter Description	Command	Default Value/Comments
Interface Line Speed	<code>interfaces speed</code>	Auto
Duplex Mode	<code>interfaces duplex</code>	Auto (copper ports)/Full (fiber ports)
Auto negotiation	<code>interfaces autoneg</code>	Enable
Crossover	<code>interfaces crossover</code>	Auto for all copper ports; Disable for all fiber modules

Combo Ethernet Port Defaults

The following table shows combo Ethernet port default values.

Parameter Description	Command	Default Value/Comments
Preferred fiber	<code>interfaces hybrid preferred-fiber</code>	Preferred fiber
Forced fiber	<code>interfaces hybrid forced-fiber</code>	
Preferred copper	<code>interfaces hybrid preferred-copper</code>	
Forced copper	<code>interfaces hybrid forced-copper</code>	
Flow (pause)	<code>interfaces hybrid speed</code>	Disabled
Interface Line Speed	<code>interfaces hybrid speed</code>	Auto
Duplex Mode	<code>interfaces hybrid duplex</code>	Auto
Auto negotiation	<code>interfaces hybrid autoneg</code>	Enable
Crossover	<code>interfaces hybrid crossover</code>	Auto for all copper ports; Disable for all fiber modules

Ethernet Ports Overview

This chapter describes the Ethernet software CLI commands used for configuring and monitoring your switch's Ethernet port parameters. These commands allow you to handle administrative or port-related requests to and from SNMP, the CLI, or WebView.

OmniSwitch 6800 Series Combo Ports

All OmniSwitch 6800 Series switches have four ports that are shared between four copper 10/100/1000 RJ-45 connections and four fiber 1 Gbps SFP slots, which can accept any qualified 1 Gbps SFP transceivers. These ports are known as *combo* ports (also sometimes referred to as “hybrid” ports).

You can use either the copper 10/100/1000 port or the equivalent fiber SFP port but not both at the same time. By default, combo ports are set to *preferred fiber*, which means that the OmniSwitch 6800 Series switch will use the fiber SFP port instead of the equivalent copper RJ-45 port if both ports are enabled and have a valid link. However, if the SFP port goes down the equivalent RJ-45 port will come up. This mode can be used if you want use the fiber connection as your main link while having a copper link as a backup.

For example, on the OmniSwitch 6800-48 ports 45–48 are combo ports. If cables are connected into the copper port 45 and the fiber port 45 the fiber SFP link will be the active one. If the SFP link goes down then the copper port will automatically become active. No user intervention is required.

Note. See [“Valid Port Settings” on page 1-5](#) and [“OmniSwitch 6800 Series Chassis” on page 1-5](#) for more information on combo ports on OmniSwitch 6800 Series chassis.

The following three additional optional combo port modes are user configurable:

- *Preferred copper.* In this mode, the OmniSwitch 6800 Series switch will use the copper RJ-45 port instead of the equivalent fiber SFP port if both ports are enabled and have a valid link.
- *Forced fiber.* In this mode, the OmniSwitch 6800 Series switch will always use the fiber SFP port instead of the equivalent copper RJ-45 port.
- *Forced copper.* In this mode, the OmniSwitch 6800 Series switch will always use the copper RJ-45 port instead of the equivalent fiber SFP port.

See [“Setting the Combo Port Type and Mode” on page 1-17](#) for more information on configuring combo ports.

Valid Port Settings

This table below lists valid speed, duplex, and auto negotiation settings for the different OmniSwitch 6800 Series port types.

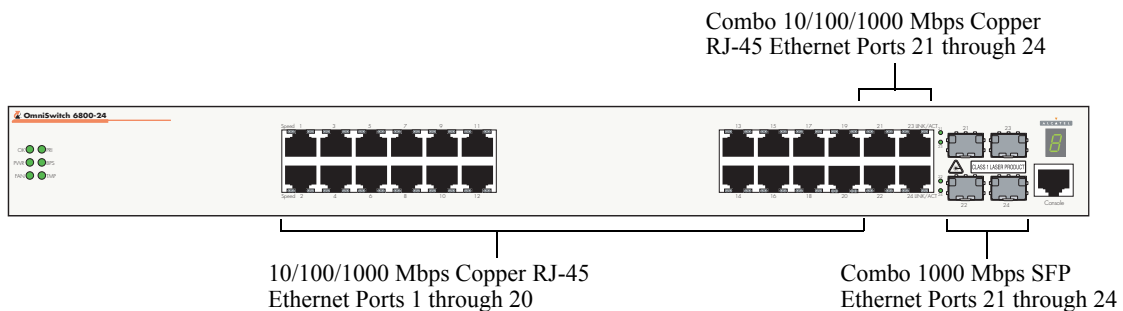
Chassis Type (Port Nos.)	Port Type	User-Specified Port Speed (Mbps) Supported	User-Specified Duplex Supported	Auto Negotiation Supported?
OmniSwitch 6800-24 (ports 1–20)	Copper twisted pair (RJ-45)	auto/10/100/ 1000	auto/full/half	Yes
OmniSwitch 6800-24 (ports 21–24)	Combo copper RJ-45/ Fiber SFP	RJ-45: auto/10/ 100/1000 SFP: 1000	RJ-45: auto/ full/half SFP: full	Yes
OmniSwitch 6800-48 (ports 1–44)	Copper twisted pair (RJ-45)	auto/10/100/ 1000	auto/full/half	Yes
OmniSwitch 6800-48 (ports 45–48)	Combo copper RJ-45/ Fiber SFP	RJ-45: auto/10/ 100/1000 SFP: 1000	RJ-45: auto/ full/half SFP: full	Yes

OmniSwitch 6800 Series Chassis

The following subsections describe the different OmniSwitch 6800 Series chassis available in the current release.

OmniSwitch 6800-24

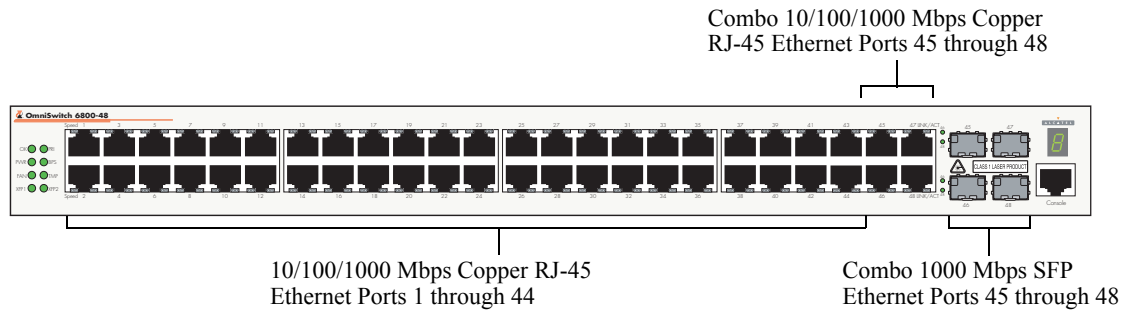
The OmniSwitch 6800-24 stackable workgroup switch has 20 unshared auto-sensing and auto-MDIX copper RJ-45 10/100/1000 Mbps ports (ports 1–20). In addition, the OmniSwitch 6800-24 has four combo ports (ports 21–24) that are shared between four copper RJ-45 10/100/1000 Mbps ports and four SFP 1000 Mbps (1Gbps) ports. See the *OmniSwitch 6800 Series Hardware Users Guide* for more information on OmniSwitch 6800-24 hardware features.



OmniSwitch 6800-24 Front Panel

OmniSwitch 6800-48

The OmniSwitch 6800-48 stackable workgroup switch has 44 unshared auto-sensing and auto-MDIX copper RJ-45 10/100/1000 Mbps ports (ports 1–44). In addition, the OmniSwitch 6800-48 has four combo ports (ports 45–48) that are shared between four copper RJ-45 10/100/1000 Mbps ports and four SFP 1000 Mbps (1Gbps) ports. See the *OmniSwitch 6800 Series Hardware Users Guide* for more information on OmniSwitch 6800-24 hardware features.



OmniSwitch 6800-48 Front Panel

10/100/1000 Crossover Supported

By default, automatic crossover between MDI/MDIX (Media Dependent Interface/Media Dependent Interface with Crossover) media is supported on OmniSwitch 6800 Series 10/100/1000 ports. Therefore, either straight-through or crossover cable can be used between two OmniSwitch 6800 Series switches as long as auto negotiation is configured on both sides of the link. See [“Configuring Auto Negotiation and Crossover Settings” on page 1-15](#) for more information.

Autonegotiation Guidelines

Please note a link will not be established on any copper Ethernet port if any one of the following is true:

- The local port advertises 100 Mbps full duplex and the remote link partner is forced to 100 Mbps full duplex.
- The local port advertises 100 Mbps full duplex and the remote link partner is forced to 100 Mbps half duplex.
- The local port advertises 10 Mbps full duplex and the remote link partner is forced to 10 Mbps full duplex.
- The local port advertises 10 Mbps full duplex and the remote link partner is forced to 10 half duplex.

This is due to the fact that when the local device is set to auto negotiating 10/100 full duplex it senses the remote device is not auto negotiating. Therefore it resolves to Parallel Detect with Highest Common Denominator (HCD), which is “10/100 Half” according to IEEE 802.3 Clause 28.2.3.1.

However, since the local device is set to auto negotiating at 10/100 full duplex it cannot form a 10/100 Mbps half duplex link in any of the above mentioned cases. One solution is to configure the local device to auto negotiation, 10/100 Mbps, with auto or half duplex.

Setting Ethernet Parameters for All Port Types

The following sections describe how to configure Ethernet port parameters using CLI commands that can be used on all port types. See [“Setting Ethernet Parameters for Non Combo Ports”](#) on page 1-13 for information on configuring non combo ports and see [“Setting Combo Ethernet Port Parameters”](#) on page 1-17 for more information on configuring combo ports.

Setting Trap Port Link Messages

The **trap port link** command can be used to enable or disable (the default) trap port link messages on a specific port, a range of ports, or all ports on a switch (slot). When enabled, a trap message will be displayed on a Network Management Station (NMS) whenever the port state has changed.

Enabling Trap Port Link Messages

To enable trap port link messages on an entire switch, enter **trap** followed by the slot number and **port link enable**. For example, to enable trap port link messages on all ports on slot 2 enter:

```
-> trap 2 port link enable
```

To enable trap port link messages on a single port enter **trap** followed by the slot number, a slash (/), the port number, and **port link enable**. For example, to enable trap port link messages on slot 2 port 3 enter:

```
-> trap 2/3 port link enable
```

To enable trap port link messages on a range of ports enter **trap** followed by the slot number, a slash (/), the first port number, a hyphen (-), the last port number, and **port link enable**. For example, to enable trap port link messages ports 3 through 5 on slot 2 enter:

```
-> trap 2/3-5 port link enable
```

Disabling Trap Port Link Messages

To disable trap port link messages on an entire switch, enter **trap** followed by the slot number and **port link disable**. For example, to disable trap port link messages on all ports on slot 2 enter:

```
-> trap 2 port link disable
```

To disable trap port link messages on a single port enter **trap** followed by the slot number, a slash (/), the port number, and **port link disable**. For example, to disable trap port link messages on slot 2 port 3 enter:

```
-> trap 2/3 port link disable
```

To disable trap port link messages on a range of ports enter **trap** followed by the slot number, a slash (/), the first port number, a hyphen (-), the last port number, and **port link disable**. For example, to disable trap port link messages ports 3 through 5 on slot 2 enter:

```
-> trap 2/3-5 port link disable
```

Resetting Statistics Counters

The **interfaces no l2 statistics** command is used to reset all Layer 2 statistics counters on a specific port, a range of ports, or all ports on a switch (slot).

To reset Layer 2 statistics on an entire slot enter **interfaces** followed by the slot number and **no l2 statistics**. For example, to reset all Layer 2 statistics counters on slot 2 enter:

```
-> interfaces 2 no l2 statistics
```

To reset Layer 2 statistics on a single port enter **interfaces** followed by the slot number, a slash (/), the port number, and **no l2 statistics**. For example, to reset all Layer 2 statistics counters on port 3 on slot 2 enter:

```
-> interfaces 2/3 no l2 statistics
```

To reset Layer 2 statistics on a range of ports enter **interfaces** followed by the slot number, a slash (/), the first port number, a hyphen (-), the last port number, and **no l2 statistics**. For example, to reset all Layer 2 statistics counters on ports 1 through 3 on slot 2 enter:

```
-> interfaces 2/1-3 no l2 statistics
```

As an option, you can document the interface type by entering **ethernet**, **fastethernet**, or **gigaethernet** before the slot number. For example, to reset all Layer 2 statistics counters on port 3 on slot 2 and document the port as Fast Ethernet:

```
-> interfaces fastethernet 2/3 no l2 statistics
```

Note. The **show interfaces**, **show interfaces accounting**, and **show interfaces counters** commands can be used to display Layer 2 statistics (e.g., input and output errors, deferred frames received, unicast packets transmitted). For information on using these commands, see the *OmniSwitch CLI Reference Guide*.

Enabling and Disabling Interfaces

The **interfaces admin** command is used to enable (the default) or disable a specific port, a range of ports, or all ports on an entire switch (slot).

To enable or disable an entire slot enter **interfaces** followed by the slot number, **admin**, and the desired administrative setting (either **up** or **down**). For example, to administratively disable slot 2 enter:

```
-> interfaces 2 admin down
```

To enable or disable a single port enter **interfaces** followed by the slot number, a slash (/), the port number, **admin**, and the desired administrative setting (either **up** or **down**). For example, to administratively disable port 3 on slot 2 enter:

```
-> interfaces 2/3 admin down
```

To enable or disable a range of ports enter **interfaces** followed by the slot number, a slash (/), the first port number, a hyphen (-), the last port number, **admin**, and the desired administrative setting (either **up** or **down**). For example, to administratively disable ports 1 through 3 on slot 2 enter:

```
-> interfaces 2/1-3 admin down
```

As an option, you can document the interface type by entering **ethernet**, **fastethernet**, or **gigaethernet** before the slot number. For example, to administratively disable port 3 on slot 2 and document the port as Fast Ethernet:

```
-> interfaces fastethernet 2/3 admin down
```

Configuring Flood Rates

The following subsections describe how to enable the maximum flood rate (see [“Enabling the Maximum Flood Rate” on page 1-9](#)), enable the maximum flood rate for multicast traffic (see [“Enabling Maximum Flood Rate for Multicast Traffic” on page 1-9](#)), and how to configure the flood rate on an entire switch (slot), a specific port, or a range of ports (see [“Configuring Flood Rate Values” on page 1-10](#)).

Enabling the Maximum Flood Rate

The **interfaces flood** command can be used to enable the maximum flood rate for a single port, a range of ports, or all ports on a switch (slot).

Note. To enable flood multicasting on an interface, see [“Enabling Maximum Flood Rate for Multicast Traffic” on page 1-9](#).

To enable the maximum flood rate on a slot enter **interfaces** followed by the slot number and **flood**. For example, to enable the maximum flood rate on port 3 on slot 2 enter:

```
-> interfaces 2/3 flood
```

To enable the maximum flood rate on a single port enter **interfaces** followed by the slot number, a slash (/), the port number, and **flood**. For example, to enable the maximum flood rate on slot 2 enter:

```
-> interfaces 2 flood
```

To enable the maximum flood rate on a range of ports port enter **interfaces** followed by the slot number, a slash (/), the first port number, a hyphen (-), the last port number, and **flood**. For example, to enable the maximum flood rate on ports 3 through 4 on slot 2 enter:

```
-> interfaces 2/3-4 flood
```

As an option, you can document the interface type by entering **ethernet**, **fastethernet**, or **gigaethernet** before the slot number. For example, to enable the maximum flood rate on slot 2 enter and document the slot as Gigabit Ethernet enter:

```
-> interfaces gigaethernet 2 flood
```

Enabling Maximum Flood Rate for Multicast Traffic

The **interfaces flood multicast** command can be used to enable the maximum flood rate for multicast traffic for a single port, a range of ports, or all ports on a switch (slot).

Note. To enable maximum flood rate on an interface and to disable any flood multicast configuration use the **interface flood** command, which is described in [“Enabling the Maximum Flood Rate” on page 1-9](#).

To enable the maximum flood rate for multicast traffic on a slot enter **interfaces** followed by the slot number and **flood multicast**. For example, to enable the maximum flood rate for multicast traffic on slot 2 enter:

```
-> interfaces 2 flood multicast
```

To enable the maximum flood rate for multicast traffic for a single port enter **interfaces** followed by the slot number, a slash (/), the port number, and **flood multicast**. For example, to enable the maximum flood rate for multicast traffic on port 3 on slot 2 enter:

```
-> interfaces 2/3 flood multicast
```

To enable the maximum flood rate for multicast traffic for a range of port enter **interfaces** followed by the slot number, a slash (/), the first port number, a hyphen (-), the last port number, and **flood multicast**. For example, to enable the maximum flood rate for multicast traffic on ports 3 through 4 on slot 2 enter:

```
-> interfaces 2/3-4 flood multicast
```

As an option, you can document the interface type by entering **ethernet**, **fastethernet**, or **gigaethernet** before the slot number. For example, to enable the maximum flood rate for multicast traffic on slot 2 enter and document the slot as Gigabit Ethernet enter:

```
-> interfaces gigaethernet 2 flood multicast
```

Note. Enabling the maximum multicast flood rate with the **interfaces flood multicast** command will limit IP Multicast Switching (IPMS) and non-IPMS multicast traffic.

Configuring Flood Rate Values

By default, the flood rate is 42 Mbps on 10/100/1000 ports and 496 Mbps on Gigabit ports. The **interfaces flood rate** command can be used to configure the peak ingress flood rate value on a specific port, a range of ports, or all ports on a switch (slot) in megabits per second.

Note. Although you can configure a flood rate equal to the line rate you should not do so. Alcatel recommends that you always configure the flood rate to be less than the line speed.

To configure the peak flood rate for an entire slot enter **interfaces** followed by the slot number, **flood rate**, and the flood rate in bytes. For example, to configure the peak flood rate on slot 2 as 42 bytes enter:

```
-> interfaces 2 flood rate 42
```

To configure the peak flood rate for a single port enter **interfaces** followed by the slot number, a slash (/), the port number, **flood rate**, and the flood rate in bytes. For example, to configure the peak flood rate on port 3 on slot 2 as 42 bytes enter:

```
-> interfaces 2/3 flood rate 42
```

To configure the peak flood rate for a range of ports enter **interfaces** followed by the slot number, a slash (/), the first port number, a hyphen (-), the last port number, **flood rate**, and the flood rate in bytes. For example, to configure the peak flood rate on ports 1 through 3 on slot 2 as 42 bytes enter:

```
-> interfaces 2/1-3 flood rate 42
```

Please note that the **interfaces flood rate** command sets the maximum *ingress* flood rate on OmniSwitch 6800 Series switches. In addition, the flood limit value is applied to unknown destination address, broadcast, and multicast traffic individually and separately (not applied for combined traffic, which is the case for OmniSwitch 6600, 7700, 7800, 8800 switches). The accuracy/resolution is limited because the OmniSwitch 6800 Series ASIC makes an internal assumption of packet size when it converts bits/seconds to packets/seconds.

As an option, you can document the interface type by entering **ethernet**, **fastethernet**, or **gigaethernet** before the slot number. For example, to configure the peak flood rate on port 22 on slot 2 as 42 bytes and document the port as Gigabit Ethernet enter:

```
-> interfaces gigaethernet 2/22 flood rate 42
```

Configuring a Port Alias

The **interfaces alias** command is used to configure an alias (i.e., description) for a single port. (You cannot configure an entire switch or a range of ports.) To use this command enter **interfaces** followed by the slot number, a slash (/), the port number, **alias**, and the text description, which can be up to 40 characters long.

For example, to configure an alias of “ip_phone1” for port 3 on slot 2 enter:

```
-> interfaces 2/3 alias ip_phone1
```

Note. Spaces must be contained within quotes (e.g., “IP Phone 1”).

As an option, you can document the interface type by entering **ethernet**, **fastethernet**, or **gigaethernet** before the slot number. For example, to configure an alias of “ip_phone1” for port 3 on slot 2 and document the port as Fast Ethernet enter:

```
-> interfaces fastethernet 2/3 alias ip_phone1
```

Configuring Maximum Frame Sizes

The **interfaces max frame** command can be used to configure the maximum frame size (in bytes) on a specific port, a range of ports, or all ports on a switch. Maximum values for this command range from 1518 bytes (Ethernet packets) for Ethernet or Fast Ethernet ports to 9216 bytes (Gigabit Ethernet packets) for Gigabit Ethernet ports.

To configure the maximum frame size on an entire slot enter **interfaces** followed by the slot number, **max frame**, and the frame size in bytes. For example, to set the maximum frame size on slot 2 to 9216 bytes enter:

```
-> interfaces 2 max frame 9216
```

To configure the maximum frame size on a single port enter **interfaces** followed by the slot number, a slash (/), the port number, **max frame**, and the frame size in bytes. For example, to set the maximum frame size on port 3 on slot 2 to 9216 bytes enter:

```
-> interfaces 2/3 max frame 9216
```

To configure the maximum frame size on a range of ports enter **interfaces** followed by the slot number, a slash (/), the first port number, a hyphen (-), the last port number, **max frame**, and the frame size in bytes. For example, to set the maximum frame size on ports 1 through 3 on slot 2 to 9216 bytes enter:

```
-> interfaces 2/1-3 max frame 9216
```

As an option, you can document the interface type by entering **ethernet**, **fastethernet**, or **gigaethernet** before the slot number. For example, to set the maximum frame size on port 3 on slot 2 to 9216 bytes and document the port as Gigabit Ethernet enter:

```
-> interfaces gigaethernet 2/3 max frame 9216
```


Setting Ethernet Parameters for Non Combo Ports

The following sections describe how to use CLI commands to configure non combo ports. On the OmniSwitch 6800-24 the non combo ports are copper RJ-45 10/100/1000 ports 1 through 20. On the OmniSwitch 6800-48 the non combo ports are copper RJ-45 10/100/1000 ports 1 through 44. See the table in [“Valid Port Settings” on page 1-5](#) for more information.

Note. While you can use the CLI commands described in the following sections to configure combo ports please keep in mind that configuration changes made on combo ports configured as either forced fiber or preferred fiber will only be made on the SFP fiber ports and not to the copper RJ-45 10/100/1000 ports. Similarly, configuration changes made on combo ports configured as either forced copper or preferred copper will only be made on the copper RJ-45 10/100/1000 ports and not to the SFP fiber port. See [“Setting Combo Ethernet Port Parameters” on page 1-17](#) for more information on configuring combo ports.

Setting Interface Line Speed

The **interfaces speed** command is used to set the line speed on a specific port, a range of ports, or all ports on an entire switch (slot) to **10** (10 Mbps Ethernet), **100** (100 Mbps Fast Ethernet), **1000** (1000 Mbps Gigabit Ethernet), or **auto** (auto-sensing, which is the default). The auto setting automatically detects and matches the line speed of the attached device. (Available settings for this command depend on the available line speeds of your hardware interface. See [“Valid Port Settings” on page 1-5](#) for more information.)

To set the line speed on an entire switch enter **interfaces** followed by the slot number and the desired speed. For example, to set slot 2 to 100 Mbps enter:

```
-> interfaces 2 speed 100
```

To set the line speed on a single port enter **interfaces** followed by the slot number, a slash (/), the port number, and the desired speed. For example, to set the line speed on slot 2 port 3 at 100 Mbps enter:

```
-> interfaces 2/3 speed 100
```

To set the line speed on a range of ports enter **interfaces** followed by the slot number, a slash (/), the first port number, a hyphen (-), the last port number, and the desired speed. For example, to set the line speed on ports 1 through 3 on slot 2 at 100 Mbps enter:

```
-> interfaces 2/1-3 speed 100
```

As an option, you can document the interface type by entering **ethernet**, **fastethernet**, or **gigaethernet** before the slot number. For example, to configure the line speed on slot 2 port 3 at 100 Mbps and document the interface type as Fast Ethernet enter:

```
-> interfaces fastethernet 2/3 speed 100
```

Configuring Duplex Mode

The **interfaces duplex** command is used to configure the duplex mode on a specific port, a range of ports, or all ports on a switch (slot) to **full** (full duplex mode, which is the default on fiber ports), **half** (half duplex mode), **auto** (auto-negotiation, which is the default on copper ports). (The **Auto** option causes the switch to advertise all available duplex modes (half/full/both) for the port during autonegotiation.) In full duplex mode, the interface transmits and receives data simultaneously. In half duplex mode, the interface can only transmit or receive data at a given time.

Note. The **Auto** option sets both the duplex mode and line speed settings to auto-negotiation.

To configure the duplex mode on an entire slot enter **interfaces** followed by the slot number, **duplex**, and the desired duplex setting (**auto**, **full**, or **half**). For example, to set the duplex mode on slot 2 to full enter:

```
-> interfaces 2 duplex full
```

To configure the duplex mode on a single port enter **interfaces** followed by the slot number, a slash (/), the port number, **duplex**, and the desired duplex setting (**auto**, **full**, or **half**). For example, to set the duplex mode on port 3 on slot 2 to full enter:

```
-> interfaces 2/3 duplex full
```

To configure the duplex mode on a range of ports enter **interfaces** followed by the slot number, a slash (/), the first port number, a hyphen (-), the last port number, **duplex**, and the desired duplex setting (**auto**, **full**, or **half**). For example, to set the duplex mode on ports 1 through 3 on slot 2 to full enter:

```
-> interfaces 2/1-3 duplex full
```

As an option, you can document the interface type by entering **ethernet**, **fastethernet**, or **gigaethernet** before the slot number. For example, to set the duplex mode on port 3 on slot 2 and document the port as Fast Ethernet enter:

```
-> interfaces fastethernet 2/3 duplex full
```

Configuring Inter-frame Gap Values

Inter-frame gap is a measure of the minimum idle time between the end of one frame transmission and the beginning of another. By default, the inter-frame gap is 12 bytes. The **interfaces ifg** command can be used to configure the inter-frame gap value (in bytes) on a specific port, a range of ports, or all ports on a switch (slot). Values for this command range from 9 to 12 bytes.

Note. This command is only valid on Gigabit ports.

To configure the inter-frame gap on an entire slot enter **interfaces**, followed by the slot number, **ifg**, and the desired inter-frame gap value. For example, to set the inter-frame gap value on slot 2 to 10 bytes enter:

```
-> interfaces 2 ifg 10
```

To configure the inter-frame gap on a single port enter **interfaces**, followed by the slot number, a slash (/), the port number, **ifg**, and the desired inter-frame gap value. For example, to set the inter-frame gap value on port 20 on slot 2 to 10 bytes enter:

```
-> interfaces 2/20 ifg 10
```

To configure the inter-frame gap on a range of ports enter **interfaces**, followed by the slot number, a slash (/), the first port number, a hyphen (-), the last port number, **ifg**, and the desired inter-frame gap value. For example, to set the inter-frame gap value on ports 20 through 22 on slot 2 to 10 bytes enter:

```
-> interfaces 2/20-22 ifg 10
```

As an option, you can document the interface type by entering **ethernet**, **fastethernet**, or **gigaethernet** before the slot number. For example, to set the inter-frame gap value on port 20 on slot 2 to 10 bytes and document the port as Gigabit Ethernet enter:

```
-> interfaces gigaethernet 2/20 ifg 10
```

Note. Since the **interfaces ifg** command is only supported on Gigabit interfaces only the **gigaethernet** keyword should be used.

Configuring Auto Negotiation and Crossover Settings

The following subsections describe how to enable and disable auto negotiation (see [“Enabling and Disabling Auto Negotiation”](#) on page 1-15) and configuring crossover settings (see [“Configuring Crossover Settings”](#) on page 1-16).

Enabling and Disabling Auto Negotiation

By default, auto negotiation is enabled. To enable or disable auto negotiation on a single port, a range of ports, or an entire slot use the **interfaces autoneg** command. (See [“Configuring Crossover Settings”](#) on page 1-16 and [“Setting Combo Ethernet Port Parameters”](#) on page 1-17 for more information).

To enable or disable auto negotiation on an entire switch enter **interfaces** followed by the slot number, **autoneg**, and either **enable** or **disable**. For example, to enable auto negotiation on slot 2 enter:

```
-> interfaces 2 autoneg enable
```

To enable or disable auto negotiation on a single port enter **interfaces** followed by the slot number, a slash (/), the port number, **autoneg**, and either **enable** or **disable**. For example, to enable auto negotiation on port 3 on slot 2 enter:

```
-> interfaces 2/3 autoneg enable
```

To enable or disable auto negotiation on a range of ports enter **interfaces** followed by the slot number, a slash (/), the first port number, a hyphen (-), the last port number, **autoneg**, and either **enable** or **disable**. For example, to enable auto negotiation on ports 1 through 3 on slot 2 enter:

```
-> interfaces 2/1-3 autoneg enable
```

As an option, you can document the interface type by entering **ethernet**, **fastethernet**, or **gigaethernet** before the slot number. For example, to enable auto negotiation on port 3 on slot 2 and document the port as Ethernet enter:

```
-> interfaces ethernet 2/3 autoneg enable
```

Note. Please refer to [“Autonegotiation Guidelines”](#) on page 1-6 for guidelines on configuring autonegotiation.

Configuring Crossover Settings

To configure crossover settings on a single port, a range of ports, or an entire slot use the **interfaces crossover** command. If auto negotiation is disabled, auto MDIX, flow control, auto speed, and auto duplex are not accepted.

Setting the crossover configuration to **auto** will configure the interface or interfaces to automatically detect crossover settings. Setting crossover configuration to **mdix** will configure the interface or interfaces for MDIX (Media Dependent Interface with Crossover), which is the standard for hubs and switches. Setting crossover to **mdi** will configure the interface or interfaces for MDI (Media Dependent Interface), which is the standard for end stations. And setting the crossover configuration to **disable** will disable crossover configuration on an interface or interfaces.

To configure crossover settings on an entire switch enter **interfaces** followed by the slot number, **cross-over**, and the desired setting. For example, to set the crossover configuration to auto on slot 2 enter:

```
-> interfaces 2 crossover auto
```

To configure crossover settings on a single port enter **interfaces** followed by the slot number, a slash (/), the port number, **crossover**, and the desired setting. For example, to set the crossover configuration to auto on port 3 on slot 2 enter:

```
-> interfaces 2/3 crossover auto
```

To configure crossover settings on a range of ports enter **interfaces** followed by the slot number, a slash (/), the first port number, a hyphen (-), the last port number, **crossover**, and the desired setting. For example, to set the crossover configuration to auto on ports 1 through 3 on slot 2 enter:

```
-> interfaces 2/1-3 crossover auto
```

As an option, you can document the interface type by entering **ethernet**, **fastethernet**, or **gigaethernet** before the slot number. For example, to set the crossover configuration to auto on port 3 on slot 2 and document the port as Fast Ethernet enter:

```
-> interfaces fastethernet 2/3 crossover auto
```

Setting Combo Ethernet Port Parameters

The following sections describe how to use CLI commands to configure combo ports. On the OmniSwitch 6800-24 the combo ports are copper RJ-45 10/100/1000 ports 21 through 24 and fiber SFP ports 21 through 24. (See [“OmniSwitch 6800-24” on page 1-5](#) for more information.) On the OmniSwitch 6800-48 the combo ports are copper RJ-45 10/100/1000 ports 45 through 48 and fiber SFP ports 45 through 48. (See [“OmniSwitch 6800-48” on page 1-6](#) for more information.)

Note. See [“Valid Port Settings” on page 1-5](#) and [“OmniSwitch 6800 Series Chassis” on page 1-5](#) for more information on combo ports on OmniSwitch 6800 Series chassis.

Setting the Combo Port Type and Mode

By default, all combo ports on OmniSwitch 6800 Series switches are set to preferred fiber. The following subsections describe how to set a single combo port, a range of combo ports, or all combo ports on an entire switch to forced fiber (see [“Setting Combo Ports to Forced Fiber” on page 1-17](#)), preferred copper ([“Setting Combo Ports to Preferred Copper” on page 1-18](#)), forced copper ([“Setting Combo Ports to Forced Copper” on page 1-18](#)), and preferred fiber ([“Setting Combo Ports to Preferred Fiber” on page 1-19](#)).

Note. See [“OmniSwitch 6800 Series Combo Ports” on page 1-4](#) for an overview of combo port types and modes.

Setting Combo Ports to Forced Fiber

In forced fiber mode combo ports will always use the fiber SFP port instead of the equivalent copper RJ-45 port. To set a single combo port, a range of combo ports, or all combo ports on a switch to forced fiber use the [interfaces hybrid forced-fiber](#) command.

To set all combo ports on an entire switch to forced fiber mode enter **interfaces** followed by the slot number and **hybrid forced-fiber**. For example, to set all combo ports on slot 2 to forced fiber enter:

```
-> interfaces 2 hybrid forced-fiber
```

To set a single combo port to forced fiber enter **interfaces** followed by the slot number, a slash (/), the port number, and **hybrid forced-fiber**. For example, to set port 47 on slot 1 to forced fiber enter:

```
-> interfaces 1/47 hybrid forced-fiber
```

To set a range of combo ports to forced fiber ports enter **interfaces** followed by the slot number, a slash (/), the first port number, a hyphen (-), the last port number, and **hybrid forced-fiber**. For example, to set combo ports 46 through 48 on slot 1 to forced fiber enter:

```
-> interfaces 1/46-48 hybrid forced-fiber
```

As an option, you can document the interface type by entering **ethernet**, **fastethernet**, or **gigaethernet** before the slot number. For example, to set port 47 on slot 1 to forced fiber and document the interface type as Gigabit Ethernet enter:

```
-> interfaces gigaethernet 1/47 hybrid forced-fiber
```

Setting Combo Ports to Preferred Copper

In preferred copper mode combo ports will use the copper RJ-45 port instead of the fiber SFP port if both ports are enabled and have a valid link. If the copper port goes down then the switch will automatically switch to the fiber SFP port. To set a single combo port, a range of combo ports, or all combo ports on a switch to preferred copper use the **interfaces hybrid preferred-copper** command.

To set all combo ports on an entire switch to preferred copper mode enter **interfaces** followed by the slot number and **hybrid preferred-copper**. For example, to set all combo ports on slot 2 to preferred copper enter:

```
-> interfaces 2 hybrid preferred-copper
```

To set a single combo port to preferred copper enter **interfaces** followed by the slot number, a slash (/), the port number, and **hybrid preferred-copper**. For example, to set port 47 on slot 1 to preferred copper enter:

```
-> interfaces 1/47 hybrid preferred-copper
```

To set a range of combo ports to preferred copper ports enter **interfaces** followed by the slot number, a slash (/), the first port number, a hyphen (-), the last port number, and **hybrid preferred-copper**. For example, to set combo ports 46 through 48 on slot 1 to preferred copper enter:

```
-> interfaces 1/46-48 hybrid preferred-copper
```

As an option, you can document the interface type by entering **ethernet**, **fastethernet**, or **gigaethernet** before the slot number. For example, to set port 47 on slot 1 to preferred copper and document the interface type as Gigabit Ethernet enter:

```
-> interfaces gigaethernet 1/47 hybrid preferred-copper
```

Setting Combo Ports to Forced Copper

In forced copper mode combo ports will always use the copper RJ-45 port instead of the equivalent fiber SFP port. To set a single combo port, a range of combo ports, or all combo ports on a switch to forced copper use the **interfaces hybrid forced-copper** command.

To set all combo ports on an entire switch to forced copper mode enter **interfaces** followed by the slot number and **hybrid forced-copper**. For example, to set all combo ports on slot 2 to forced copper enter:

```
-> interfaces 2 hybrid forced-copper
```

To set a single combo port to forced copper enter **interfaces** followed by the slot number, a slash (/), the port number, and **hybrid forced-copper**. For example, to set port 47 on slot 1 to forced copper enter:

```
-> interfaces 1/47 hybrid forced-copper
```

To set a range of combo ports to forced copper ports enter **interfaces** followed by the slot number, a slash (/), the first port number, a hyphen (-), the last port number, and **hybrid forced-copper**. For example, to set combo ports 46 through 48 on slot 1 to forced copper enter:

```
-> interfaces 1/46-48 hybrid forced-copper
```

As an option, you can document the interface type by entering **ethernet**, **fastethernet**, or **gigaethernet** before the slot number. For example, to set port 47 on slot 1 to forced copper and document the interface type as Gigabit Ethernet enter:

```
-> interfaces gigaethernet 1/47 hybrid forced-copper
```

Setting Combo Ports to Preferred Fiber

In preferred fiber mode (the default) combo ports will use the fiber SFP port instead of the copper RJ-45 port if both ports are enabled and have a valid link. If the fiber port goes down then the switch will automatically switch to the copper RJ-45 port. To set a single combo port, a range of combo ports, or all combo ports on a switch to preferred fiber use the **interfaces hybrid preferred-fiber** command.

To set all combo ports on an entire switch to preferred fiber mode enter **interfaces** followed by the slot number and **hybrid preferred-fiber**. For example, to set all combo ports on slot 2 to preferred fiber enter:

```
-> interfaces 2 hybrid preferred-fiber
```

To set a single combo port to preferred fiber enter **interfaces** followed by the slot number, a slash (/), the port number, and **hybrid preferred-fiber**. For example, to set port 47 on slot 1 to preferred fiber enter:

```
-> interfaces 1/47 hybrid preferred-fiber
```

To set a range of combo ports to preferred fiber ports enter **interfaces** followed by the slot number, a slash (/), the first port number, a hyphen (-), the last port number, and **hybrid preferred-fiber**. For example, to set combo ports 46 through 48 on slot 1 to preferred fiber enter:

```
-> interfaces 1/46-48 hybrid preferred-fiber
```

As an option, you can document the interface type by entering **ethernet**, **fastethernet**, or **gigaethernet** before the slot number. For example, to set port 47 on slot 1 to preferred fiber and document the interface type as Gigabit Ethernet enter:

```
-> interfaces gigaethernet 1/47 hybrid preferred-fiber
```

Setting Interface Line Speed for Combo Ports

The **interfaces hybrid speed** command is used to set the line speed on a specific combo port, a range of combo ports, or all combo ports on an entire switch (slot) to **10** (10 Mbps Ethernet), **100** (100 Mbps Fast Ethernet), **1000** (1000 Mbps Gigabit Ethernet, which is the default for combo SFP ports), or **auto** (auto-sensing, which is the default for combo 10/100/1000 ports). The auto setting automatically detects and matches the line speed of the attached device. (Available settings for this command depend on the available line speeds of your hardware interface. See “Valid Port Settings” on page 1-5 for more information.)

Note. In the **interface hybrid speed** command the **copper** keyword is used to configure the copper RJ-45 10/100/1000 port while the **fiber** keyword is used to configure the fiber SFP port.

To set the line speed for all combo ports on an entire switch enter **interfaces** followed by the slot number, **hybrid**, either **fiber** or **copper**, and the desired speed. For example, to set all combo copper ports on slot 2 to 100 Mbps enter:

```
-> interfaces 2 hybrid copper speed 100
```

Note. using the **interface hybrid speed** command to set all combo ports on a switch will not affect the configurations of the non combo ports.

To set the line speed on a single combo port enter **interfaces** followed by the slot number, a slash (/), the combo port number, **hybrid**, either **fiber** or **copper**, and the desired speed. For example, to set the line speed on slot 2 combo copper RJ-45 port 47 to 100 Mbps enter:

```
-> interfaces 2/47 hybrid copper speed 100
```

To set the line speed on a range of combo ports enter **interfaces** followed by the slot number, a slash (/), the first combo port number, a hyphen (-), the last combo port number, **hybrid**, either **fiber** or **copper**, and the desired speed. For example, to set the line speed on combo copper ports 46 through 48 on slot 2 to 100 Mbps enter:

```
-> interfaces 2/46-48 hybrid copper speed 100
```

As an option, you can document the interface type by entering **ethernet**, **fastethernet**, or **gigaethernet** before the slot number. For example, to configure the line speed on slot 2 combo copper port 47 at 100 Mbps and document the interface type as Fast Ethernet enter:

```
-> interfaces fastethernet 2/47 hybrid copper speed 100
```

Configuring Duplex Mode for Combo Ports

The **interfaces hybrid duplex** command is used to configure the duplex mode on a specific combo port, a range of combo ports, or all combo ports on a switch (slot) to **full** (full duplex mode, which is the default for fiber SFP ports), **half** (half duplex mode), **auto** (auto-negotiation, which is the default for copper RJ-45 ports). (The **Auto** option sets both the duplex mode and line speed settings to auto-negotiation.) In full duplex mode, the interface transmits and receives data simultaneously. In half duplex mode, the interface can only transmit or receive data at a given time. (Available settings for this command depend on the available line speeds of your hardware interface. See “Valid Port Settings” on page 1-5 for more information.)

Note. In the **interface hybrid duplex** command the **copper** keyword is used to configure the copper RJ-45 10/100/1000 port while the **fiber** keyword is used to configure the fiber SFP port.

To configure the duplex mode on an entire slot enter **interfaces** followed by the slot number, **hybrid**, either **fiber** or **copper**, **duplex**, and the desired duplex setting (**auto**, **full**, or **half**). For example, to set the duplex mode on all fiber combo ports on slot 2 to full enter:

```
-> interfaces 2 hybrid fiber duplex full
```

Note. using the **interface hybrid duplex** command to set all combo ports on a switch will not affect the configurations of the non combo ports.

To configure the duplex mode on a single combo port enter **interfaces** followed by the slot number, a slash (/), the combo port number, **hybrid**, either **fiber** or **copper**, **duplex**, and the desired duplex setting (**auto**, **full**, or **half**). For example, to set the duplex mode on the fiber combo port 47 on slot 2 to full enter:

```
-> interfaces 2/47 hybrid fiber duplex full
```


To configure the duplex mode on a range of combo ports enter **interfaces** followed by the slot number, a slash (/), the first combo port number, a hyphen (-), the last combo port number, **hybrid**, either **fiber** or **copper**, **duplex**, and the desired duplex setting (**auto**, **full**, or **half**). For example, to set the duplex mode on fiber combo ports 45 through 48 on slot 2 to full enter:

```
-> interfaces 2/45-48 hybrid fiber duplex full
```

As an option, you can document the interface type by entering **ethernet**, **fastethernet**, or **gigaethernet** before the slot number. For example, to set the duplex mode on the fiber combo port 47 on slot 2 and document the fiber combo port as Gigabit Ethernet enter:

```
-> interfaces gigaethernet 2/47 hybrid fiber duplex full
```

Configuring Auto Negotiation and Crossover for Combo Ports

The following subsections describe how to enable and disable auto negotiation (see [“Enabling and Disabling Auto Negotiation for Combo Ports”](#) on page 1-21) and configuring crossover settings (see [“Configuring Crossover Settings for Combo Ports”](#) on page 1-22) on combo ports.

Enabling and Disabling Auto Negotiation for Combo Ports

By default, auto negotiation is enabled. To enable or disable auto negotiation on a single combo port, a range of combo ports, or all combo ports on an entire slot use the **interfaces hybrid autoneg** command. (See [“Configuring Crossover Settings for Combo Ports”](#) on page 1-22 for more information).

Note. In the **interface hybrid autoneg** command the **copper** keyword is used to configure the copper RJ-45 10/100/1000 port while the **fiber** keyword is used to configure the fiber SFP port.

To enable or disable auto negotiation on all combo ports an entire switch enter **interfaces** followed by the slot number, **hybrid**, either **fiber** or **copper**, **autoneg**, and either **enable** or **disable**. For example, to enable auto negotiation on all copper combo ports on slot 2 enter:

```
-> interfaces 2 hybrid copper autoneg enable
```

Note. using the **interface hybrid autoneg** command to set all combo ports on a switch will not affect the configurations of the non combo ports.

To enable or disable auto negotiation on a single combo port enter **interfaces** followed by the slot number, a slash (/), the combo port number, **hybrid**, either **fiber** or **copper**, **autoneg**, and either **enable** or **disable**. For example, to enable auto negotiation on copper combo port 47 on slot 2 enter:

```
-> interfaces 2/47 hybrid copper autoneg enable
```

To enable or disable auto negotiation on a range of combo ports enter **interfaces** followed by the slot number, a slash (/), the first combo port number, a hyphen (-), the last combo port number, **hybrid**, either **fiber** or **copper**, **autoneg**, and either **enable** or **disable**. For example, to enable auto negotiation on copper combo ports 45 through 48 on slot 2 enter:

```
-> interfaces 2/45-48 hybrid copper autoneg enable
```

As an option, you can document the interface type by entering **ethernet**, **fastethernet**, or **gigaethernet** before the slot number. For example, to enable auto negotiation on copper combo port 47 on slot 2 and document the combo port as Gigabit Ethernet enter:

```
-> interfaces gigaethernet 2/47 hybrid copper autoneg enable
```

Note. Please refer to [“Autonegotiation Guidelines” on page 1-6](#) for guidelines on configuring autonegotiation.

Configuring Crossover Settings for Combo Ports

To configure crossover settings on a single combo port, a range of combo ports, or all combo ports an entire slot use the **interfaces hybrid crossover** command. If auto negotiation is disabled, auto MDIX, flow control, auto speed, and auto duplex are not accepted.

Note. In the **interface hybrid crossover** command the **copper** keyword is used to configure the copper RJ-45 10/100/1000 port while the **fiber** keyword is used to configure the fiber SFP port.

Setting the crossover configuration to **auto** will configure the interface or interfaces to automatically detect crossover settings. Setting crossover configuration to **mdix** will configure the interface or interfaces for MDIX (Media Dependent Interface with Crossover), which is the standard for hubs and switches. Setting crossover to **mdi** will configure the interface or interfaces for MDI (Media Dependent Interface), which is the standard for end stations. And setting the crossover configuration to **disable** will disable crossover configuration on an interface or interfaces.

To configure crossover settings for all combo ports on an entire switch enter **interfaces** followed by the slot number, **hybrid**, either **fiber** or **copper**, **crossover**, and the desired setting. For example, to set the crossover configuration to auto on for all copper combo ports slot 2 enter:

```
-> interfaces 2 hybrid copper crossover auto
```

Note. using the **interface hybrid crossover** command to set all combo ports on a switch will not affect the configurations of the non combo ports.

To configure crossover settings on a single combo port enter **interfaces** followed by the slot number, a slash (/), the combo port number, **hybrid**, either **fiber** or **copper**, **crossover**, and the desired setting. For example, to set the crossover configuration to auto on copper combo port 47 on slot 2 enter:

```
-> interfaces 2/47 hybrid copper crossover auto
```

To configure crossover settings on a range of combo ports enter **interfaces** followed by the slot number, a slash (/), the first combo port number, a hyphen (-), the last combo port number, **hybrid**, either **fiber** or **copper**, **crossover**, and the desired setting. For example, to set the crossover configuration to auto on copper combo ports 45 through 48 on slot 2 enter:

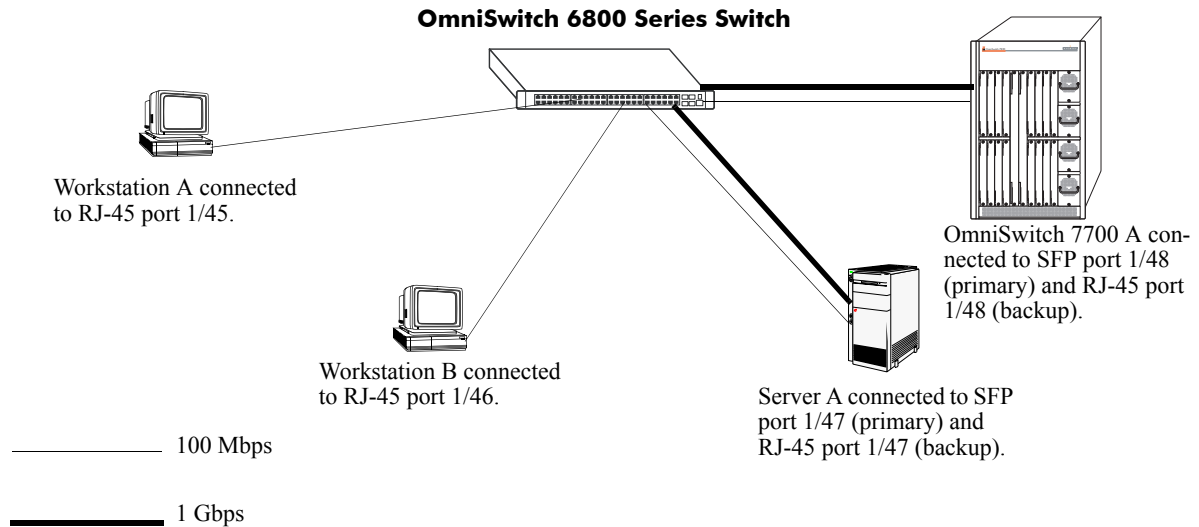
```
-> interfaces 2/45-48 hybrid copper crossover auto
```

As an option, you can document the interface type by entering **ethernet**, **fastethernet**, or **gigaethernet** before the slot number. For example, to set the crossover configuration to auto on copper combo port 47 on slot 2 and document the combo port as Gigabit Ethernet enter:

```
-> interfaces gigaethernet hybrid copper 2/3 crossover auto
```

Combo Port Application Example

The figure below shows a sample application example for using OmniSwitch 6800 Series combo ports. Workstations A and B are connected with 100 Mbps links to copper combo ports 1/45 and 1/46, respectively. (SFP combo ports 1/45 and 1/46 are unused.) Server A has a primary 1 Gbps fiber connection to combo SFP port 1/47 and a backup 100 Mbps connection to copper combo port 1/47. And the OmniSwitch 7700 has a primary 1 Gbps connection to combo SFP port 1/48 and a backup 100 Mbps connection to copper combo port 1/48.



Combo Port Application Example

Follow the steps below to configure this application example:

1 Set the speed of copper combo ports 1/45 through 1/48 to 100 Mbps with the **interfaces hybrid speed** command by entering:

```
-> interfaces 1/45-48 hybrid copper speed 100
```

2 Set copper combo ports 1/45 and 1/46 to forced copper mode—which will ensure the links stay up even if a cable is plugged into SFP combo ports 1/45/ and 1/46—with the **interfaces hybrid forced-copper** command by entering:

```
-> interfaces 1/45-46 hybrid forced-copper
```

3 Verify that combo ports 1/47 and 1/48 are set to the default setting of preferred fiber (which will make the SFP ports 1/47 and 1/48 the primary connections while copper combo ports 1/47 and 1/48 will only become active if the equivalent SFP ports go down) with the **show interfaces status** command as shown below:

```
-> show interfaces 1/45-48 status
      DETECTED                CONFIGURED
Slot/ AutoNeg Speed Duplex Hybrid Speed Duplex Hybrid Trap
Port      (Mbps)              Type  (Mbps)      Mode  LinkUpDown
-----+-----+-----+-----+-----+-----+-----+-----
1/45  Enable    -    -    -    100  Auto    FC    -
1/45  Enable    -    -    -    1000 Full    FC    -
1/46  Enable    -    -    -    100  Auto    FC    -
1/46  Enable    -    -    -    1000 Full    FC    -
1/47  Enable    -    -    -    1000 Full    PF    -
1/47  Enable    -    -    -    100  Auto    PF    -
1/48  Enable    -    -    -    1000 Full    PF    -
1/48  Enable    -    -    -    100  Auto    PF    -
```

```
FF - ForcedFiber PF - PreferredFiber F - Fiber
FC - ForcedCopper PC - PreferredCopper C - Copper
```

In the output above combo ports 1/47 and 1/48 are set to preferred fiber. (To configure combo ports as preferred fiber use the **interfaces hybrid preferred-fiber** command.)

Verifying Ethernet Port Configuration

To display information about Ethernet port configuration settings, use the **show** commands listed in the following table.

show interfaces flow control	Displays interface flow control wait time settings in nanoseconds.
show interfaces	Displays general interface information, such as hardware, MAC address, input and output errors.
show interfaces accounting	Displays interface accounting information.
show interfaces counters	Displays interface counters information.
show interfaces counters errors	Displays interface error frame information for Ethernet and Fast Ethernet ports.
show interfaces collisions	Displays collision statistics information for Ethernet and Fast Ethernet ports.
show interfaces status	Displays line status information.
show interfaces port	Displays port status information.
show interfaces ifg	Displays inter-frame gap values.
show interfaces flood rate	Displays peak flood rate settings.
show interfaces traffic	Displays interface traffic statistics.
show interfaces capability	Displays auto negotiation, flow, speed, duplex, and crossover settings.
show interfaces hybrid	Displays general interface information (e.g., hardware, MAC address, input errors, output errors) for combo ports.
show interfaces hybrid status	Displays line status information for combo ports.
show interfaces hybrid flow control	Displays interface flow control wait time settings in nanoseconds for combo ports.
show interfaces hybrid capability	Displays auto negotiation, flow, speed, duplex, and crossover settings for combo ports.
show interfaces hybrid accounting	Displays interface accounting information (e.g., packets received/transmitted, deferred frames received) for combo ports.
show interfaces hybrid counters	Displays interface counters information (e.g., unicast, broadcast, multi-cast packets received/transmitted) for combo ports.
show interfaces hybrid counters errors	Displays interface error frame information (e.g., CRC errors, transit errors, receive errors) for combo ports.
show interfaces hybrid collisions	Displays interface collision information (e.g., number of collisions, number of retries) for combo ports.
show interfaces hybrid traffic	Displays interface traffic statistics for combo ports.
show interfaces hybrid port	Displays interface port status (up or down) for combo ports.
show interfaces hybrid flood rate	Displays interface peak flood rate settings for combo ports.
show interfaces hybrid ifg	Displays interface inter-frame gap values for combo ports.

These commands can be quite useful in troubleshooting and resolving potential configuration issues or problems on your switch. For more information about the resulting displays from these commands, see the *OmniSwitch CLI Reference Guide*.

2 Managing Source Learning

Transparent bridging relies on a process referred to as *source learning* to handle traffic flow. Network devices communicate by sending and receiving data packets that each contain a source MAC address and a destination MAC address. When packets are received on switch network interface (NI) module ports, source learning examines each packet and compares the source MAC address to entries in a MAC address database table. If the table does not contain an entry for the source address, then a new record is created associating the address with the port it was learned on. If an entry for the source address already exists in the table, a new one is not created.

Packets are also filtered to determine if the source and destination address are on the same LAN segment. If the destination address is not found in the MAC address table, then the packet is forwarded to all other switches that are connected to the same LAN. If the MAC address table does contain a matching entry for the destination address, then there is no need to forward the packet to the rest of the network.

In This Chapter

This chapter describes how to manage source learning entries in the switch MAC address table (often referred to as the *forwarding or filtering database*) through the Command Line Interface (CLI). CLI commands are used in the configuration examples; for more details about the syntax of commands, see the *OmniSwitch CLI Reference Guide*.

Configuration procedures described in this chapter include:

- Creating a static MAC address table entry on [page 2-4](#).
- Configuring the MAC address table aging time on [page 2-5](#).
- Displaying MAC address table information on [page 2-7](#).

Source Learning Specifications

RFCs supported	2674 - <i>Definitions of Managed Objects for Bridges with Traffic Classes, Multicast Filtering and Virtual LAN Extensions</i>
IEEE Standards supported	802.1Q - <i>Virtual Bridged Local Area Networks</i> 802.1D - <i>Media Access Control Bridges</i>
Maximum number of learned MAC addresses per switch	8K
Maximum number of learned MAC addresses total for a stack of switches	8K

Source Learning Defaults

Parameter Description	Command	Default
Static MAC address management status	mac-address-table	permanent
Static MAC address operating mode	mac-address-table	bridging
MAC address aging timer	mac-address-table aging-time	300 seconds

Sample MAC Address Table Configuration

The following steps provide a quick tutorial that will create a static MAC address and change the MAC address aging timer for VLAN 200:

Note. Optional. Creating a static MAC address involves specifying an address that is not already used in another static entry or already dynamically learned by the switch. To determine if the address is already known to the MAC address table, enter **show mac-address-table**. If the address does not appear in the **show mac-address-table** output, then it is available to use for configuring a static MAC address entry. For example,

```
-> show mac-address-table
Legend: Mac Address: * = address not valid
```

```

Vlan      Mac Address          Type      Protocol  Operation  Interface
-----+-----+-----+-----+-----+-----
    1    00:00:00:00:00:01    learned    0800      bridging    8/ 1
    1    00:d0:95:6a:73:9a    learned    aaaa0003  bridging    10/23
Total number of Valid MAC addresses above = 2

```

The **show mac-address-table** command is also useful for monitoring general source learning activity and verifying dynamic VLAN assignments of addresses received on mobile ports.

- 1 Create VLAN 200, if it does not already exist, using the following command:

```
-> vlan 200
```


2 Assign switch ports 2 through 5 on slot 3 to VLAN 200—if they are not already associated with VLAN 200—using the following command:

```
-> vlan 200 port default 3/2-5
```

3 Create a static MAC address entry using the following command to assign address 002D95:5BF30E to port 3/4 associated with VLAN 200 and to specify a permanent management status for the static address:

```
-> mac-address-table permanent 00:2d:95:5b:f3:0e 3/4 200
```

4 Change the MAC address aging time to 1200 seconds (the default is 300 seconds) using the following command:

```
-> mac-address-table aging-time 1200
```

Note. *Optional.* To verify the static MAC address configuration, enter **show mac-address-table**. For example:

```
-> show mac-address-table
```

Legend: Mac Address: * = address not valid

Vlan	Mac Address	Type	Protocol	Operation	Interface
1	00:00:00:00:00:01	learned	0800	bridging	8/1
1	00:d0:95:6a:73:9a	learned	aaaa0003	bridging	10/23
200	00:2d:95:5b:f3:0e	delontimeout	0	bridging	3/4

Total number of Valid MAC addresses above = 3

To verify the new aging time value, enter **show mac-address-table aging-time**. For example,

```
-> show mac-address-table aging-time
```

```
Mac Address Aging Time (seconds) for Vlan 1 = 1200
Mac Address Aging Time (seconds) for Vlan 2 = 1200
Mac Address Aging Time (seconds) for Vlan 50 = 1200
Mac Address Aging Time (seconds) for Vlan 1000 = 1200
```

MAC Address Table Overview

Source learning builds and maintains the MAC address table on each switch. New MAC address table entries are created in one of two ways: they are dynamically learned or statically assigned. Dynamically learned MAC addresses are those that are obtained by the switch when source learning examines data packets and records the source address and the port and VLAN it was learned on. Static MAC addresses are user defined addresses that are statically assigned to a port and VLAN using the `mac-address-table` command.

Accessing MAC Address Table entries is useful for managing traffic flow and troubleshooting network device connectivity problems. For example, if a workstation connected to the switch is unable to communicate with another workstation connected to the same switch, the MAC address table might show that one of these devices was learned on a port that belonged to a different VLAN or the source MAC address of one of the devices may not appear at all in the address table.

Using Static MAC Addresses

Static MAC addresses are configured using the `mac-address-table` command. These addresses direct network traffic to a specific port and VLAN. They are particularly useful when dealing with silent network devices. These types of devices do not send packets, so their source MAC address is never learned and recorded in the MAC address table. Assigning a MAC address to the silent device's port creates a record in the MAC address table and ensures that packets destined for the silent device are forwarded out that port.

When defining a static MAC address for a particular slot/port and VLAN, consider the following:

- Configuring static MAC addresses is only supported on non-mobile ports.
- The specified slot/port must already belong to the specified VLAN. Use the `vlan port default` command to assign a port to a VLAN before you configure the static MAC address.
- Only traffic from other ports associated with the same VLAN is directed to the static MAC address slot/port.
- Static MAC addresses are **permanent** addresses. This means that a static MAC address remains in use even if the MAC ages out or the switch is rebooted.
- There are two types of static MAC address behavior supported: **bridging** (default) or **filtering**. Enter **filtering** to set up a denial of service to block potential hostile attacks. Traffic sent to or from a filtered MAC address is dropped. Enter **bridging** for regular traffic flow to or from the MAC address. For more information about Layer 2 filtering, see [Chapter 21, "Configuring QoS."](#)
- If a packet received on a port associated with the same VLAN contains a source address that matches a static MAC address, the packet is discarded. The same source address on different ports within the same VLAN is not supported.
- If a static MAC address is configured on a port link that is down or disabled, an asterisk appears to the right of the MAC address in the `show mac-address-table` command display. The asterisk indicates that this is an invalid MAC address. When the port link comes up, however, the MAC address is then considered valid and the asterisk no longer appears next to the address in the display.

Configuring Static MAC Addresses

To configure a permanent, bridging static MAC address, enter **mac-address-table** followed by a MAC address, slot/port, and the VLAN ID to assign to the MAC address. For example, the following assigns a MAC address to port 10 on slot 4 associated with VLAN 255:

```
-> mac-address-table 00:02:DA:00:59:0C 4/10 255
```

Since **permanent** and **bridging** options for a static MAC are default settings, it is not necessary to enter them as part of the command.

The following configures a filtered static MAC address that source learning will remove from the MAC address table the next time the switch reboots:

```
-> mac-address-table reset 00:02:DA:00:59:0C 3/1 500 filtering
```

Use the **no** form of this command to clear MAC address entries from the table. If the MAC address status type (permanent, reset, or learned) is not specified, then only permanent addresses are removed from the table. The following example removes a MAC address entry with a reset status that is assigned on port 2 of slot 3 for VLAN 855 from the MAC address table:

```
-> no mac-address-table reset 00:00:02:CE:10:37 3/2 855
```

If a slot/port and VLAN ID are not specified when removing MAC address table entries, then all MACs defined with the specified status are removed. For example, the following command removes all learned MAC addresses from the table, regardless of their slot/port or VLAN assignments:

```
-> no mac-address-table learned
```

To verify static MAC address configuration and other table entries, use the **show mac-address-table** command. For more information about this command, see the *OmniSwitch CLI Reference Guide*.

Static MAC Addresses on Link Aggregate Ports

Static MAC Addresses are not assigned to physical ports that belong to a link aggregate. Instead, they are assigned to a link aggregate ID that represents a collection of physical ports. This ID is specified at the time the link aggregate of ports is created and when using the **mac-address-table-command**.

To configure a permanent, bridging static MAC address on a link aggregate ID, enter **mac-address-table** followed by a MAC address, then **linkagg** followed by the link aggregate ID, and the VLAN ID to assign to the MAC address. For example, the following assigns a MAC address to link aggregate ID 2 associated with VLAN 455:

```
-> mac-address-table 00:95:2A:00:3E:4C linkagg 2 455
```

For more information about configuring a link aggregate of ports, see [Chapter 10, “Configuring Static Link Aggregation”](#) and [Chapter 11, “Configuring Dynamic Link Aggregation.”](#)

Configuring MAC Address Table Aging Time

Source learning also tracks MAC address age and removes addresses from the MAC address table that have aged beyond the aging timer value. When a device stops sending packets, source learning keeps track of how much time has passed since the last packet was received on the device’s switch port. When this amount of time exceeds the aging time value, the MAC is *aged out* of the MAC address table. Source learning always starts tracking MAC address age from the time since the last packet was received.

By default, the aging time is set to 300 seconds (5 minutes) and is configured on a global basis using the **mac-address-table aging-time** command. For example, the following sets the aging time for all VLANs to 1200 seconds (20 minutes):

```
-> mac-address-table aging-time 1200
```

A MAC address learned on any VLAN port will age out if the time since a packet with that address was last seen on the port exceeds 1200 seconds.

Note. Note that the aging time used is twice the length in time of the actual value specified. For example, if an aging time of 60 seconds is specified, the MAC will age out after 120 seconds of inactivity.

When using the **mac-address-table aging-time** command in a switch configuration file (e.g., **boot.cfg**), include an instance of this command specifying the VLAN ID for each VLAN configured on the switch. This is necessary even though if all VLANs will have the same aging time value.

To set the aging time back to the default value, use the **no** form of the **mac-address-table aging-time** command. For example, the following sets the aging time for all VLANs back to the default of 300 seconds:

```
-> no mac-address-table aging-time
```

Note. The MAC address table aging time is also used as the timeout value for the Address Resolution Protocol (ARP) table. This timeout value determines how long the switch retains dynamically learned ARP table entries. See [Chapter 12, “Configuring IP,”](#) for more information.

To display the aging time value for one or all VLANs, use the **show mac-address-table aging-time** command. For more information about this command, see the *OmniSwitch CLI Reference Guide*.

Displaying MAC Address Table Information

To display MAC Address Table entries, statistics, and aging time values, use the show commands listed below:

- | | |
|--|---|
| show mac-address-table | Displays a list of all MAC addresses known to the MAC address table, including static MAC addresses. |
| show mac-address-table count | Displays a count of the different types of MAC addresses (learned, permanent, reset, and timeout). Also includes a total count of all addresses known to the MAC address table. |
| show mac-address-table aging-time | Displays the current MAC address aging timer value by switch or VLAN. |

For more information about the resulting displays from these commands, see the *OmniSwitch CLI Reference Guide*. An example of the output for the **show mac-address-table** and **show mac-address-table aging-time** commands is also given in [“Sample MAC Address Table Configuration” on page 2-2](#).

3 Configuring Learned Port Security

Learned Port Security (LPS) provides a mechanism for authorizing source learning of MAC addresses on Ethernet and Gigabit Ethernet ports. The only types of Ethernet ports that LPS does not support are link aggregate and tagged (trunked) link aggregate ports. Using LPS to control source MAC address learning provides the following benefits:

- A configurable source learning time limit that applies to all LPS ports.
- A configurable limit on the number of MAC addresses allowed on an LPS port.
- Dynamic configuration of a list of authorized source MAC addresses.
- Static configuration of a list of authorized source MAC addresses.
- Two methods for handling unauthorized traffic: stopping all traffic on the port or only blocking traffic that violates LPS criteria.

In This Chapter

This chapter describes how to configure LPS parameters through the Command Line Interface (CLI). CLI commands are used in the configuration examples; for more details about the syntax of commands, see the *OmniSwitch CLI Reference Guide*.

Configuration procedures described in this chapter include:

- Enabling LPS for a port on [page 3-7](#).
- Specifying a source learning time limit for all LPS ports on [page 3-7](#).
- Configuring the maximum number of MAC addresses learned per port on [page 3-8](#).
- Configuring a list of authorized MAC addresses for an LPS port on [page 3-8](#).
- Configuring a range of authorized MAC addresses for an LPS port on [page 3-9](#).
- Selecting the security violation mode for an LPS port on [page 3-10](#).
- Displaying LPS configuration information on [page 3-10](#).

For more information about source MAC address learning, see [Chapter 2, “Managing Source Learning.”](#)

Learned Port Security Specifications

RFCs supported	Not applicable at this time.
IEEE Standards supported	Not applicable at this time.
Ports eligible for Learned Port Security	Ethernet and gigabit Ethernet ports (fixed, mobile, 802.1Q tagged, and authenticated ports).
Ports not eligible for Learned Port Security	Link aggregate ports. 802.1Q (trunked) link aggregate ports.
Minimum number of learned MAC addresses allowed per port	1
Maximum number of learned MAC addresses allowed per port	100
Maximum number of configurable MAC address ranges per LPS port.	1
Maximum number of learned MAC addresses per switch	8K
Maximum number of learned MAC addresses total for a stack of switches	8K

Learned Port Security Defaults

Parameter Description	Command	Default
LPS status for a port.	port-security	disabled
Number of learned MAC addresses allowed on an LPS port.	port security maximum	1
Source learning time limit.	port-security shutdown	disabled
Configured MAC addresses per LPS port.	port-security mac	none
MAC address range per LPS port.	port-security mac-range	00:00:00:00:00:00– ff:ff:ff:ff:ff:ff
LPS port violation mode.	port-security violation	restrict

Sample Learned Port Security Configuration

This section provides a quick tutorial that demonstrates the following tasks:

- Enabling LPS on a set of switch ports.
- Defining the maximum number of learned MAC addresses allowed on an LPS port.
- Defining the time limit in which source learning is allowed on all LPS ports.
- Selecting a method for handling unauthorized traffic received on an LPS port.

Note that LPS is supported on Ethernet and gigabit Ethernet fixed, mobile, tagged and authenticated ports. Link aggregate and tagged (trunked) link aggregate ports are not eligible for LPS monitoring and control.

1 Enable LPS on ports 6 through 12 on slot 3, 4, and 5 using the following command:

```
-> port-security 3/6-12 4/6-12 5/6-12 enable
```

2 Set the total number of learned MAC addresses allowed on the same ports to 25 using the following command:

```
-> port-security 3/6-12 4/6-12 5/6-12 maximum 25
```

3 Configure the amount of time in which source learning is allowed on all LPS ports to 30 minutes using the following command:

```
-> port-security shutdown 30
```

4 Select **shutdown** for the LPS violation mode using the following command:

```
-> port-security 3/6-12 4/6-12 5/6-12 violation shutdown
```

Note. *Optional.* To verify LPS port configurations, use the [show port-security](#). For example:

```
-> show port-security
```

Port	Security	MaxMacs	Violation	LowMac	HighMac	IndividualMac	MacType
2/2	enabled	25	restrict	00:20:95:00:00:10	00:20:95:00:00:20		
4/8	enabled	100	shutdown	00:00:00:00:00:00	ff:ff:ff:ff:ff:ff	00:da:92:3a:59:0c	configured
6/1	enabled	10	shutdown	00:00:00:00:00:00	ff:ff:ff:ff:ff:ff	00:da:92:4b:6a:1d	dynamic
						00:da:92:5c:7b:2e	dynamic
6/5	enabled	100	restrict	00:00:00:00:00:00	ff:ff:ff:ff:ff:ff	00:da:92:00:1a:20	configured

To verify the new source learning time limit value, use the [show port-security shutdown](#) command. For example:

```
-> show port-security shutdown
LPS Shutdown = 30
```

Learned Port Security Overview

Learned Port Security (LPS) provides a mechanism for controlling network device access on one or more switch ports. Configurable LPS parameters allow the user to restrict the source learning of host MAC addresses to:

- A specific amount of time in which the switch allows source learning to occur on all LPS ports.
- A maximum number of learned MAC addresses allowed on the port.
- A list of configured authorized source MAC addresses allowed on the port.

Additional LPS functionality allows the user to specify how the LPS port handles unauthorized traffic. The following two options are available for this purpose:

- Block only traffic that violates LPS port restrictions; authorized traffic is forwarded on the port.
- Disable the LPS port when unauthorized traffic is received; all traffic is stopped and a port reset is required to return the port to normal operation.

LPS functionality is supported on the following Ethernet and Gigabit Ethernet port types:

- Fixed (non-mobile)
- Mobile
- 802.1Q tagged
- Authenticated

The following port types are not supported:

- Link aggregate
- Tagged (trunked) link aggregate

How LPS Authorizes Source MAC Addresses

When a packet is received on a port that has LPS enabled, switch software checks the following criteria to determine if the source MAC address contained in the packet is allowed on the port:

- Is the source learning time window open?
- Is the number of MAC addresses learned on the port below the maximum number allowed?
- Is there a configured authorized MAC address entry for the LPS port that matches the packet's source MAC address?

Using the above criteria, the following table shows the conditions under which a MAC address is learned or blocked on an LPS port:

Time Limit	Max Number	Configured MAC	Result
Open	Below	No entry	No LPS violation; MAC learned
Closed	Below	No entry	LPS violation; MAC blocked
Open	Above	No entry	LPS violation; MAC blocked
Open	Below	Yes; entry matches	No LPS violation; MAC learned
Closed	Below	Yes; entry matches	No LPS violation; MAC learned
Open	Above	Yes; entry matches	LPS violation; MAC blocked
Open	Below	Yes; entry doesn't match	No LPS violation; MAC learned
Closed	Below	Yes; entry doesn't match	LPS violation; MAC blocked
Open	Above	Yes; entry doesn't match	LPS violation; MAC blocked

When a source MAC address violates any of the LPS conditions, the address is considered unauthorized. The LPS violation mode determines if the unauthorized MAC address is simply blocked on the port or if the entire port is disabled (see [“Selecting the Security Violation Mode” on page 3-10](#)). Regardless of which mode is selected, notice is sent to the Switch Logging task to indicate that a violation has occurred.

Dynamic Configuration of Authorized MAC Addresses

Once LPS authorizes the learning of a source MAC address, an entry containing the address and the port it was learned on is made in an LPS database table. This entry is then used as criteria for authorizing future traffic from this source MAC on that same port. In other words, learned authorized MAC addresses become configured criteria for an LPS port.

For example, if the source MAC address 00:da:95:00:59:0c is received on port 2/10 and meets the LPS restrictions defined for that port, then this address and its port are recorded in the LPS table. All traffic that is received on port 2/10 is compared to the 00:da:95:00:59:0c entry. If any traffic received on this port consists of packets that do not contain a matching source address, the packets are then subject to the LPS source learning time limit window and the maximum number of addresses allowed criteria.

When a dynamically configured MAC address is added to the LPS table, it does not become a configured MAC address entry in the LPS table until the switch configuration file is saved and the switch is rebooted. If a reboot occurs before this is done, all dynamically learned MAC addresses in the LPS table are cleared.

Static Configuration of Authorized MAC Addresses

It is also possible to statically configure authorized source MAC address entries into the LPS table. This type of entry behaves the same way as dynamically configured entries in that it authorizes port access to traffic that contains a matching source MAC address.

Static source MAC address entries, however, take precedence over dynamically learned entries. For example, if there are 2 static MAC address entries configured for port 2/1 and the maximum number allowed on port 2/1 is 10, then only 8 dynamically learned MAC addresses are allowed on this port.

Note that source learning of configured authorized MAC addresses is still allowed after the LPS time limit has expired. However, all learning is stopped if the number of MAC addresses learned meets or exceeds the maximum number of addresses allowed, even if the LPS time limit has not expired.

There are two ways to define a static source MAC address entry in the LPS table; specify an individual MAC address or a range of MAC addresses. See [“Configuring Authorized MAC Addresses” on page 3-8](#) and [“Configuring an Authorized MAC Address Range” on page 3-9](#) for more information.

Understanding the LPS Table

The LPS database table is separate from the source learning MAC address table. However, when a MAC is authorized for learning on an LPS port, an entry is made in the MAC address table in the same manner as if it was learned on a non-LPS port (see [Chapter 2, “Managing Source Learning,”](#) for more information).

In addition to dynamic and configured source MAC address entries, the LPS table also provides the following information for each eligible LPS port:

- The LPS status for the port; enabled or disabled.
- The maximum number of MAC addresses allowed on the port.
- The violation mode selected for the port; restrict or shutdown.
- Statically configured MAC addresses and MAC address ranges.
- All MAC addresses learned on the port.
- The management status for the MAC address entry; configured or dynamic.

Note that dynamic MAC address entries become configured entries after the switch configuration is saved and the switch is rebooted. However, any dynamic MAC address entries that are not saved to the switch configuration are cleared if the switch reboots before the next save.

If the LPS port is shut down or the network device is disconnected from the port, the LPS table entries for this port are retained, but the source learning MAC address table entries for the same port are automatically cleared. In addition, if an LPS table entry is intentionally cleared from the table, the MAC address for this entry is automatically cleared from the source learning table at the same time.

To view the contents of the LPS table, use the [show port-security](#) command. Refer to the *OmniSwitch CLI Reference Guide* for more information about this command.

Enabling/Disabling Learned Port Security

By default, LPS is disabled on all switch ports. To enable LPS on a port, use the **port-security** command. For example, the following command enables LPS on port 1 of slot 4:

```
-> port-security 4/1 enable
```

To enable LPS on multiple ports, specify a range of ports or multiple slots. For example:

```
-> port-security 4/1-5 enable  
-> port-security 5/12-20 6/10-15 enable
```

Note that when LPS is enabled on an active port, all MAC addresses learned on that port prior to the time LPS was enabled are cleared from the source learning MAC address table.

To disable LPS on a port, use the **port-security** command with the **disable** parameter. For example, the following command disables LPS on a range of ports:

```
-> port-security 5/21-24 6/1-4 disable
```

When LPS is disabled on a port, MAC address entries for that port are retained in the LPS table. The next time LPS is enabled on the port, the same LPS table entries are again active. If there is a switch reboot before the switch configuration is saved, however, dynamic MAC address entries are discarded from the table.

Use the **no** form of this command to disable LPS *and* clear all entries (configured and dynamic) in the LPS table for the specified port. For example:

```
-> no port-security 5/10
```

Configuring a Source Learning Time Limit

By default, the source learning time limit is disabled. Use the **port-security shutdown** command to set the number of minutes the source learning window is to remain open for LPS ports. While this window is open, source MAC addresses that comply with LPS port restrictions are authorized for learning on the related LPS port. The following actions trigger the start of the source learning timer:

- The **port-security shutdown** command. Each time this command is issued, the timer restarts even if a current window is still open or a previous window has expired.
- Switch reboot with a **port-security shutdown** command entry saved in the **boot.cfg** file.

The LPS source learning time limit is a switch-wide parameter that applies to all LPS enabled ports, not just one or a group of LPS ports. The following command example sets the time limit value to 30 minutes:

```
-> port-security shutdown time 30
```

Once the time limit value expires, source learning of any new dynamic MAC addresses is stopped on all LPS ports even if the number of addresses learned does not exceed the maximum allowed.

Note. Source learning of configured authorized MAC addresses is still allowed after the LPS time limit has expired; however, all learning is stopped if the number of MAC addresses learned meets or exceeds the maximum number of addresses allowed, even if the LPS time limit has not expired.

Configuring the Number of MAC Addresses Allowed

By default, one MAC address is allowed on an LPS port. To change this number, enter **port-security** followed by the port's *slot/port* designation then **maximum** followed by a number between 1 and 100. For example, the following command sets the maximum number of MAC addresses learned on port 10 of slot 6 to 75:

```
-> port-security 6/10 maximum 75
```

To specify a maximum number of MAC addresses allowed for multiple ports, specify a range of ports or multiple slots. For example:

```
-> port-security 1/10-15 maximum 10  
-> port-security 2/1-5 4/2-8 5/10-14 maximum 25
```

Not that configured MAC addresses count towards the maximum number allowed. For example, if there are 10 configured authorized MAC addresses for an LPS port and the maximum number of addresses allowed is set to 15, then only 5 dynamically learned MAC address are allowed on this port.

If the maximum number of MAC addresses allowed is reached before the switch LPS time limit expires, then all source learning of dynamic *and* configured MAC addresses is stopped on the LPS port.

Configuring Authorized MAC Addresses

To configure a single source MAC address entry in the LPS table, enter **port-security** followed by the port's *slot/port* designation, then **mac** followed by a valid MAC address. For example, the following command configures a MAC address for port 4 on slot 6:

```
-> port-security 6/4 mac 00:20:da:9f:58:0c
```

To configure a single source MAC address entry for multiple ports, specify a range of ports or multiple slots. For example:

```
-> port-security 4/1-5 mac 00:20:95:41:2e:3f  
-> port-security 5/12-20 6/10-15 mac 00:20:da:cf:59:4a
```

Use the **no** form of this command to clear configured *and/or* dynamic MAC address entries from the LPS table. For example, the following command removes a MAC address entry for port 12 of slot 4 from the LPS table:

```
-> port-security 4/12 no mac 00:20:95:00:fa:5c
```

Note that when a MAC address is cleared from the LPS table, it is automatically cleared from the source learning MAC address table at the same time.

Configuring an Authorized MAC Address Range

By default, each LPS port is set to a range of 00:00:00:00:00:00–ff:ff:ff:ff:ff:ff, which includes all MAC addresses. If this default is not changed, then addresses received on LPS ports are subject only to the source learning time limit and maximum number of MAC addresses allowed restrictions for the port.

To configure a source MAC address range for an LPS port, enter **port-security** followed by the port's *slot/port* designation, then **mac-range** followed by **low** and a MAC address, then **high** and a MAC address. For example, the following command configures a MAC address range for port 1 on slot 4:

```
-> port-security 4/1 mac low 00:20:da:00:00:10 high 00:20:da:00:00:50
```

To configure a source MAC address range for multiple ports, specify a range of ports or multiple slots. For example:

```
-> port-security 4/1-5 mac-range low 00:20:da:00:00:10 high 00:20:da:00:00:50
-> port-security 2/1-4 4/5-8 mac-range low 00:20:d0:59:0c:9a high
00:20:d0:59:0c:9f
```

To set the range back to the default values, enter **port-security** followed by the port's *slot/port* designation then **mac-range**. Leaving off the **low** and **high** MAC addresses will reset the range back to 00:00:00:00:00:00 and ff:ff:ff:ff:ff:ff. For example, the following command sets the authorized MAC address range to the default values for port 12 of slot 4:

```
-> port-security 4/12 mac-range
```

In addition, specifying a low end MAC and a high end MAC is optional. If either one is not specified, the default value is used. For example, the following commands set the authorized MAC address range on the specified ports to 00:da:25:59:0c:10–ff:ff:ff:ff:ff:ff and 00:00:00:00:00:00–00:da:25:00:00:9a:

```
-> port-security 2/8 mac-range low pp:da:25:59:0c
-> port-security 2/10 mac-range high 00:da:25:00:00:9a
```

Refer to the *OmniSwitch CLI Reference Guide* for more information about this command.

Selecting the Security Violation Mode

By default, the security violation mode for an LPS port is set to **restrict**. In this mode, when an unauthorized MAC address is received on an LPS port, the packet containing the address is blocked. However, all other packets that contain an authorized source MAC address are allowed to forward on the port.

Note that unauthorized source MAC addresses are not learned in the LPS table but are still recorded in the source learning MAC address table with a filtered operational status. This allows the user to view MAC addresses that were attempting unauthorized access to the LPS port.

The other violation mode option is **shutdown**. In this mode, the LPS port is disabled when an unauthorized MAC address is received; all traffic is prevented from forwarding on the port. After a shutdown occurs, a manual reset is required to return the port back to normal operation.

To configure the security violation mode for an LPS port, enter **port-security** followed by the port's *slot/port* designation, then **violation** followed by **restrict** or **shutdown**. For example, the following command selects the shutdown mode for port 1 on slot 4:

```
-> port-security 4/1 violation shutdown
```

To configure the security violation mode for multiple LPS ports, specify a range of ports or multiple slots. For example:

```
-> port-security 4/1-10 violation shutdown  
-> port-security 1/10-15 2/1-10 violation restrict
```

Displaying Learned Port Security Information

To display LPS port and table information, use the show commands listed below:

show port-security	Displays Learned Port Security configuration values as well as MAC addresses learned on the port.
show port-security shutdown	Displays the current time limit value set for source learning on all LPS enabled ports.

For more information about the resulting display from these commands, see the *OmniSwitch CLI Reference Guide*. An example of the output for the **show port-security** and **show port-security shutdown** commands is also given in [“Sample Learned Port Security Configuration” on page 3-3](#).

4 Configuring VLANs

In a flat bridged network, a broadcast domain is confined to a single LAN segment or even a specific physical location, such as a department or building floor. In a switch-based network, such as one comprised of Alcatel switching systems, a broadcast domain—or *VLAN*— can span multiple physical switches and can include ports from a variety of media types. For example, a single VLAN could span three different switches located in different buildings and include 10/100 Ethernet, Gigabit Ethernet, 802.1q tagged ports and/or a link aggregate of ports.

In This Chapter

This chapter describes how to define and manage VLAN configurations through the Command Line Interface (CLI). CLI commands are used in the configuration examples; for more details about the syntax of commands, see the *OmniSwitch CLI Reference Guide*.

Configuration procedures described in this chapter include:

- “Creating/Modifying VLANs” on page 4-5.
- “Defining VLAN Port Assignments” on page 4-6.
- “Enabling/Disabling VLAN Mobile Tag Classification” on page 4-9.
- “Enabling/Disabling Spanning Tree for a VLAN” on page 4-10.
- “Enabling/Disabling VLAN Authentication” on page 4-11.
- “Configuring VLAN Router Ports” on page 4-11.
- “Bridging VLANs Across Multiple Switches” on page 4-14.
- “Verifying the VLAN Configuration” on page 4-15.

For information about statically and dynamically assigning switch ports to VLANs, see [Chapter 6](#), “Assigning Ports to VLANs.”

For information about defining VLAN rules that allow dynamic assignment of mobile ports to a VLAN, see [Chapter 7](#), “Defining VLAN Rules.”

For information about Spanning Tree, see [Chapter 5](#), “Configuring Spanning Tree Parameters.”

For information about routing, see [Chapter 12](#), “Configuring IP.”

For information about Layer 2 VLAN authentication, see [Chapter 18](#), “Configuring Authenticated VLANs.”

VLAN Specifications

RFCs Supported	2674 - <i>Definitions of Managed Objects for Bridges with Traffic Classes, Multicast Filtering and Virtual LAN Extensions</i>
IEEE Standards Supported	802.1Q - <i>Virtual Bridged Local Area Networks</i> 802.1D - <i>Media Access Control Bridges</i>
Maximum VLANs per stack	1024 (including default VLAN 1)
Maximum VLAN port associations per switch or stack	32768
Maximum IP router port VLANs per switch or stack	1024
Maximum IPX router port VLANs per switch or stack	0 (IPX routing not supported in this release)
Maximum Spanning Tree VLANs per switch or stack	254
Maximum authenticated VLANs per switch or stack	128
MAC Router Mode Supported	Single
CLI Command Prefix Recognition	All VLAN management commands support prefix recognition. See the “Using the CLI” chapter in the <i>OmniSwitch 6800 Switch Management Guide</i> for more information.

VLAN Defaults

Parameter Description	Command	Default
VLAN identifier (VLAN ID)	vlan	VLAN 1 predefined on each switch.
VLAN administrative state	vlan	Enabled
VLAN description	vlan name	VLAN identifier (VLAN ID)
VLAN Spanning Tree state	vlan stp	Enabled (Disabled if VLAN count exceeds 254)
VLAN mobile tag status	vlan mobile-tag	Disabled
VLAN IP router port	vlan router ip	No router port defined.
VLAN IP router MTU size	vlan mtu-ip	1500 bytes
VLAN authentication status	vlan authentication	Disabled
VLAN port associations	vlan port default	All ports initially associated with default VLAN 1.

Sample VLAN Configuration

The following steps provide a quick tutorial that will create VLAN 255 on a stack configuration that includes four OmniSwitch 6800 units. Also included are steps to define a VLAN description, IP router port, and static switch port assignments.

Note. *Optional.* Creating a new VLAN involves specifying a VLAN ID that is not already assigned to an existing VLAN. To determine if a VLAN already exists in the switch configuration, enter **show vlan**. If VLAN 255 does not appear in the **show vlan** output, then it does not exist on the switch. For example,

```
-> show vlan
```

vlan	admin	oper	stree	auth	ip	ipx	mble tag	name
1	on	off	on	off	off	NA	off	VLAN 1
30	on	off	on	off	off	NA	on	VLAN 30
400	on	off	on	off	off	NA	on	VLAN 400

1 Create VLAN 255 with a description (e.g., Finance IP Network) using the following command:

```
-> vlan 255 name "Finance IP Network"
```

2 Define an IP router port using the following command to assign an IP host address of 21.0.0.10 to VLAN 255 that will enable routing of VLAN traffic to other subnets:

```
-> vlan 255 router ip 21.0.0.10
```

3 Assign switch ports 2 through 4 on switch 3 in the stack to VLAN 255 using the following command:

```
-> vlan 255 port default 3/2-4
```

Note. *Optional.* To verify the VLAN 255 configuration, use the **show vlan** command. For example:

```
-> show vlan 255
Name                : Finance IP Network,
Administrative State: enabled,
Operational State  : disabled,
Spanning Tree State: enabled,
Authentication     : disabled,
IP Router Port     : 21.0.0.10 255.0.0.0 forward e2,
IPX Router Port    : NA
Mobile Tag         : off
```

To verify that ports 3/2-4 were assigned to VLAN 255, use the **show vlan port** command. For example:

```
-> show vlan 255 port
```

port	type	status
3/2	default	inactive
3/3	default	inactive
3/4	default	inactive

VLAN Management Overview

One of the main benefits of using VLANs to segment network traffic, is that VLAN configuration and port assignment is handled through switch software. This eliminates the need to physically change a network device connection or location when adding or removing devices from the VLAN broadcast domain. The VLAN management software handles the following VLAN configuration tasks performed on an Alcatel switch:

- Creating or modifying VLANs.
- Assigning or changing default VLAN port associations (VPAs).
- Enabling or disabling VLAN participation in the current Spanning Tree algorithm.
- Enabling or disabling classification of mobile port traffic by 802.1Q tagged VLAN ID.
- Enabling or disabling VLAN authentication.
- Defining VLAN IP router ports.
- Displaying VLAN configuration information.

In addition to the above tasks, VLAN management software tracks and reports the following information to other switch software features:

- VLAN configuration changes, such as adding or deleting VLANs, modifying the status of VLAN properties (e.g., administrative, Spanning Tree, and authentication status), changing the VLAN description, or configuring VLAN router ports.
- VLAN port associations triggered by VLAN management and other switch software applications, such as 802.1Q VLAN tagging and dynamic mobile port assignment.
- The VLAN operational state, which is inactive until at least one active switch port is associated with the VLAN.

Creating/Modifying VLANs

The initial configuration for all Alcatel switches consists of a default VLAN 1 and all switch ports are initially assigned to this VLAN. When a switching module is added to the switch, the module's physical ports are also assigned to VLAN 1. If additional VLANs are not configured on the switch, then the entire switch is treated as one large broadcast domain. All ports will receive all traffic from all other ports.

Up to 1024 VLANs are supported per stack, including default VLAN 1. In compliance with the IEEE 802.1Q standard, each VLAN is identified by a unique number, referred to as the *VLAN ID*. The user specifies a VLAN ID to create, modify or remove a VLAN and to assign switch ports to a VLAN. When a packet is received on a port, the port's VLAN ID is inserted into the packet. The packet is then bridged to other ports that are assigned to the same VLAN ID. In essence, the VLAN broadcast domain is defined by a collection of ports and packets assigned to its VLAN ID.

A VLAN's operational status remains inactive until at least one active switch port is assigned to the VLAN. This means that VLAN properties, such as Spanning Tree or router ports, also remain inactive. Ports are considered active if they are connected to an active network device. Non-active port assignments are allowed, but do not change the VLAN's operational state.

Ports are either statically or dynamically assigned to VLANs. When a port is assigned to a VLAN, a VLAN port association (VPA) is created and tracked by VLAN management switch software. For more information about VPAs, see [“Defining VLAN Port Assignments” on page 4-6](#) and [Chapter 6, “Assigning Ports to VLANs.”](#)

Adding/Removing a VLAN

To add a VLAN to the switch configuration, enter **vlan** followed by a unique VLAN ID number between 2 and 4094, an optional administrative status, and an optional description. For example, the following command creates VLAN 755 with a description:

```
-> vlan 755 enable name "IP Finance Network"
```

By default, administrative status and Spanning Tree are enabled when the VLAN is created and the VLAN ID is used for the description if one is not specified. Note that quotation marks are required if the description contains multiple words separated by spaces. If the description consists of only one word or multiple words separated by another character, such as a hyphen, then quotes are not required.

To remove a VLAN from the switch configuration, use the **no** form of the **vlan** command.

```
-> no vlan 755
```

When a VLAN is deleted, any router ports defined for the VLAN are removed and all VLAN port associations are dropped. For more information about VLAN router ports, see [“Configuring VLAN Router Ports” on page 4-11](#).

Note that up to 254 Spanning Tree instances per switch are supported in the 1x1 Spanning Tree mode. Since each VLAN with Spanning Tree enabled uses one of these instances, only 254 VLANs can have an active Spanning Tree instance at any given time.

To create more than 254 VLANs on a switch running in the 1x1 Spanning Tree mode, use the **vlan stp disable**, **vlan 1x1 stp disable**, or **vlan flat stp disable** command to create a VLAN with Spanning Tree disabled. See [“Enabling/Disabling Spanning Tree for a VLAN” on page 4-10](#) for more information.

To view a list of VLANs already configured on the switch, use the **show vlan** command. See [“Verifying the VLAN Configuration” on page 4-15](#) for more information.

Enabling/Disabling the VLAN Administrative Status

To enable or disable the administrative status for an existing VLAN, enter **vlan** followed by an existing VLAN ID and either **enable** or **disable**.

```
-> vlan 755 disable
-> vlan 255 enable
```

When the administrative status for a VLAN is disabled, VLAN port assignments are retained but traffic is not forwarded on these ports. If any rules were defined for the VLAN, they are also retained and continue to classify mobile port traffic. See [Chapter 7, “Defining VLAN Rules,”](#) for more information.

Modifying the VLAN Description

To change the description for a VLAN, enter **vlan** followed by an existing VLAN ID and the keyword **name** followed by the new description (up to 32 characters). For example, the following command changes the description for VLAN 455 to “Marketing IP Network”:

```
-> vlan 455 name "Marketing IP Network"
```

Note that quotation marks are required if the description consists of multiple words separated by spaces. If the description consists of only one word or words are separated by another character, such as a hyphen, then quotes are not required. For example,

```
-> vlan 455 name Marketing-IP-Network
```

Defining VLAN Port Assignments

Alcatel switches support static and dynamic assignment of physical switch ports to a VLAN. Regardless of how a port is assigned to a VLAN, once the assignment occurs, a VLAN port association (VPA) is created and tracked by VLAN management software on each switch. To view current VLAN port assignments in the switch configuration, use the **show vlan port** command.

Methods for statically assigning ports to VLANs include the following:

- Using the **vlan port default** command to define a new configured default VLAN for both non-mobile (fixed) and mobile ports. (See [“Changing the Default VLAN Assignment for a Port”](#) on page 4-7.)
- Using the **vlan 802.1q** command to define tagged VLANs for non-mobile ports. This method allows the switch to bridge traffic for multiple VLANs over one physical port connection. (See [Chapter 9, “Configuring 802.1Q.”](#))
- Configuring ports as members of a link aggregate that is assigned to a configured default VLAN. (See [Chapter 10, “Configuring Static Link Aggregation,”](#) and [Chapter 11, “Configuring Dynamic Link Aggregation,”](#) for more information.)

Dynamic assignment applies only to mobile ports. When traffic is received on a mobile port, the packets are classified using one of the following methods to automatically determine VLAN assignment (see [Chapter 6, “Assigning Ports to VLANs,”](#) for more information):

- Packet is tagged with a VLAN ID that matches the ID of another VLAN that has mobile tagging enabled. (See [“Enabling/Disabling VLAN Mobile Tag Classification”](#) on page 4-9.)
- Packet contents matches criteria defined in a VLAN rule. (See [“Configuring VLAN Rule Classification”](#) on page 4-8 and [Chapter 7, “Defining VLAN Rules.”](#))

Changing the Default VLAN Assignment for a Port

To assign a switch port to a new default VLAN, enter **vlan** followed by an existing VLAN ID number, **port default**, then the slot/port designation. For example, the following command assigns port 5 on slot 2 to VLAN 955:

```
-> vlan 955 port default 2/5
```

All ports initially belong to default VLAN 1. When the **vlan port default** command is used, the port's default VLAN assignment is changed to the specified VLAN. In the above example, VLAN 955 is now the default VLAN for port 5 on slot 2 and this port is no longer associated with VLAN 1.

The **vlan port default** command is also used to change the default VLAN assignment for an aggregate of ports. The link aggregate control number is specified instead of a slot and port. For example, the following command assigns link aggregate 10 to VLAN 755:

```
-> vlan 755 port default 10
```

For more information about configuring an aggregate of ports, see [Chapter 10, "Configuring Static Link Aggregation,"](#) and [Chapter 11, "Configuring Dynamic Link Aggregation."](#)

Use the **no** form of the **vlan port default** command to remove a default VPA. When this is done, VLAN 1 is restored as the port's default VLAN.

```
-> vlan 955 no port default 2/5
```

Configuring Dynamic VLAN Port Assignment

Configuring the switch to allow dynamic VLAN port assignment requires the following steps:

- 1 Use the **vlan port mobile** command to enable mobility on switch ports that will participate in dynamic VLAN assignment. See [Chapter 6, "Assigning Ports to VLANs,"](#) for detailed procedures.
- 2 Enable/disable mobile port properties that determine mobile port behavior. See [Chapter 6, "Assigning Ports to VLANs,"](#) for detailed procedures.
- 3 Create VLANs that will receive and forward mobile port traffic. See ["Adding/Removing a VLAN" on page 4-5](#) for more information.
- 4 Configure the method of traffic classification (VLAN rules or tagged VLAN ID) that will trigger dynamic assignment of mobile ports to the VLANs created in Step 3. See ["Configuring VLAN Rule Classification" on page 4-8](#) and ["Enabling/Disabling VLAN Mobile Tag Classification" on page 4-9](#).

Once the above configuration steps are completed, dynamic VLAN assignment occurs when a device connected to a mobile port starts to send traffic. This traffic is examined by switch software to determine which VLAN should carry the traffic based on the type of classification, if any, defined for a particular VLAN.

Note that VLAN mobile tag classification takes precedence over VLAN rule classification. If a mobile port receives traffic that matches a VLAN rule and also has an 802.1Q VLAN ID tag for a VLAN with mobile tagging enabled, the port is dynamically assigned to the mobile tag VLAN and not the matching rule VLAN.

See [Chapter 6, "Assigning Ports to VLANs,"](#) and [Chapter 7, "Defining VLAN Rules,"](#) for more information and examples of dynamic VLAN port assignment.

Configuring VLAN Rule Classification

VLAN rule classification triggers dynamic VLAN port assignment when traffic received on a mobile port matches the criteria defined in a VLAN rule. Different rule types are available for classifying different types of network device traffic. It is possible to define multiple rules for one VLAN and rules for multiple VLANs. However, only IP and IPX protocol rules support the dynamic assignment of one mobile port to multiple VLANs.

The following table provides a list of commands used to define the various types of VLAN rules. For more detailed information about rule criteria and classification, see [Chapter 7, “Defining VLAN Rules.”](#)

Rule Types	Command
DHCP	<code>vlan dhcp mac</code> <code>vlan dhcp mac range</code> <code>vlan dhcp port</code> <code>vlan dhcp generic</code>
Binding	<code>vlan binding mac-ip-port</code> <code>vlan binding mac-port</code> <code>vlan binding port-protocol</code>
MAC address	<code>vlan mac</code> <code>vlan mac range</code>
Network address	<code>vlan ip</code> <code>vlan ipx</code>
Protocol	<code>vlan protocol</code>
Port	<code>vlan port</code>

Enabling/Disabling VLAN Mobile Tag Classification

Use the **vlan mobile-tag** command to enable or disable the classification of mobile port packets based on 802.1Q VLAN ID tag. For example, the following commands enable the mobile tag attribute for VLAN 1525 and disable it for VLAN 224:

```
-> vlan 1525 mobile-tag enable
-> vlan 224 mobile-tag disable
```

If a mobile port that is statically assigned to VLAN 10 receives an 802.1Q tagged packet with a VLAN ID of 1525, the port and packet are dynamically assigned to VLAN 1525. In this case, the mobile port now has a VLAN port association defined for VLAN 10 and for VLAN 1525. If a mobile port, however, receives a tagged packet containing a VLAN ID tag of 224, the packet is discarded because the VLAN mobile tag classification attribute is disabled on VLAN 224.

In essence, the VLAN mobile tag attribute provides a dynamic 802.1Q tagging capability. Mobile ports can now receive and process 802.1Q tagged packets destined for a VLAN that has this attribute enabled. This feature also allows the dynamic assignment of mobile ports to more than one VLAN at the same time, as discussed in the above example.

VLAN mobile tagging differs from 802.1Q tagging as follows:

VLAN Mobile Tag	802.1Q Tag
Allows mobile ports to receive 802.1Q tagged packets.	Not supported on mobile ports.
Enabled on the VLAN that will receive tagged mobile port traffic.	Enabled on fixed ports; tags port traffic for destination VLAN.
Triggers dynamic assignment of tagged mobile port traffic to one or more VLANs.	Statically assigns (tags) fixed ports to one or more VLANs.

If 802.1Q tagging is required on a fixed (non-mobile) port, then the **vlan 802.1q** command is still used to statically tag VLANs for the port. See [Chapter 9, “Configuring 802.1Q,”](#) for more information.

Enabling/Disabling Spanning Tree for a VLAN

When a VLAN is created, an 802.1D standard Spanning Tree Algorithm and Protocol (STP) instance is enabled for the VLAN by default. The spanning tree operating mode set for the stack determines how VLAN ports are evaluated to identify redundant data paths.

If the Spanning Tree switch operating mode is set to *flat*, then VLAN port connections are checked against other VLAN port connections for redundant data paths. Note that the single flat mode STP instance is referred to as *instance 0*. In this mode, if STP instance 0 is disabled, then it is disabled for all configured VLANs. However, disabling STP on an individual VLAN will exclude only that VLAN's ports from the flat STP algorithm.

If the Spanning Tree operating mode is set to *1x1*, there is a single Spanning Tree instance for each VLAN broadcast domain. Enabling or disabling STP on a VLAN in this mode will include or exclude the VLAN from the 1x1 STP algorithm.

The **vlan stp** command is used to enable/disable a Spanning Tree instance for an existing VLAN. In the following examples, Spanning Tree is disabled on VLAN 255 and enabled on VLAN 755:

```
-> vlan 255 stp disable
-> vlan 755 stp enable
```

Note the following when using the **vlan stp** command. For more information about the **vlan stp** command, see the *OmniSwitch CLI Reference Guide*:

- If the VLAN ID specified with this command is that of a VLAN that does not exist, the VLAN is automatically created. On all other OmniSwitch platforms, a *vid* of an existing VLAN is required.
- This command configures the VLAN STP status for both the 1x1 and flat Spanning Tree modes. Using the **1x1** or **flat** parameter with this command, configures the STP status only for the mode specified by the parameter.
- Up to 254 Spanning Tree instances per switch are supported in the 1x1 Spanning Tree mode on an OmniSwitch 6800. Since each VLAN with Spanning Tree enabled uses one of these instances, only 254 VLANs can have an active Spanning Tree instance at any given time.
- To create more than 254 VLANs on an OmniSwitch 6800 running in the 1x1 Spanning Tree mode, use the **vlan stp disable**, **vlan 1x1 stp disable**, or **vlan flat stp disable** form of this command to create a VLAN with Spanning Tree disabled.

STP does not become operationally active on a VLAN unless the VLAN is operationally active, which occurs when at least one active port is assigned to the VLAN. Also, STP is enabled/disabled on individual ports. So even if STP is enabled for the VLAN, a port assigned to that VLAN must also have STP enabled. See [Chapter 5, “Configuring Spanning Tree Parameters.”](#)

Enabling/Disabling VLAN Authentication

Layer 2 authentication uses VLAN membership to grant access to network resources. Authenticated VLANs control membership through a log-in process; this is sometimes called *user authentication*. A VLAN must have authentication enabled before it can participate in the Layer 2 authentication process.

To enable/disable authentication on an existing VLAN, use the **vlan authentication** command. For example, the following commands enable authentication on VLAN 955 and disable it on VLAN 455:

```
-> vlan 955 authentication enable
-> vlan 455 authentication disable
```

Once authentication is enabled on a VLAN, then only authenticated mobile port devices can join the VLAN after completing the appropriate log-in process. To enable authentication on a mobile port, use the **vlan port authenticate** command. For more information about mobile port commands and Layer 2 authentication for Alcatel switches, see [Chapter 6, “Assigning Ports to VLANs,”](#) and [Chapter 18, “Configuring Authenticated VLANs.”](#)

Configuring VLAN Router Ports

Network device traffic is bridged (switched) at the Layer 2 level between ports that are assigned to the same VLAN. However, if a device needs to communicate with another device that belongs to a different VLAN, then Layer 3 routing is necessary to transmit traffic between the VLANs. Bridging makes the decision on where to forward packets based on the packet's destination MAC address; routing makes the decision on where to forward packets based on the packet's IP network address (e.g., IP - 21.0.0.10). For more information about routing, see [Chapter 12, “Configuring IP.”](#)

A VLAN is available for routing traffic when a virtual router port is defined for that VLAN and at least one active port has joined the VLAN. If a VLAN does not have a router defined, its ports are in essence firewalled from other VLANs. Each VLAN supports one IP virtual router port and a maximum of 1024 IP router port VLANs are allowed per stack.

Defining an IP Router VLAN

Use the **vlan router ip** command to define an IP virtual router port for an existing VLAN. Specify the following when using this command:

- 1** The VLAN ID of the router port VLAN (can only specify an existing VLAN).
- 2** An IP address to assign to the router port (e.g., 193.204.173.21).
- 3** A subnet mask (defaults to the IP address class).
- 4** The router port forwarding status (defaults to forwarding). A forwarding router port sends IP frames to other subnets. A router port that is not forwarding can receive frames from other hosts on the same subnet.
- 5** An Ethernet-II or SNAP router port encapsulation (defaults to Ethernet-II). The encapsulation determines the framing type the router port uses when generating frames that are forwarded out VLAN ports. Select an encapsulation that matches the encapsulation of the majority of VLAN traffic.

The following **vlan router ip** command example assigns IP network address 21.0.0.1 to a VLAN 455 router port with a Class A subnet mask, forwarding status, and Ethernet-II encapsulation:

```
-> vlan 455 router ip 21.0.0.1 mask 255.0.0.0 forward e2
```

Specifying a subnet class, forwarding status, and encapsulation is optional, so it is not necessary to enter these parameters as part of the command to accept their default values. For example, either one of the following commands will create an IP router port for VLAN 955 with a class A subnet mask, forwarding status and Ethernet-II encapsulation:

```
-> vlan 955 router ip 71.0.0.1 mask 255.0.0.0 forward e2
-> vlan 955 router ip 71.0.0.1
```

To remove an IP router port from a VLAN, use the **no** form of the **vlan router ip** command.

```
-> vlan 955 no router ip
```

To view a list of VLAN IP router ports configured on the switch, use the **show vlan router ip** command. For more information about this command, see the *OmniSwitch CLI Reference Guide*.

Modifying an IP Router Port

The **vlan router ip** command is also used to modify one or more existing IP router port parameter values. For example, the following command changes the existing router port IP address for VLAN 455 to 40.0.0.2:

```
-> vlan 455 router ip 40.0.0.2
```

It is not necessary to first remove the IP router port from the VLAN. The changes specified will overwrite existing parameter values. For example, the following command changes the subnet mask from 255.0.0.0 (the default mask for 40.0.0.2) to a Class C mask of 255.255.255.0, the forwarding status to no forwarding and the encapsulation to SNAP by overwriting existing router port parameter values defined for VLAN 455. The IP address is not changed in this example, but is required as part of the command syntax to identify a router port change:

```
-> vlan 455 router ip 40.0.0.2 255.255.255.0 no forward snap
```

Note that when changing router port parameters, the subnet mask will revert back to the default mask value if it was previously set to a non-default value and it is not specified when changing other router port parameters. In the above example, the mask was set to a Class C value of 255.255.255.0, which is not the default mask value for the Class A IP address of 40.0.0.1. If a change is made to any of the other parameters and the Class C mask is not specified again in the command syntax, the mask will revert back to the default Class A value of 255.0.0.0. For example, the following command changes the router port forwarding status and will cause the mask to revert back to its default value:

```
-> vlan 455 router ip 40.0.0.1 forward
```

To avoid the problem in the above example, simply enter the non-default mask value as shown below:

```
-> vlan 455 router ip 40.0.0.1 255.255.255.0 forward
```

Use the **show vlan** or **show vlan router ip** commands to verify VLAN IP router port changes. For more information about these commands, see the *OmniSwitch CLI Reference Guide*.

What is Single MAC Router Mode?

The OmniSwitch 6800 operates only in single MAC router mode. In this mode, each router port VLAN is assigned the same MAC address, which is the base chassis MAC address for the switch. As a result, up to 1024 IP router port VLANs are supported per single switch or per stack of switches. This also eliminates the need to allocate additional MAC addresses if more than 32 router port VLANs are defined.

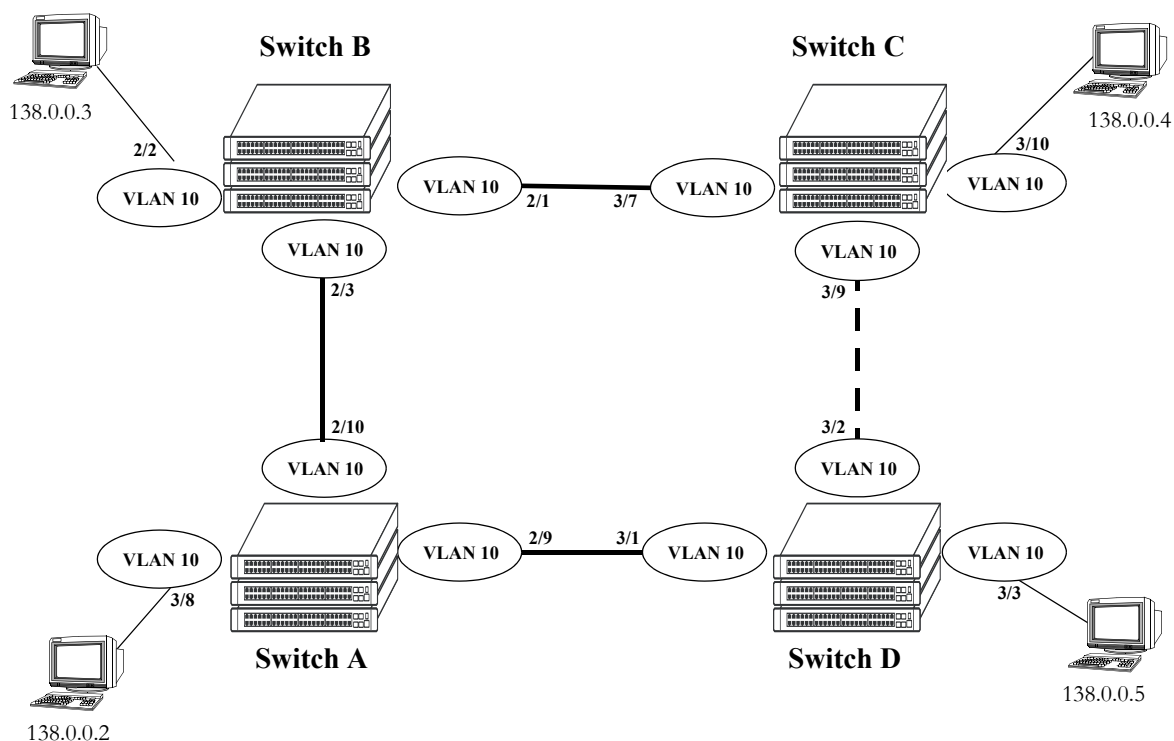
To determine the total number of VLANs configured on the switch, and the number of VLANs with IP router ports defined, use the **show vlan router mac status** command. For more information about this command, see the *OmniSwitch CLI Reference Guide*.

Bridging VLANs Across Multiple Switches

To create a VLAN *bridging domain* that extends across multiple switches:

- 1 Create a VLAN on each switch with the same VLAN ID number (e.g., VLAN 10).
- 2 If using mobile ports for end user device connections, define VLAN rules that will classify mobile port traffic into the VLAN created in Step 1.
- 3 On each switch, assign the ports that will provide connections to other switches to the VLAN created in Step 1.
- 4 On each switch, assign the ports that will provide connections to end user devices (e.g., workstations) to the VLAN created in Step 1. (If using mobile ports, this step will occur automatically when the device connected to the mobile port starts to send traffic.)
- 5 Connect switches and end user devices to the assigned ports.

The following diagram shows the physical configuration of an example VLAN bridging domain:

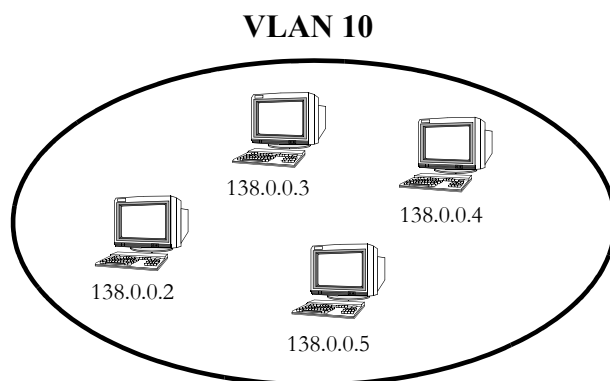


VLAN Bridging Domain: Physical Configuration

In the above diagram, VLAN 10 exists on all four switches and the connection ports between these switches are assigned to VLAN 10. The workstations can communicate with each other because the ports to which they are connected are also assigned to VLAN 10. It is important to note that connection cables do not have to connect to the same port on each switch. The key is that the port must belong to the same VLAN on each switch. To carry multiple VLANs between switches across a single physical connection cable, use the 802.1Q tagging feature (see [Chapter 9, “Configuring 802.1Q”](#)).

The connection between Stack C and D is shown with a broken line because the ports that provide this connection are in a blocking state. Spanning Tree is active by default on all stacks, VLANs and ports. The Spanning Tree algorithm determined that if all connections between stacks were active, a network loop would exist that could cause unnecessary broadcast traffic on the network. The path between Stack C and D was shut down to avoid such a loop. See [Chapter 5, “Configuring Spanning Tree Parameters,”](#) for information about how Spanning Tree configures network topologies that are loop free.

The following diagram shows the same bridging domain example as seen by the end user workstations. Because traffic between these workstations is *bridged* across physical stack connections within the VLAN 10 domain, the workstations are basically unaware that the stacks even exist. Each workstation believes that the others are all part of the same VLAN, even though they are physically connected to different stacks.



VLAN Bridging Domain: Logical View

Creating a VLAN bridging domain across multiple switches and/or stacks of switches allows VLAN members to communicate with each other, even if they are not connected to the same physical switch. This is how a logical grouping of users can traverse a physical network setup without routing and is one of the many benefits of using VLANs.

Verifying the VLAN Configuration

To display information about the VLAN configuration for a single switch or a stack of switches, use the show commands listed below:

- | | |
|------------------------------------|---|
| show vlan | Displays a list of all VLANs configured on the switch and the status of related VLAN properties (e.g., admin and Spanning Tree status and router port definitions). |
| show vlan port | Displays a list of VLAN port assignments. |
| show vlan router ip | Displays VLAN IP router port information. |
| show vlan router mac status | Displays the current MAC router operating mode (single or multiple) and VLAN router port statistics. |

For more information about the resulting displays from these commands, see the *OmniSwitch CLI Reference Guide*. An example of the output for the **show vlan** and **show vlan port** commands is also given in [“Sample VLAN Configuration”](#) on page 4-3.

5 Configuring Spanning Tree Parameters

The Spanning Tree Algorithm and Protocol (STP) is a self-configuring algorithm that maintains a loop-free topology while providing data path redundancy and network scalability. Based on the IEEE 802.1D standard, the Alcatel STP implementation distributes the Spanning Tree load between the primary management switch in the stack and the other switches in the stack. This ensures a Spanning Tree that continues to respond to STP Bridge Protocol Data Units (BPDU) received on switch ports and port link up and down states in the event of a management fail over to a backup management switch. In addition, the Alcatel distributed implementation incorporates the following Spanning Tree features:

- Configures a physical topology into a single Spanning Tree to ensure that there is only one data path between any two switches.
- Supports fault tolerance within the network topology. The Spanning Tree is reconfigured in the event of a data path or bridge failure or when a new switch is added to the topology.
- Supports two Spanning Tree operating modes; *flat* (single STP instance per switch) and *1x1* (single STP instance per VLAN).
- Supports two Spanning Tree Algorithms; 802.1D (standard) and 802.1w (rapid reconfiguration).
- Allows 802.1Q tagged ports and link aggregate logical ports to participate in the calculation of the STP topology.

The Distributed Spanning Tree software is active on all switches by default. As a result, a loop-free network topology is automatically calculated based on default Spanning Tree switch, VLAN, and port parameter values. It is only necessary to configure Spanning Tree parameters to change how the topology is calculated and maintained.

In This Chapter

This chapter describes how Spanning Tree works and how to configure Spanning Tree parameters through the Command Line Interface (CLI). CLI commands are used in the configuration examples; for more details about the syntax of commands, see the *OmniSwitch CLI Reference Guide*.

Configuration procedures described in this chapter include:

- Selecting the switch Spanning Tree operating mode (flat or 1x1) on [page 5-8](#).
- Configuring Spanning Tree bridge (VLAN) parameters on [page 5-10](#).
- Configuring Spanning Tree port parameters on [page 5-15](#).
- Configuring an example Spanning Tree topology on [page 5-21](#)

Spanning Tree Specifications

IEEE Standards supported	802.1D— <i>Media Access Control (MAC) Bridges</i> 802.1w— <i>Rapid Reconfiguration (802.1D Amendment 2)</i> 802.1Q— <i>Virtual Bridged Local Area Networks</i>
Spanning Tree Operating Modes supported	Flat mode - one spanning tree instance per switch 1x1 mode - one spanning tree instance per VLAN
Spanning Tree Protocols supported	802.1D Standard Spanning Tree Algorithm and Protocol (STP) 802.1w Rapid Spanning Tree Algorithm and Protocol (RSTP)
Spanning Tree port eligibility	Fixed ports (non-mobile) 802.1Q tagged ports Link aggregate of ports
Maximum number of Spanning Tree instances per switch or stack	254
CLI Command Prefix Recognition	All Spanning Tree commands support prefix recognition. See the “Using the CLI” chapter in the <i>OmniSwitch 6800 Switch Management Guide</i> for more information.

Spanning Tree Defaults

Parameter Description	Command	Default
Spanning Tree operating mode	bridge mode	1x1 (a separate Spanning Tree instance for each VLAN)
BPDU switching status.	bridge bpdu-switching	Disabled
Spanning Tree Protocol	bridge protocol	802.1D (standard)
Spanning Tree priority level for the bridge (VLAN)	bridge priority	32768
Hello time interval between each BPDU transmission.	bridge hello time	2 seconds
Maximum aging time allowed for Spanning Tree information learned from the network.	bridge max age	20 seconds
Spanning Tree port state transition time.	bridge forward delay	15 seconds
Spanning Tree port administrative state	bridge slot/port	Enabled
Spanning Tree port priority level	bridge slot/port priority	7
Port cost contributed to path towards the Spanning Tree root.	bridge slot/port path cost	0 (cost is based on port speed)
Port state management mode	bridge slot/port mode	Dynamic (Spanning Tree Algorithm determines port state)
Type of port connection	bridge slot/port connection	auto point to point

Spanning Tree Overview

Alcatel switches support the use of the traditional STP defined in the IEEE 802.1D standard and the Rapid Spanning Tree Algorithm and Protocol (RSTP) defined in the IEEE 802.1w standard. RSTP expedites topology changes by allowing blocked ports to transition directly into a forwarding state, bypassing listening and learning states. This provides rapid reconfiguration of the Spanning Tree in the event of a network path or device failure.

The 802.1w standard is an amendment to the 802.1D document, thus RSTP is based on STP. Although 802.1D is supported, the 802.1w document recommends implementing RSTP whenever possible. Regardless of which protocol a switch or VLAN is running, it can successfully interoperate with other switches or VLANs. This section provides a Spanning Tree overview based on RSTP operation and terminology.

How the Spanning Tree Topology is Calculated

The *tree* consists of links and bridges that provide a single data path that spans the bridged network. At the base of the tree is a *root bridge*. One bridge is elected by all the bridges participating in the network to serve as the root of the tree. After the root bridge is identified, STP calculates the best path that leads from each bridge back to the root and blocks any connections that would cause a network loop.

To determine the best path to the root, STP uses the *path cost* value, which is associated with every port on each bridge in the network. This value is a configurable weighted measure that indicates the contribution of the port connection to the entire path leading from the bridge to the root. The IEEE 802.1D standard recommends using the following path cost values based on link speed:

Link Speed	Recommended Value	Recommended Range	Range
4 Mbps	250	100–1000	1–65535
10 Mbps	100	50–600	1–65535
16 Mbps	62	40–400	1–65535
100 Mbps	19	10–60	1–65535
1 Gbps	4	3–10	1–65535
10 Gbps	2	1–5	1–65535

In addition, a *root path cost* value is associated with every bridge. This value is the sum of the path costs for the port that receives frames on the best path to the root (this value is zero for the root bridge). The bridge with the lowest root path cost becomes the *designated bridge* for the LAN, as it provides the shortest path to the root for all bridges connected to the LAN.

During the process of calculating the Spanning Tree topology, each port on every bridge is assigned a *port role* based on how the port and/or its bridge will participate in the active Spanning Tree topology. The following table provides a list of port role types and the port and/or bridge properties that the Spanning Tree Algorithm examines to determine which role to assign to the port.

Role	Port/Bridge Properties
Root Port	Port connection that provides the shortest path (lowest path cost value) to the root. The root bridge does not have a root port.
Designated Port	The designated bridge provides the LAN with the shortest path to the root. The designated port connects the LAN to this bridge.
Backup Port	Any operational port on the designated bridge that is not a root or designated port. Provides a backup connection for the designated port. A backup port can only exist when there are redundant designated port connections to the LAN.
Alternate Port	Any operational port that is not the root port for its bridge and its bridge is not the designated bridge for the LAN. An alternate port offers an alternate path to the root bridge if the root port on its own bridge goes down.
Disabled Port	Port is not operational. If an active connection does come up on the port, it is assigned an appropriate role.

Note. The distinction between a backup port and an alternate port was introduced with the IEEE 802.1w standard to help define rapid transition of an alternate port to a root port.

The role a port plays or may potentially play in the active Spanning Tree topology determines the port's operating state; *discarding*, *learning* or *forwarding*. The *port state* is also configurable in that it is possible to enable or disable a port's administrative status and/or specify a forwarding or blocking state that is only changed through user intervention.

The Spanning Tree Algorithm only includes ports in its calculations that are operational (link is up) and have an enabled administrative status. The following table compares and defines 802.1D and 802.1w port states and their associated port roles:

STP Port State	RSTP Port State	Port State Definition	Port Role
Disabled	Discarding	Port is down or administratively disabled and is not included in the topology.	Disabled
Blocking	Discarding	Frames are dropped, nothing is learned or forwarded on the port. Port is temporarily excluded from topology.	Alternate, Backup
Listening	Discarding	Port is preparing to transmit data and is included in the active topology.	Root, Designated
Learning	Learning	Port is learning MAC addresses that are seen on the port and adding them to the bridge forwarding table, but not transmitting any data. Port is included in the active topology.	Root, Designated
Forwarding	Forwarding	Port is transmitting and receiving data and is included in the active topology.	Root, Designated

Once the Spanning Tree is calculated, there is only one root bridge, one designated bridge for each LAN, and one root port on each bridge (except for the root bridge). Data travels back and forth between bridges over forwarding port connections that form the best, non-redundant path to the root. The active topology ensures that network loops do not exist.

Bridge Protocol Data Units (BPDU)

Switches send layer 2 frames, referred to as Configuration Bridge Protocol Data Units (BPDU), to relay information to other switches. The information in these BPDU is used to calculate and reconfigure the Spanning Tree topology. A Configuration BPDU contains the following information that pertains to the bridge transmitting the BPDU:

Root ID	The Bridge ID for the bridge that this bridge believes is the root.
Root Path Cost	The sum of the Path Costs that lead from the root bridge to this bridge port. The Path Cost is a configurable parameter value. The IEEE 802.1D standard specifies a default value that is based on port speed. See “Configuring Port Path Cost” on page 5-17 for more information.
Bridge ID	An eight-byte hex value that identifies this bridge within the Spanning Tree. The first two bytes contain a configurable priority value and the remaining six bytes contain a bridge MAC address. See “Configuring VLAN Bridge Priority” on page 5-12 for more information. Each switch chassis is assigned a dedicated base MAC address. This is the MAC address that is combined with the priority value to provide a unique Bridge ID for the switch. For more information about the base MAC address, the <i>OmniSwitch 6800 Hardware Users Guide</i> .
Port ID	A 16-bit hex value that identifies the bridge port that transmitted this BPDU. The first 4 bits contain a configurable priority value and the remaining 12 bits contain the physical switch port number. See “Configuring Port Priority” on page 5-16 for more information.

The sending and receiving of Configuration BPDU between switches participating in the bridged network is how the root bridge is elected and the best path to the root is determined and then advertised to the rest of the network. BPDU provide enough information for the STP software running on each switch to determine the following:

- Which bridge will serve as the root bridge.
- The shortest path between each bridge and the root bridge.
- Which bridge will serve as the designated bridge for the LAN.
- Which port on each bridge will serve as the root port.
- The port state (forwarding or discarding) for each bridge port based on the role the port will play in the active Spanning Tree topology.

The following events trigger the transmitting and/or processing of BPDU in order to discover and maintain the Spanning Tree topology.

- When a bridge first comes up, it assumes it is the root and starts transmitting Configuration BPDU on all its active ports advertising its own bridge ID as the root bridge ID.
- When a bridge receives BPDU on its root port that contains more attractive information (higher priority parameters and/or lower path costs), it forwards this information on to other LANs to which it is connected for consideration.
- When a bridge receives BPDU on its designated port that contains information that is less attractive (lower priority values and/or higher path costs), it forwards its own information to other LANs to which it is connected for consideration.

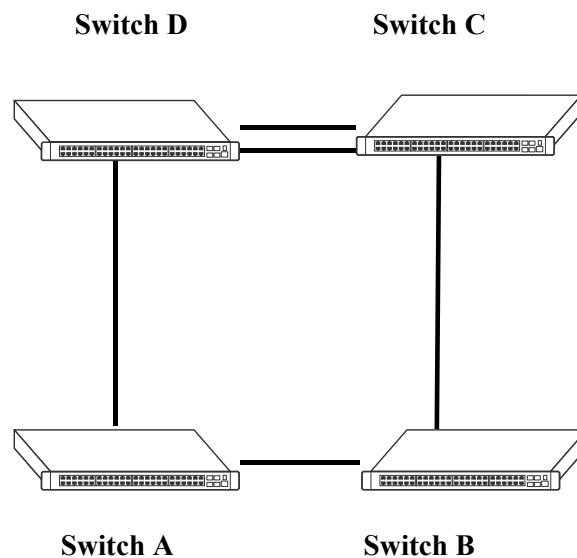
STP evaluates BPDU parameter values to select the best BPDU based on the following order of precedence:

- 1 The lowest root bridge ID (lowest priority value, then lowest MAC address).
- 2 The best root path cost.
- 3 If root path costs are equal, the bridge ID of the bridge sending the BPDU.
- 4 If the previous three values tie, then the port ID (lowest priority value, then lowest port number).

When a topology change occurs, such as when a link goes down or a switch is added to the network, the affected bridge sends Topology Change Notification (TCN) BPDU to the designated bridge for its LAN. The designated bridge will then forward the TCN to the root bridge. The root then sends out a Configuration BPDU and sets a Topology Change (TC) flag within the BPDU to notify other bridges that there is a change in the configuration information. Once this change is propagated throughout the Spanning Tree network, the root stops sending BPDU with the TC flag set and the Spanning Tree returns to an active, stable topology.

Topology Examples

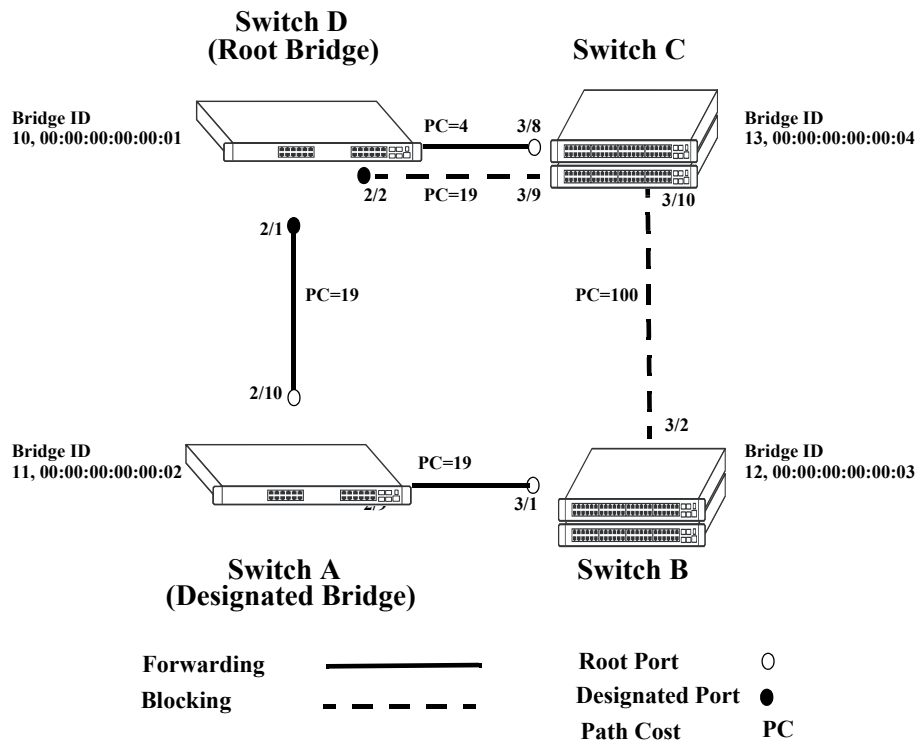
The following diagram shows an example of a physical network topology that incorporates data path redundancy to ensure fault tolerance. These redundant paths, however, create loops in the network configuration. If a device connected to Switch A sends broadcast packets, Switch A will flood the packets out all of its active ports. The switches connected to Switch A will in turn flood the broadcast packets out their active ports, and Switch A will eventually receive the same packets back and the cycle will start over again. This causes severe congestion on the network, often referred to as a *broadcast storm*.



Physical Topology Example

The Spanning Tree Algorithm prevents network loops by ensuring that there is always only one active link between any two switches. This is done by transitioning one of the redundant links into a blocking state, leaving only one link actively forwarding traffic. If the active link goes down, then Spanning Tree will transition one of the blocked links to the forwarding state to take over for the downed link. If a new switch is added to the network, the Spanning Tree topology is automatically recalculated to include the monitoring of links to the new switch.

The following diagram shows the logical connectivity of the same physical topology as determined by the Spanning Tree Algorithm.



Active Spanning Tree Topology Example

In the above active Spanning Tree topology example, the following configuration decisions were made as a result of calculations performed by the Spanning Tree Algorithm:

- Switch D is the root bridge because its bridge ID has a priority value of 10 (the lower the priority value, the higher the priority the bridge has in the Spanning Tree). If all four switches had the same priority, then the switch with the lowest MAC address in its bridge ID would become the root.
- Switch A is the designated bridge for Switch B, because it provides the best path for Switch B to the root bridge.
- Port 2/9 on Switch A is a designated port, because it connects the LAN from Switch B to Switch A.
- All ports on Switch D are designated ports, because Switch D is the root and each port connects to a LAN.
- Ports 2/10, 3/1, and 3/8 are the root ports for Switches A, B, and C, respectively, because they offer the shortest path towards the root bridge.
- The port 3/9 connection on Switch C to port 2/2 on Switch D is in a discarding (blocking) state, as the connection these ports provides is redundant (backup) and has a higher path cost value than the 2/3 to 3/8 connection between the same two switches. As a result, a network loop is avoided.
- The port 3/2 connection on Switch B to port 3/10 on Switch C is also in a discarding (blocking) state, as the connection these ports provides has a higher path cost to root Switch D than the path between Switch B and Switch A. As a result, a network loop is avoided.

Spanning Tree Operating Modes

The switch can operate in one of two Spanning Tree modes: *flat* and *1x1*. Both modes apply to the entire switch and determine whether a single STP instance is applied across all VLANs, or a single STP instance is applied to each VLAN. By default, a switch is running in the 1x1 mode when it is first turned on.

Use the **bridge mode** command to select the flat or 1x1 Spanning Tree mode. The switch operates in one mode or the other, however, it is not necessary to reboot the switch when changing modes. To determine which mode the switch is operating in, use the **show spantree** command. For more information about this command, see the *OmniSwitch CLI Reference Guide*.

Using Flat Spanning Tree Mode

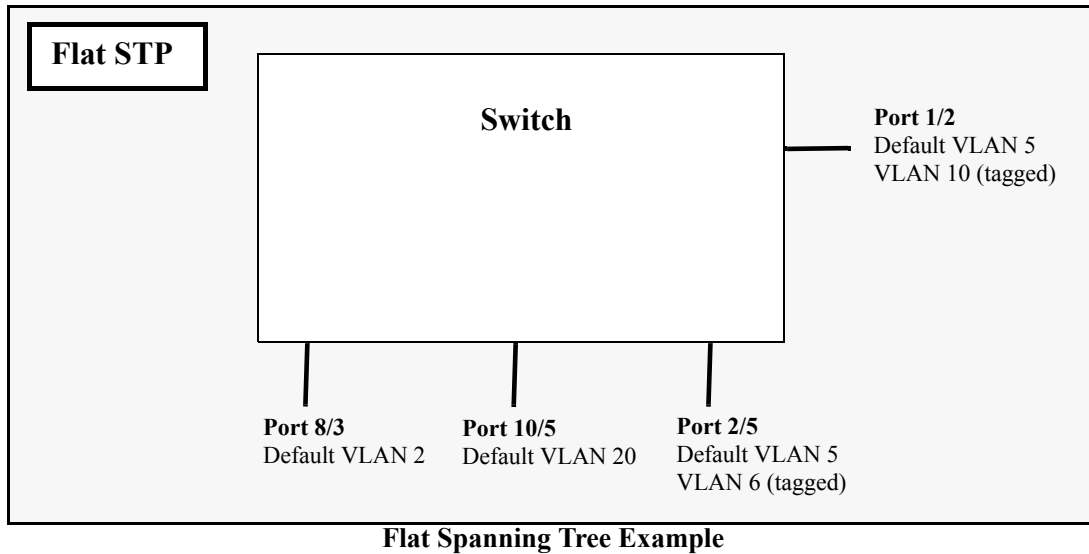
Before selecting the flat Spanning Tree mode, note the following:

- There is one STP instance (instance 0) for the entire switch; port states are determined across VLANs.
- Multiple connections between switches are considered redundant paths even if they are configured in different VLANs.
- STP parameters are configured for instance 0. For example, if STP is disabled on instance 0, then it is disabled across all VLANs. Using a number other than zero is not allowed and will return an error message.
- Fixed (untagged) and 802.1Q tagged ports are supported in each VLAN. BPDU, however, are always untagged.
- When the Spanning Tree mode is changed from 1x1 to flat, ports still retain their VLAN associations but are now part of a single Spanning Tree instance that spans across all VLANs. As a result, a path that was forwarding traffic in the 1x1 mode may transition to a blocking state after the mode is changed to flat.

To change the Spanning Tree operating mode to flat, enter the following command.

```
-> bridge mode flat
```

The following diagram shows a switch running in the flat STP mode. All ports, regardless of their default VLAN configuration or tagged VLAN assignments, are considered part of one Spanning Tree instance.



In the above example, if port 8/3 connects to another switch and port 10/5 connects to that same switch, the Spanning Tree Algorithm would detect a redundant path and transition one of the ports into a blocking state. The same holds true for the tagged ports.

Using 1x1 Spanning Tree Mode

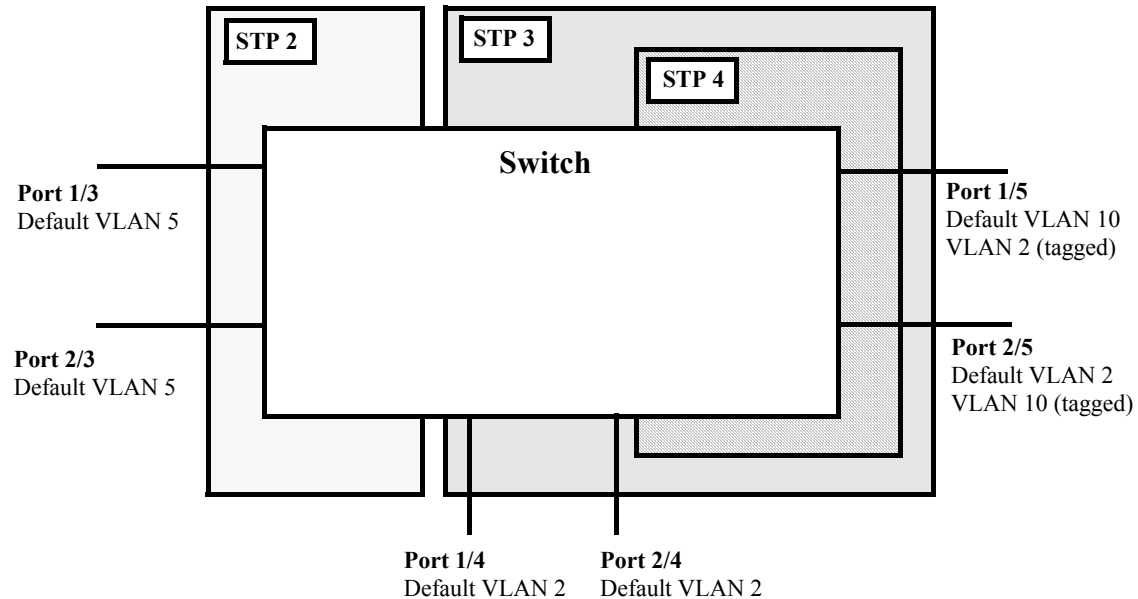
Before selecting the 1x1 Spanning Tree operating mode, consider the following:

- A single Spanning Tree instance is enabled for each VLAN configured on the switch. For example, if there are five VLANs configured on the switch, then there are five separate Spanning Tree instances, each with its own root VLAN. In essence, a VLAN is a virtual bridge in that it will have its own bridge ID and configurable STP parameters, such as protocol, priority, hello time, max age, and forward delay.
- Port state is determined on a per VLAN basis. For example, port connections in VLAN 10 are only examined for redundancy within VLAN 10 across all switches. If a port in VLAN 10 and a port in VLAN 20 both connect to the same switch within their respective VLANs, they are not considered redundant data paths and STP will not block one of them. However, if two ports within VLAN 10 both connect to the same switch, then STP will transition one of these ports to a blocking state.
- Fixed (untagged) ports participate in the single Spanning Tree instance that applies to their configured default VLAN.
- 802.1Q tagged ports participate in an 802.1Q Spanning Tree instance that allows the Spanning Tree to extend across tagged VLANs. As a result, a tagged port may participate in more than one Spanning Tree instance; one for each VLAN that the port carries.
- If a VLAN contains both fixed and tagged ports, then a hybrid of the two Spanning Tree instances (single and 802.1Q) is applied. If a VLAN appears as a tag on a port, then the BPDU for that VLAN are also tagged. However, if a VLAN appears as the configured default VLAN for the port, then BPDU are not tagged and the single Spanning Tree instance applies.

To change the Spanning Tree operating mode to 1x1, enter the following command:

```
-> bridge mode 1x1
```

The following diagram shows a switch running in the 1x1 Spanning Tree mode and shows Spanning Tree participation for both fixed and tagged ports.



1x1 (single and 802.1Q) Spanning Tree Example

In the above example, STP2 is a single Spanning Tree instance since VLAN 5 contains only fixed ports. STP 3 and STP 4 are a combination of single and 802.1Q Spanning Tree instances because VLAN 2 contains both fixed and tagged ports. On ports where VLAN 2 is the default VLAN, BPDU are not tagged. On ports where VLAN 2 is a tagged VLAN, BPDU are also tagged.

Configuring STP VLAN Parameters

The following sections provide information and procedures for using CLI commands to configure VLAN STP parameters. These parameters determine the behavior of a Spanning Tree instance for an individual VLAN (1x1 STP mode) or for an entire switch (flat STP mode).

When a switch is running in the 1x1 STP mode, each VLAN is in essence a virtual STP bridge with its own STP instance and configurable parameters. To change STP parameters while running in this mode, a VLAN ID (VID) is specified to identify which existing VLAN will apply the changes to its Spanning Tree instance. To change STP parameters while running in the flat STP mode, specify instance 0 instead of a VID. Using a number other than zero is not allowed and will return an error message.

VLAN STP parameters are not active unless Spanning Tree is enabled on the VLAN and at least one active port is assigned to the VLAN. Use the `vlan stp` command to enable or disable a VLAN Spanning Tree instance. If a switch is running in the flat STP mode, disabling Spanning Tree on instance 0 disables the instance for all VLANs. For more information about configuring VLANs, see [Chapter 4, “Configuring VLANs.”](#)

ASCII-File-Only Syntax

When Spanning Tree parameters are configured and then saved in an ASCII file (typically through the **configuration snapshot** command), the commands included in the file will contain syntax indicating the common Spanning Tree instance and/or operating mode to which the command applies. For example:

```
!=====!  
! File: asc.4.snap                               !  
!=====!  
! Spanning tree :  
bridge mode 1x1  
bridge msti 0  
bridge 1x1 3 max age 15  
bridge 1x1 4 hello time 5  
bridge 1x1 5 priority 16384
```

In the above example ASCII file, the **1x1** keywords were added to the syntax of three of the commands: **bridge max age**, **bridge hello time**, and **bridge priority**. The parameter values specified by these commands will apply when the switch is operating in the 1x1 Spanning Tree mode. If these same commands were intended for the flat Spanning Tree mode, the **cist** keyword would appear in the syntax.

The **cist** and **msti** keywords designate the Spanning Tree instance 0, which is the flat Spanning Tree mode instance. At this time, instance 0 is the only instance in the flat mode that is supported.

Note that using these keywords on the command line is not supported in this release. However, **1x1** is a supported parameter value in the **bridge mode 1x1** command.

Selecting the VLAN Bridge Protocol (802.1D or 802.1w)

The switch supports two Spanning Tree Algorithms: 802.1D (standard) and 802.1w (rapid reconfiguration). If the switch is running in the 1x1 Spanning Tree mode, then a protocol is selected for each VLAN. When a VLAN is created, STP is enabled and 802.1D is selected by default. If the switch is running in the flat Spanning Tree mode, then the protocol is selected for instance 0, but applies across all VLANs configured on the switch.

The 802.1w standard is an amendment to the 802.1D document and describes the rapid Spanning Tree Algorithm and Protocol (RSTP). The RSTP provides rapid reconfiguration by allowing blocked ports to transition directly into a forwarding state, bypassing the listening and learning states.

Although it supports the 802.1D standard, the 802.1w standard recommends implementing RSTP whenever possible. Regardless of which standard a switch or VLAN is running, it can successfully interoperate with other switches or VLANs.

To change the Spanning Tree Protocol for a VLAN, enter **bridge** followed by an existing VLAN ID (or 0 if using the flat STP instance), then **protocol** followed by **1d** or **1w**. For example, the following commands change the protocol to 802.1w for VLAN 455 and for the flat STP instance:

```
-> bridge 455 protocol 1w  
-> bridge 0 protocol 1w
```

To determine the current protocol selection for the switch or an individual VLAN, use the **show spantree** command. For more information about this command, see the *OmniSwitch CLI Reference Guide*.

Enabling/Disabling the VLAN BPDU Switching Status

By default, BPDU are not switched on ports associated with Spanning Tree disabled VLANs. This may result in a network loop if the VLAN has redundant paths to one or more other switches. Allowing Spanning Tree disabled VLANs to forward BPDU to all ports in the VLAN, can help to avoid this problem.

To enable or disable BPDU switching on a VLAN, enter **bridge** followed by an existing VLAN ID (or **0** if using the flat STP instance) then **bpdu-switching** followed by **enable** or **disable**. For example, the following commands enable BPDU switching on VLAN 10, disable it on VLAN 20, and enable it on the flat STP instance:

```
-> bridge 10 bpdu-switching enable
-> bridge 20 bpdu-switching disable
-> bridge 0 bpdu-switching enable
```

Note. Make sure that disabling BPDU switching on a Spanning Tree disabled VLAN will not cause network loops to go undetected.

Configuring VLAN Bridge Priority

A bridge is identified within the Spanning Tree by its bridge ID (an eight byte hex number). The first two bytes of the bridge ID contain a priority value and the remaining six bytes contain a bridge MAC address. The bridge priority is used to determine which bridge will serve as the root of the Spanning Tree. The lower the priority value, the higher the priority. If more than one bridge have the same priority, then the bridge with the lowest MAC address becomes the root.

Note. Configuring a VLAN with a priority value that will cause the VLAN to become the root is recommended, instead of relying on the STP comparison of switch base MAC addresses to determine the root.

If the switch is running in the 1x1 Spanning Tree mode, then a priority value is assigned to each VLAN. When a VLAN is created, STP is enabled and the VLAN bridge priority defaults to 32768. If the switch is running in the flat Spanning Tree mode, the priority is assigned to instance 0.

To change the VLAN bridge priority, enter **bridge** followed by an existing VLAN ID (or **0** if using the flat STP instance) then **priority** followed by a numerical value between 0 and 65535 that is a multiple of 4096. For example, the following commands change the priority for VLAN 455 to 16384 and priority for the flat STP instance to 12288:

```
-> bridge 455 priority 16384
-> bridge 0 priority 12288
```

To view the VLAN bridge priority value, use the **show spantree** command. For more information about this command, see the *OmniSwitch CLI Reference Guide*.

Configuring VLAN Bridge Hello Time

The VLAN bridge hello time interval is the number of seconds a bridge will wait between transmissions of Configuration BPDU. When a bridge is attempting to become the root or if it has become the root or a designated bridge, it sends Configuration BPDU out all forwarding ports once every hello time value.

The hello time propagated in a root bridge Configuration BPDU is the value used by all other bridges in the tree for their own hello time. Therefore, if this value is changed for the root bridge (VLAN), all other VLANs associated with the same STP instance will adopt this value as well.

If the switch is running in the 1x1 Spanning Tree mode, then a hello time value is defined for each VLAN. When a VLAN is created, STP is enabled and the hello time defaults to 2 seconds. If the switch is running in the flat Spanning Tree mode, then a hello time value is defined for instance 0. Lowering the hello time interval improves the robustness of the Spanning Tree topology. However, increasing the hello time interval reduces Spanning Tree overhead.

To change the VLAN bridge hello time, enter **bridge** followed by an existing VLAN ID (or **0** if using the flat STP instance) then **hello time** followed by a numerical value between 1 and 10 to specify the number of seconds. For example, the following commands change the hello time value for VLAN 455 to 5 seconds and the hello time value for the flat STP instance to 8:

```
-> bridge 455 hello time 5
-> bridge 0 hello time 8
```

To view the VLAN bridge hello time value, use the **show spantree** command. For more information about this command, see the *OmniSwitch CLI Reference Guide*.

Configuring VLAN Bridge Max Age Time

The VLAN bridge max age time specifies how long, in seconds, the bridge retains Spanning Tree information it receives from Configuration BPDU. When a bridge receives a BPDU, it updates its configuration information and the max age timer is reset. If the max age timer expires before the next BPDU is received, the bridge will attempt to become the root, designated bridge, or change its root port.

The max age time propagated in a root bridge Configuration BPDU is the value used by all other bridges in the tree for their own max age time. Therefore, if this value is changed for the root bridge (VLAN), all other VLANs associated with the same STP instance will adopt this value as well.

If the switch is running in the 1x1 Spanning Tree mode, then a max age time value is defined for each VLAN. When a VLAN is created, STP is enabled and the max age time defaults to 20 seconds. If the switch is running in the flat Spanning Tree mode, then the max age value is defined for instance 0. Specifying a low max age time may cause STP to reconfigure the topology more often.

To change the VLAN bridge max age time, enter **bridge** followed by an existing VLAN ID (or **0** if using the flat STP instance) then **max age** followed by a numerical value between 6 and 40 to specify the number of seconds. For example, the following commands change the max age time value for VLAN 455 to 40 seconds and the max age time value for the flat STP instance to 10:

```
-> bridge 455 max age 40
-> bridge 0 max age 10
```

To view the VLAN max age time value, use the **show spantree** command. For more information about this command, see the *OmniSwitch CLI Reference Guide*.

Configuring VLAN Bridge Forward Delay Time

The VLAN bridge forward delay time specifies how long, in seconds, a port remains in the listening and learning states while it is transitioning to a forwarding state. In addition, when a topology change occurs, the forward delay time value is used to age out all dynamically learned addresses in the MAC address forwarding table. For more information about the MAC address table, see [Chapter 2, “Managing Source Learning.”](#)

The forward delay time propagated in a root bridge Configuration BPDU is the value used by all other bridges in the tree for their own forward delay time. Therefore, if this value is changed for the root bridge (VLAN), all other VLANs associated with the same STP instance will adopt this value as well.

If the switch is running in the 1x1 Spanning Tree mode, then a forward delay time value is defined for each VLAN. When a VLAN is created, STP is enabled and the forward delay time defaults to 15 seconds. If the switch is running in the flat Spanning Tree mode, then the forward delay time value is defined for instance 0. Specifying a low forward delay time may cause temporary network loops, because packets may get forwarded before STP configuration or change notices have reached all nodes in the network.

To change the VLAN bridge forward delay time, enter **bridge** followed by an existing VLAN ID (or **0** if using the flat STP instance) then **forward delay** followed by a numerical value between 4 and 30 to specify the number of seconds. For example, the following commands change the forward delay time value for VLAN 455 to 10 seconds and the forward delay time value for the flat STP instance to 15:

```
-> bridge 455 forward delay 10
-> bridge 0 forward delay 15
```

To view the VLAN forward delay time value, use the **show spantree** command. For more information about this command, see the *OmniSwitch CLI Reference Guide*.

Configuring STP Port Parameters

The following sections provide information and procedures for using CLI commands to configure STP port parameters. These parameters determine the behavior of a port for a specific VLAN Spanning Tree instance (1x1 STP mode) or for a single Spanning Tree instance applied to the entire switch (flat STP mode).

When a switch is running in the 1x1 STP mode, each VLAN is in essence a virtual STP bridge with its own STP instance and configurable parameters. To change STP port parameters while running in this mode, a VLAN ID is specified to identify the VLAN STP instance associated with the specified port. When a switch is running in the flat Spanning Tree mode, instance 0 is specified instead of a VLAN ID. The flat mode instance is identified as STP instance 0. Using a number other than zero is not allowed and will return an error message.

Only bridged ports participate in the Spanning Tree Algorithm. A port is considered bridged if it meets all the following criteria:

- Port is either a fixed (non-mobile) port, an 802.1Q tagged port or a link aggregate logical port.
- Spanning tree is enabled on the port.
- Port is assigned to a VLAN that has Spanning Tree enabled.
- Port state (forwarding or blocking) is dynamically determined by the Spanning Tree Algorithm, not manually set.

Enabling/Disabling STP on a Port

By default, STP is enabled on all ports. If STP is disabled on a port, the port is put in a forwarding state for the Spanning Tree instance. For example, if a port is associated with both VLAN 10 and VLAN 20 and STP is disabled on the port for VLAN 20, the port state is set to forwarding for VLAN 20. However, the VLAN 10 STP instance still controls the port's state as it relates to VLAN 10. This example assumes the switch is running in the 1x1 Spanning Tree mode.

If the switch is running in the flat Spanning Tree mode, then disabling the port STP status applies across all VLANs associated with the port. However, the port state is controlled by the flat mode instance 0, even though the physical port is associated with other VLANs.

To enable or disable the STP status on a port, enter **bridge** followed by an existing VLAN ID (or 0 if using the flat STP instance) then the port's *slot/port* designation followed by **enable** or **disable**. For example, the following commands enable STP on port 1/8 for VLAN 10, disable STP on port 2/6 for VLAN 20, and disable STP on port 3/2 for the flat STP instance:

```
-> bridge 10 8/1 enable
-> bridge 20 6/2 disable
-> bridge 0 3/2 disable
```

STP on Link Aggregate Ports

Physical ports that belong to a link aggregate do not participate in the Spanning Tree Algorithm. Instead, the algorithm is applied to the aggregate logical link (virtual port) that represents a collection of physical ports. To enable or disable the STP status for a link aggregate, use the same **bridge** command, but specify a link aggregate control number instead of a slot and port. For example, the following command disables STP for link aggregate 29 associated with VLAN 755:

```
-> bridge 755 29 disable
```

For more information about configuring an aggregate of ports, see [Chapter 10, “Configuring Static Link Aggregation,”](#) and [Chapter 11, “Configuring Dynamic Link Aggregation.”](#)

To view the port STP status, use the **show spantree ports** command. For more information about this command, see the *OmniSwitch CLI Reference Guide*.

Configuring Port Priority

A bridge port is identified within the Spanning Tree by its Port ID (a 16-bit hex number). The first 4 bits of the Port ID contain a priority value and the remaining 12 bits contain the physical switch port number. The port priority is used to determine which port offers the best path to the root when multiple paths have the same path cost. The port with the highest priority (lowest numerical priority value) is selected and the others are put into a blocking state. If the priority values are the same for all ports in the path, then the port with the lowest physical switch port number is selected.

By default, STP is enabled on a port and the port priority is set to 7. If the switch is running in the 1x1 Spanning Tree mode, then the port priority applies to the specified VLAN STP instance associated with the port. If the switch is running in the flat Spanning Tree mode, then the port priority applies across all VLANs associated with the port. However, the port priority is associated with the flat mode instance 0, even though the physical port is associated with other VLANs.

To change the port priority, enter **bridge** followed by an existing VLAN ID (or **0** if using the flat STP instance) then the port's *slot/port* designation followed by **priority** and a numerical value between 0 and 15 for the priority value. For example, the following commands set the priority for port 1/8 for VLAN 10 to 3 and the priority for port 2/1 for the flat STP instance to 10:

```
-> bridge 10 8/1 priority 3
-> bridge 0 1/8 priority 10
```

Port Priority on Link Aggregate Ports

Physical ports that belong to a link aggregate do not participate in the Spanning Tree Algorithm. Instead, the algorithm is applied to the aggregate logical link (virtual port) that represents a collection of physical ports. To change the STP port priority for a link aggregate, use the same **bridge** command, but specify a link aggregate control number instead of a slot and port. For example, the following command sets the priority for link aggregate 29 associated with VLAN 755 to 9:

```
-> bridge 755 29 priority 9
```

For more information about configuring an aggregate of ports, see [Chapter 10, “Configuring Static Link Aggregation,”](#) and [Chapter 11, “Configuring Dynamic Link Aggregation.”](#)

To view the STP priority for a port, use the **show spantree ports** command. For more information about this command, see the *OmniSwitch CLI Reference Guide*.

Configuring Port Path Cost

The path cost value specifies the contribution of a port to the path cost towards the root bridge that includes the port. The root path cost is the sum of all path costs along this same path and is the value advertised in Configuration BPDU transmitted from active Spanning Tree ports. The lower the cost value, the closer the switch is to the root.

If the path cost is set to zero, then a default value based on link speed is used. The IEEE 802.1D standard provides the following recommended values for path cost:

Link Speed	Recommended Value	Recommended Range	Range
4 Mbps	250	100–1000	1–65535
10 Mbps	100	50–600	1–65535
16 Mbps	62	40–400	1–65535
100 Mbps	19	10–60	1–65535
1 Gbps	4	3–10	1–65535
10 Gbps	2	1–5	1–65535

By default, STP is enabled on a port and the path cost is set to zero. If the switch is running in the 1x1 Spanning Tree mode, then the port path cost applies to the specified VLAN STP instance associated with the port. If the switch is running in the flat Spanning Tree mode, then the port path cost applies across all VLANs associated with the port. However, the port path cost is associated with the flat mode instance 0, even though the physical port is associated with other VLANs.

To change the path cost for a port, enter **bridge** followed by an existing VLAN ID (or VLAN 1 if using a flat Spanning Tree instance) then the port's *slot/port* designation followed by **path cost** and a numerical value between 0 and 65535 for the path cost value. For example, the following command sets the path cost for port 1 on slot 8 for VLAN 10 to 19 (the port speed is 100 Mbps, 19 is the recommended value).

```
-> bridge 10 8/1 path cost 19
```

Path Cost for Link Aggregate Ports

Physical ports that belong to a link aggregate do not participate in the Spanning Tree Algorithm. Instead, the algorithm is applied to the aggregate logical link (virtual port) that represents a collection of physical ports. By default, STP is enabled on the aggregate logical link and the path cost value is set to zero.

If the path cost for a link aggregate is set to zero, the following default values used are based on link speed and link aggregate size. Note that for Gigabit ports the aggregate size is not applicable in this case:

Link Speed	Aggregate Size (number of links)	Default Path Cost Value
10 Mbps	2	60
	4	40
	8	30
	16	20
100 Mbps	2	12
	4	9
	8	7
	16	5
1 Gbps	N/A	3
10 Gbps	N/A	1

To change the STP path cost for a link aggregate, use the same **bridge path cost** command, but specify a link aggregate control number instead of a slot and port. For example, the following command sets the path cost for link aggregate 29 associated with VLAN 755 to 19:

```
-> bridge 755 29 path cost 19
```

For more information about configuring an aggregate of ports, see [Chapter 10, “Configuring Static Link Aggregation,”](#) and [Chapter 11, “Configuring Dynamic Link Aggregation.”](#)

To view the STP path cost for a port, use the **show spantree ports** command. For more information about this command, see the *OmniSwitch CLI Reference Guide*.

Configuring Port Mode

There are two port modes supported: manual and dynamic. Manual mode indicates that the port was set by the user to a forwarding or blocking state. The port will operate in the state selected until the state is manually changed again or the port mode is changed to dynamic. Ports operating in a manual mode state do not participate in the Spanning Tree Algorithm. Dynamic mode indicates that the active Spanning Tree Algorithm will determine port state.

By default, STP is enabled on the port and the port operates in the dynamic mode. If the switch is running in the 1x1 Spanning Tree mode, then the port mode applies to the specified VLAN STP instance associated with the port. If the switch is running in the flat Spanning Tree mode, then the port mode applies across all VLANs associated with the port. However, the port mode for the port is associated with the flat mode instance 0, even though the physical port is associated with other VLANs.

To change the mode for a port, enter **bridge** followed by an existing VLAN ID (or VLAN 1 if using a flat Spanning Tree instance) then the port's *slot/port* designation followed by **mode** and then enter either **forwarding**, **blocking** or **dynamic**. For example, the following commands set the mode for port 1/8 for VLAN 10 to forwarding and the mode for port 2/1 for the flat STP instance to blocking:

```
-> bridge 10 1/8 mode forwarding
-> bridge 0 2/1 mode blocking
```

Mode for Link Aggregate Ports

Physical ports that belong to a link aggregate do not participate in the Spanning Tree Algorithm. Instead, the algorithm is applied to the aggregate logical link (virtual port) that represents a collection of physical ports. To change the STP port mode for a link aggregate, use the same **bridge** command, but specify a link aggregate control number instead of a slot and port. For example, the following command sets the port mode for link aggregate 29 associated with VLAN 755 to blocking:

```
-> bridge 755 29 mode blocking
```

For more information about configuring an aggregate of ports, see [Chapter 10, “Configuring Static Link Aggregation,”](#) and [Chapter 11, “Configuring Dynamic Link Aggregation.”](#)

To determine which mode a port is operating in, use the **show spantree ports** command. For more information about this command, see the *OmniSwitch CLI Reference Guide*.

Configuring Port Connection Type

Specifying a port connection type is done when using the Rapid Spanning Tree Algorithm and Protocol (RSTP), as defined in the IEEE 802.1w standard. RSTP transitions a port from a blocking state directly to forwarding, bypassing the listening and learning states, to provide a rapid reconfiguration of the Spanning Tree in the event of a path or root bridge failure. Rapid transition of a port state depends on the port’s configurable connection type. These types are defined as follows:

- Point-to-point LAN segment (port connects directly to another switch).
- No point-to-point shared media LAN segment (port connects to multiple switches).
- Edge port (port is at the edge of a bridged LAN, does not receive BPDU and has only one MAC address learned). Edge ports, however, will operationally revert to a point to point or a no point to point connection type if a BPDU is received on the port.

A port is considered connected to a point-to-point LAN segment if the port belongs to a link aggregate of ports, or if auto negotiation determines if the port should run in full duplex mode, or if full duplex mode was administratively set. Otherwise, that port is considered connected to a no point-to-point LAN segment.

Rapid transition of a designated port to forwarding can only occur if the port’s connection type is defined as a point to point or an edge port. Defining a port’s connection type as a point to point or as an edge port makes the port eligible for rapid transition, regardless of what actually connects to the port. However, an alternate port transition to the role of root port is always allowed regardless of the alternate port’s connection type.

Note. Configure ports that will connect to a host (PC, workstation, server, etc.) as edge ports so that these ports will transition directly to a forwarding state and not trigger an unwanted topology change when a device is connected to the port. If a port is configured as a point to point or no point to point connection type, the switch will assume a topology change when this port goes active and will flush and relearn all learned MAC addresses for the port’s assigned VLAN.

By default, STP is enabled on the port and the connection type is set to auto point to point. The auto point to point setting determines the connection type based on the operational status of the port.

If the switch is running in the 1x1 Spanning Tree mode, then the connection type applies to the specified VLAN STP instance associated with the port. If the switch is running in the flat Spanning Tree mode, then

the connection type applies across all VLANs associated with the port. However, the port connection type is associated with the flat mode instance 0, even though the physical port is associated with other VLANs.

To change the mode for a port, enter **bridge** followed by an existing VLAN ID (or **0** if using a flat STP instance) then the port's **slot/port** designation followed by **connection** and then enter either **noptp**, **ptp**, **autoptp**, or **edgeport**. For example, the following commands define an edge port connection type for port 1/8 associated with VLAN 10 and port 2/1 associated with the flat STP instance:

```
-> bridge 10 8/1 connection edgeport
-> bridge 0 2/1 connection edgeport
```

Note that the **bridge slot/port connection** command only configures one port at a time.

Connection Type on Link Aggregate Ports

Physical ports that belong to a link aggregate do not participate in the Spanning Tree Algorithm. Instead, the algorithm is applied to the aggregate logical link (virtual port) that represents a collection of physical ports. To change the STP port connection type for a link aggregate, use the same **bridge** command, but specify a link aggregate control number instead of a slot and port. For example, the following command defines the link aggregate 29 associated with VLAN 755 as an edge port:

```
-> bridge 755 29 connection edgeport
```

For more information about configuring an aggregate of ports, see [Chapter 10, “Configuring Static Link Aggregation,”](#) and [Chapter 11, “Configuring Dynamic Link Aggregation.”](#)

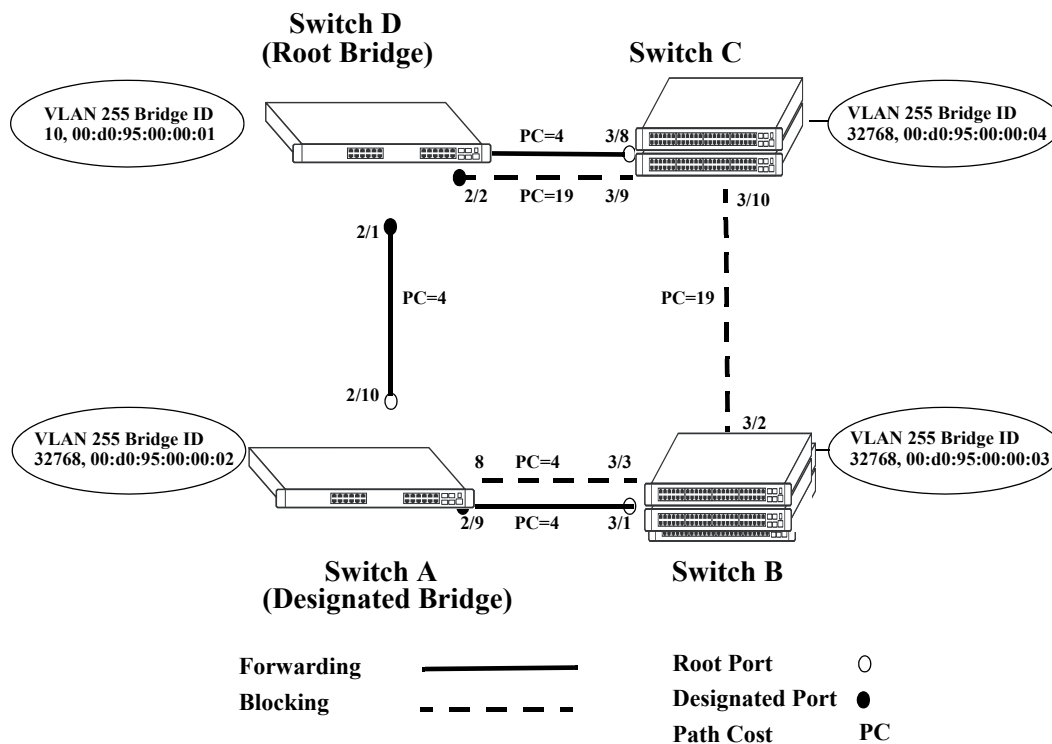
To view the port connection type, use the **show spantree ports** command. For more information about this command, see the *OmniSwitch CLI Reference Guide*.

Sample Spanning Tree Configuration

This section provides an example network configuration in which the Spanning Tree Algorithm and Protocol has calculated a loop-free topology. In addition, a tutorial is also included that provides steps on how to configure the example network topology using the Command Line Interface (CLI).

Example Network Overview

The following diagram shows a four-switch network configuration with an active Spanning Tree topology, which was calculated based on both configured and default Spanning Tree parameter values:



Example Active Spanning Tree Topology

In the above example topology:

- Each switch is operating in the 1x1 Spanning Tree mode by default.
- Each switch configuration has a VLAN 255 defined. The Spanning Tree administrative status for this VLAN was enabled by default when the VLAN was created.
- VLAN 255 on each switch is configured to use the 802.1w (rapid reconfiguration) Spanning Tree Algorithm and Protocol.
- Ports 2/1-3, 2/8-10, 3/1-3, and 3/8-10 provide connections to other switches and are all assigned to VLAN 255 on their respective switches. The Spanning Tree administrative status for each port is enabled by default.
- The path cost for each port connection defaults to a value based on the link speed. For example, the connection between Switch B and Switch C is a 100 Mbps link, which defaults to a path cost of 19.

- VLAN 255 on Switch D is configured with a Bridge ID priority value of 10, which is less than the same value for VLAN 255 configured on the other switches. As a result, VLAN 255 was elected the Spanning Tree root bridge for the VLAN 255 broadcast domain.
- A root port is identified for VLAN 255 on each switch, except the root VLAN 255 switch. The root port identifies the port that provides the best path to the root VLAN.
- VLAN 255 on Switch A was elected the designated bridge because it offers the best path cost for Switch B to the root VLAN 255 on Switch D.
- Port 2/9 on Switch A is the designated port for the Switch A to Switch B connection because Switch A is the designated bridge for Switch B.
- Redundant connections exist between Switch D and Switch C. Ports 2/2 and 3/9 are in a discarding (blocking) state because this connection has a higher path cost than the connection provided through ports 2/3 and 3/8. As a result, a network loop condition is avoided.
- Redundant connections also exist between Switch A and Switch B. Although the path cost value for both of these connections is the same, ports 2/8 and 3/3 are in a discarding state because their port priority values (not shown) are higher than the same values for ports 2/10 and 3/1.
- The ports that provide the connection between Switch B and Switch C are in a discarding (blocking) state, because this connection has a higher path cost than the other connections leading to the root VLAN 255 on Switch D. As a result, a network loop is avoided.

Example Network Configuration Steps

The following steps provide a quick tutorial that configures the active Spanning Tree network topology shown in the diagram on [page 5-21](#).

1 Create VLAN 255 on Switches A, B, C, and D with “Marketing IP Network” for the VLAN description on each switch using the following command:

```
-> vlan 255 name "Marketing IP Network"
```

2 Assign the switch ports that provide connections between each switch to VLAN 255. For example, the following commands entered on Switches A, B, C, and D, respectively, assign the ports shown in the example network diagram on [page 5-21](#) to VLAN 255:

```
-> vlan 255 port default 2/8-10
-> vlan 255 port default 3/1-3
-> vlan 255 port default 3/8-10
-> vlan 255 port default 2/1-3
```

3 Change the Spanning Tree protocol for VLAN 255 to 802.1w (rapid reconfiguration) on each switch using the following command:

```
-> bridge 255 protocol 1w
```

4 Change the bridge priority value for VLAN 255 on Switch D to **10** using the following command (leave the priority for VLAN 255 on the other three switches set to the default value of **32768**):

```
-> bridge 255 priority 10
```

VLAN 255 on Switch D will have the lowest Bridge ID priority value of all four switches, which will qualify it as the Spanning Tree root VLAN for the VLAN 255 broadcast domain.

Note. To verify the VLAN 255 Spanning Tree configuration on each switch use the following show commands. The following outputs are for example purposes only and may not match values shown in the sample network configuration:

```
-> show spantree 255
Spanning Tree Parameters for Vlan 255
Spanning Tree Status : ON,
Protocol : IEEE 802.1W (Fast STP),
mode : 1X1 (1 STP per Vlan),
Priority : 32768 (0x0FA0),
Bridge ID : 8000-00:d0:95:00:00:04,
Designated Root : 000A-00:d0:95:00:00:01,
Cost to Root Bridge : 4,
Root Port : Slot 3 Interface 8,
Next Best Root Cost : 0,
Next Best Root Port : None,
Hold Time : 1,
Topology Changes : 3,
Topology age : 0:4:37
Current Parameters (seconds)
Max Age = 30,
Forward Delay = 15,
Hello Time = 2
Parameters system uses when attempting to become root
System Max Age = 30,
System Forward Delay = 15,
System Hello Time = 2

-> show spantree 255 ports
Spanning Tree Port Summary for Vlan 255
      Adm Oper Man. Path  Desig      Fw  Prim. Adm Op
Port  Pri St  St   mode Cost   Cost Role Tx  Port  Cnx Cnx  Desig Bridge ID
-----+-----+-----+-----+-----+-----+-----+-----+-----+-----+-----+-----+-----+-----+-----+-----+
3/8   7  ENA FORW  No    4    29  ROOT  1  3/8  NPT NPT  000A-00:d0:95:00:00:01
3/9   7  ENA BLOCK No    19   48  BACK  0  3/9  NPT NPT  8000-00:d0:95:00:00:04
3/10  7  ENA BLOCK No    19   48  ALTN  0  3/10 NPT NPT  8000-00:d0:95:00:00:03
```

Verifying the Spanning Tree Configuration

To display information about the Spanning Tree configuration on the switch, use the show commands listed below:

- | | |
|----------------------------|---|
| show spantree | Displays VLAN Spanning Tree information, including parameter values and topology change statistics. |
| show spantree ports | Displays Spanning Tree information for switch ports, including parameter values and the current port state. |

For more information about the resulting displays from these commands, see the *OmniSwitch CLI Reference Guide*. An example of the output for the **show spantree** and **show spantree ports** commands is also given in [“Example Network Configuration Steps” on page 5-22](#).

6 Assigning Ports to VLANs

Initially all switch ports are non-mobile (fixed) and are assigned to VLAN 1, which is also their *configured default* VLAN. When additional VLANs are created on the switch, ports are assigned to the VLANs so that traffic from devices connected to these ports is bridged within the VLAN domain. Switch ports are either statically or dynamically assigned to VLANs.

Methods for statically assigning ports to VLANs include the following:

- Using the **vlan port default** command to define a new configured default VLAN for both non-mobile (fixed) and mobile ports. (See “[Statically Assigning Ports to VLANs](#)” on page 6-4.)
- Using the **vlan 802.1q** command to define tagged VLANs for non-mobile ports. This method allows the switch to bridge traffic for multiple VLANs over one physical port connection. (See [Chapter 9](#), “[Configuring 802.1Q](#).”)
- Configuring ports as members of a link aggregate that is assigned to a configured default VLAN. (See [Chapter 10](#), “[Configuring Static Link Aggregation](#),” and [Chapter 11](#), “[Configuring Dynamic Link Aggregation](#).”)

Dynamic assignment applies only to mobile ports. When traffic is received on a mobile port, the packets are classified using one of the following methods to determine VLAN assignment (see “[Dynamically Assigning Ports to VLANs](#)” on page 6-4 for more information):

- Packet is tagged with a VLAN ID that matches the ID of another VLAN that has mobile tagging enabled.
- Packet contents matches criteria defined in a VLAN rule.

Regardless of how a port is assigned to a VLAN, once the assignment occurs, a VLAN port association (VPA) is created and tracked by VLAN management software on each switch.

In This Chapter

This chapter describes how to statically assign ports to a new default VLAN and configure mobile ports for dynamic assignment through the Command Line Interface (CLI). CLI commands are used in the configuration examples; for more details about the syntax of commands, see the *OmniSwitch CLI Reference Guide*.

Configuration procedures described in this chapter include:

- Statically assigning ports to VLANs on [page 6-4](#).
- Dynamically assigning ports to VLANs (port mobility) [page 6-10](#).
- Configuring mobile port properties (including authentication) on [page 6-16](#).

Port Assignment Specifications

IEEE Standards Supported	802.1Q– <i>Virtual Bridged Local Area Networks</i> 802.1D– <i>Media Access Control Bridges</i>
Maximum VLANs per switch and stack	1024 (including default VLAN 1)
Maximum VLAN port associations	32768
Switch ports eligible for port mobility.	Untagged Ethernet and gigabit Ethernet ports that are not members of a link aggregate.
Switch ports eligible for dynamic VLAN assignment.	Mobile ports.
Switch ports eligible for static VLAN assignment.	Non-mobile (fixed) ports. Mobile ports. Uplink ports. 10 gigabit ports. Link aggregate of ports.

Port Assignment Defaults

Parameter Description	Command	Default
Configured default VLAN	vlan port default	All ports initially associated with default VLAN 1.
Port mobility	vlan port mobile	Disabled
Bridge mobile port traffic that doesn't match any VLAN rules on the configured default VLAN	vlan port default vlan	Disabled
Drop mobile port dynamic VLAN assignments when learned mobile port traffic that triggered the assignment ages out	vlan port default vlan restore	Enabled
Enable Layer 2 authentication on the mobile port	vlan port authenticate	Disabled
Enable 802.1x port-based access control on a mobile port	vlan port 802.1x	Disabled

Sample VLAN Port Assignment

The following steps provide a quick tutorial that will create a VLAN, statically assign ports to the VLAN, and configure mobility on some of the VLAN ports:

- 1 Create VLAN 255 with a description (e.g., Finance IP Network) using the following command:

```
-> vlan 255 name "Finance IP Network"
```

- 2 Assign switch ports 2 through 5 on slot 3 to VLAN 255 using the following command:

```
-> vlan 255 port default 3/2-5
```

VLAN 255 is now the *configured default VLAN* for ports 2 through 5 on slot 3.

- 3 Enable mobility on ports 4 and 5 on slot 3 using the following command:

```
-> vlan port mobile 3/4-5
```

- 4 Disable the default VLAN parameter for mobile ports 3/4 and 3/5 using the following command:

```
-> vlan port 3/4-5 default vlan disable
```

With this parameter disabled, VLAN 255 will not carry any traffic received on 3/4 or 3/5 that does not match any VLAN rules configured on the switch.

Note. *Optional.* To verify that ports 2 through 5 on slot 3 were assigned to VLAN 255, enter **show vlan** followed by 255 then **port**. For example:

```
-> show vlan 255 port
port      type      status
-----+-----+-----
 3/2     default  inactive
 3/3     default  inactive
 3/4     default  inactive
 3/5     default  inactive
```

To verify the mobile status of ports 4 and 5 on slot 3 and determine which mobile port parameters are enabled, enter **show vlan port mobile** followed by a slot and port number. For example:

```
-> show vlan port mobile 3/4
Mobility           : on,
Config Default Vlan: 255,
Default Vlan Enabled: off,
Default Vlan Perm  : on,
Default Vlan Restore: on,
Authentication     : off,
Ignore BPDUs       : off
```

Statically Assigning Ports to VLANs

The **vlan port default** command is used to statically assign both mobile and non-mobile ports to another VLAN. When the assignment is made, the port drops the previous VLAN assignment. For example, the following command assigns port 2 on slot 3, currently assigned to VLAN 1, to VLAN 755:

```
-> vlan 755 port default 3/2
```

Port 3/2 is now assigned to VLAN 755 and no longer associated with VLAN 1. In addition, VLAN 755 is now the new configured default VLAN for the port.

A configured default VLAN is the VLAN statically assigned to a port. Any time the **vlan port default** command is used, the VLAN assignment is static and a new configured default VLAN is defined for the port. This command is also the only way to change a non-mobile port VLAN assignment. In addition, non-mobile ports can only retain one VLAN assignment, unlike mobile ports that can dynamically associate with multiple VLANs. See [“Dynamically Assigning Ports to VLANs” on page 6-4](#) for more information about mobile ports.

Additional methods for statically assigning ports to VLANs include the following:

- Using the **vlan 802.1q** command to define tagged VLANs for non-mobile ports. This method allows the switch to bridge traffic for multiple VLANs over one physical port connection. (See [Chapter 9, “Configuring 802.1Q,”](#) for more information.)
- Configuring ports as members of a link aggregate that is assigned to a configured default VLAN. (See [Chapter 10, “Configuring Static Link Aggregation,”](#) and [Chapter 11, “Configuring Dynamic Link Aggregation,”](#) for more information.)

When a port is statically assigned to a VLAN, a VLAN port association (VPA) is created and tracked by VLAN management software on each switch. To display a list of all VPAs, use the **show vlan port** command. For more information, see [“Verifying VLAN Port Associations and Mobile Port Properties” on page 6-19](#).

Dynamically Assigning Ports to VLANs

Mobile ports are the only types of ports that are eligible for dynamic VLAN assignment. When traffic received on a mobile port matches pre-defined VLAN criteria, the port and the matching traffic are assigned to the VLAN without user intervention.

By default, all switch ports are non-mobile (fixed) ports that are statically assigned to a specific VLAN and can only belong to one default VLAN at a time. The **vlan port mobile** command is used to enable mobility on a port. Once enabled, switch software classifies mobile port traffic to determine the appropriate VLAN assignment. Depending on the type of traffic classification used (VLAN rules or VLAN ID tag), mobile ports can also associate with more than one VLAN.

VLANs do not have a mobile or non-mobile distinction and there is no overall switch setting to invoke the mobile port feature. Instead, mobility is enabled on individual switch ports and rules are defined for individual VLANs to classify mobile port traffic.

When a port is dynamically assigned to a VLAN, a VLAN port association (VPA) is created and tracked by VLAN management software on each switch. To display a list of all VPAs, use the **show vlan port** command. For more information, see [“Verifying VLAN Port Associations and Mobile Port Properties” on page 6-19](#).

How Dynamic Port Assignment Works

Traffic received on mobile ports is classified using one of the following methods:

- Packet is tagged with a VLAN ID that matches the ID of another VLAN that has mobile tagging enabled. (See [“VLAN Mobile Tag Classification” on page 6-5](#) for more information.)
- Packet contents matches criteria defined in a VLAN rule. (See [“VLAN Rule Classification” on page 6-8](#) for more information.)

Classification triggers dynamic assignment of the mobile port and qualifying traffic to the VLAN with the matching criteria. The following sections further explain the types of classification and provide examples.

VLAN Mobile Tag Classification

VLAN mobile tag classification provides a dynamic 802.1Q tagging capability. This feature allows mobile ports to receive and process 802.1Q tagged packets destined for a VLAN that has mobile tagging enabled.

The `vlan mobile-tag` command is used to enable or disable mobile tagging for a specific VLAN (see [Chapter 4, “Configuring VLANs,”](#) for more information). If 802.1Q tagging is required on a fixed (non-mobile) port, then the `vlan 802.1q` command is still used to statically tag VLANs for the port (see [Chapter 9, “Configuring 802.1Q,”](#) for more information).

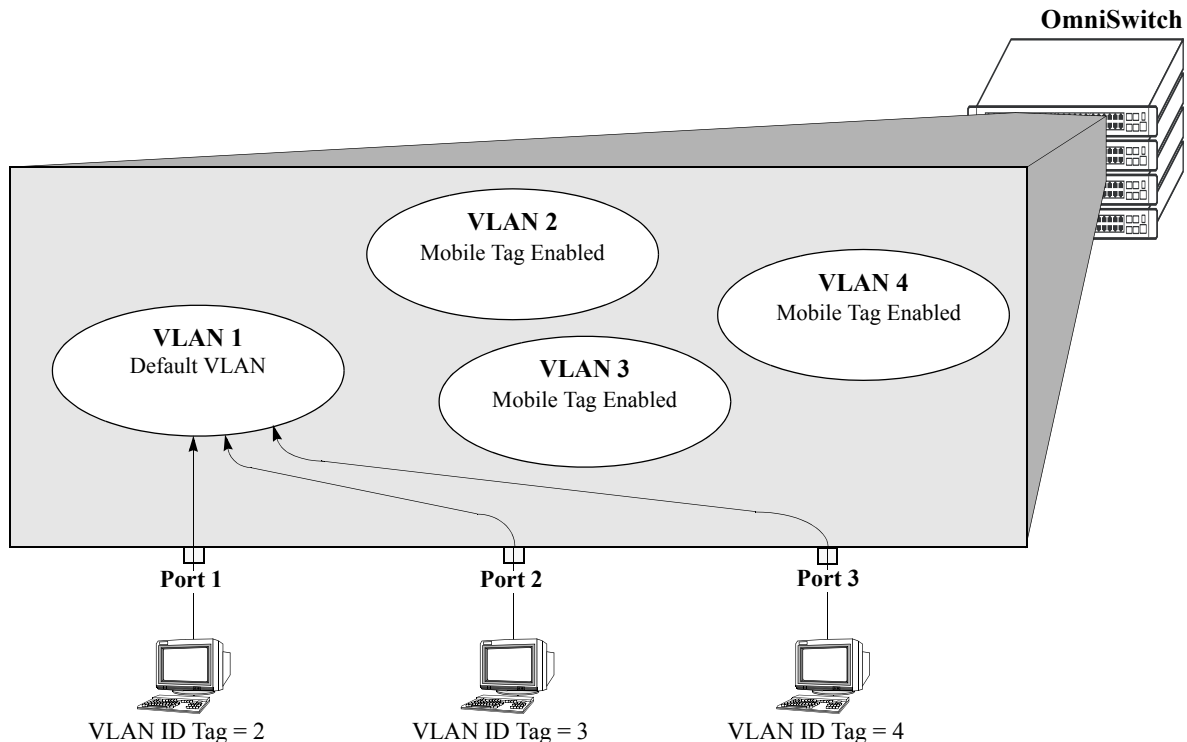
Consider the following when using VLAN mobile tag classification:

- Using mobile tagging allows the dynamic assignment of mobile ports to one or more VLANs at the same time.
- If a mobile port receives a tagged packet with a VLAN ID of a VLAN that does not have mobile tagging enabled or the VLAN does not exist, the packet is dropped.
- VLAN mobile tag classification takes precedence over VLAN rule classification. If a mobile port receives traffic that matches a VLAN rule and also has an 802.1Q VLAN ID tag for a VLAN with mobile tagging enabled, the port is dynamically assigned to the mobile tag VLAN and not the matching rule VLAN.
- If the administrative status of a mobile tag VLAN is disabled, dynamic mobile port assignments are retained but traffic on these ports is filtered for the disabled VLAN. However, the VLAN mobile tag attribute remains active and continues to classify mobile port traffic for VLAN membership.

The following example shows how mobile ports are dynamically assigned using VLAN mobile tagging to classify mobile port traffic. This example includes diagrams showing the initial VLAN port assignment configuration and a diagram showing how the configuration looks after mobile port traffic is classified.

In the initial VLAN port assignment configuration shown below,

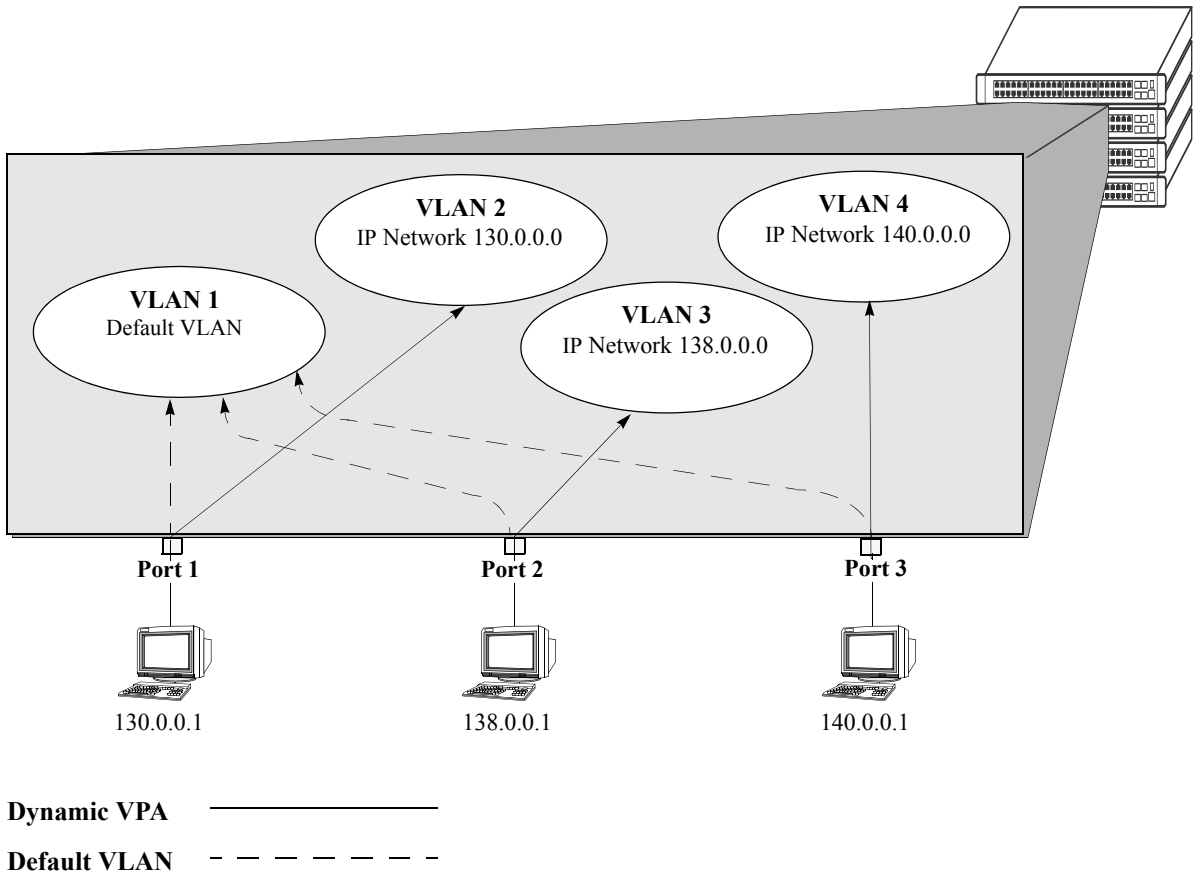
- All three ports have workstations that are configured to send packets with an 802.1Q VLAN ID tag for three different VLANs (VLAN 2, 3, and 4).
- Mobility is enabled on each of the workstation ports.
- VLAN 1 is the configured default VLAN for each port.
- VLANs 2, 3, and 4 are configured on the switch, each one has VLAN mobile tagging enabled.



VLAN Mobile Tag Classification: Initial Configuration

As soon as the workstations start sending traffic, switch software checks the 802.1Q VLAN ID tag of the frames and looks for a VLAN that has the same ID and also has mobile tagging enabled. Since the workstations are sending tagged packets destined for the mobile tag enabled VLANs, each port is assigned to the appropriate VLAN without user intervention. As the diagram on [page 6-7](#) shows,

- Port 1 is assigned to VLAN 2, because the workstation is transmitting tagged packets destined for VLAN 2.
- Port 2 is assigned to VLAN 3 because the workstation is transmitting tagged packets destined for VLAN 3.
- Port 3 is assigned to VLAN 4 because the workstation is transmitting tagged packets destined for VLAN 4.
- All three ports, however, retain their default VLAN 1 assignment, but now have an additional VLAN port assignment that carries the matching traffic on the appropriate rule VLAN.



Tagged Mobile Port Traffic Triggers Dynamic VLAN Assignment

VLAN Rule Classification

VLAN rule classification triggers dynamic VLAN port assignment when traffic received on a mobile port matches the criteria defined in a VLAN rule. Different rule types are available for classifying different types of network device traffic (see [Chapter 7, “Defining VLAN Rules,”](#) for more information).

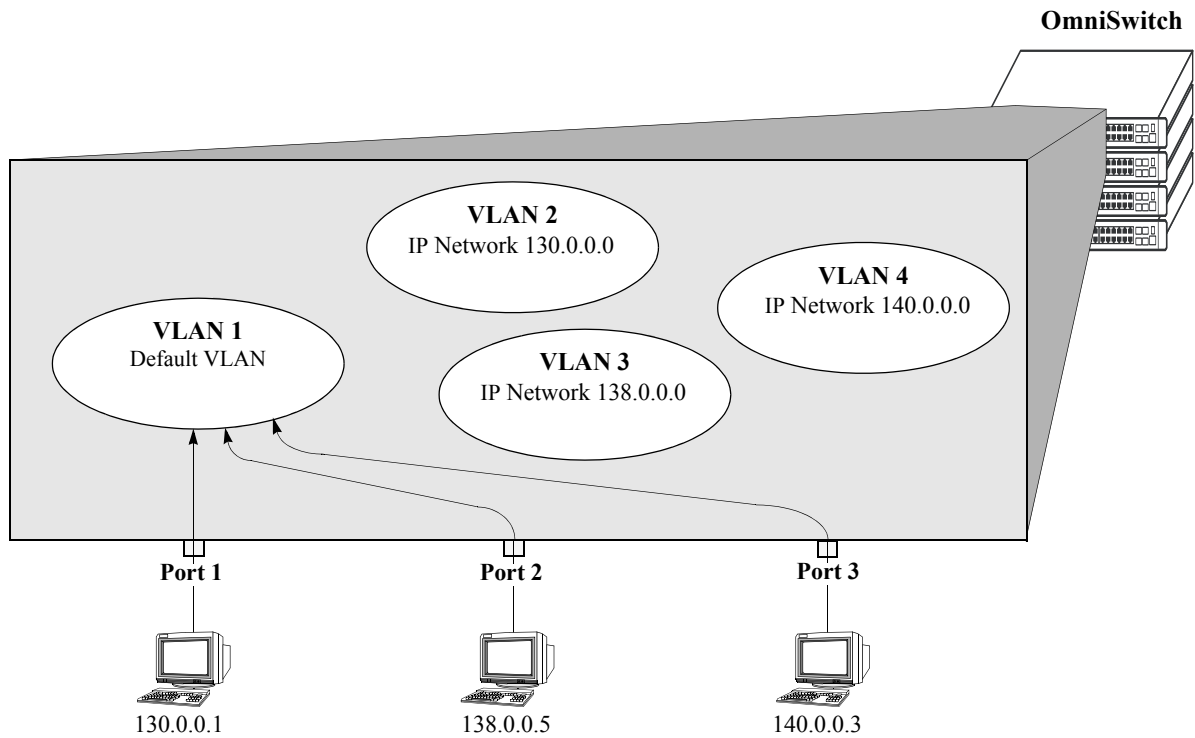
Note the following items when using VLAN rule classification:

- IP network address rules are applied to traffic received on both mobile *and* fixed ports. If traffic contains a source IP address that is included in the subnet specified by the rule, the traffic is dropped. This does not occur, however, if the IP network address rule is configured on the default VLAN for the fixed port.
- If the contents of a mobile port frame matches the values specified in both an IP network address rule and a port-protocol binding rule, the IP network address rule takes precedence. However, if the contents of such frame violates the port-protocol binding rule, the frame is dropped. See [Chapter 7, “Defining VLAN Rules,”](#) for more information about rule precedence.
- When an active device is disconnected from a mobile port and connected to a fixed port, the source MAC address of that device is not learned on the fixed port until the MAC address has aged out and no longer appears on the mobile port.
- If a VLAN is administratively disabled, dynamic mobile port assignments are retained but traffic on these ports is filtered for the disabled VLAN. However, VLAN rules remain active and continue to classify mobile port traffic for VLAN membership.
- When a VLAN is deleted from the switch configuration, all rules defined for that VLAN are automatically removed and any static or dynamic port assignments are dropped.

The following example illustrates how mobile ports are dynamically assigned using VLAN rules to classify mobile port traffic. This example includes diagrams showing the initial VLAN port assignment configuration and a diagram showing how the configuration looks after mobile port traffic is classified.

In the initial VLAN port assignment configuration shown on [page 6-9](#),

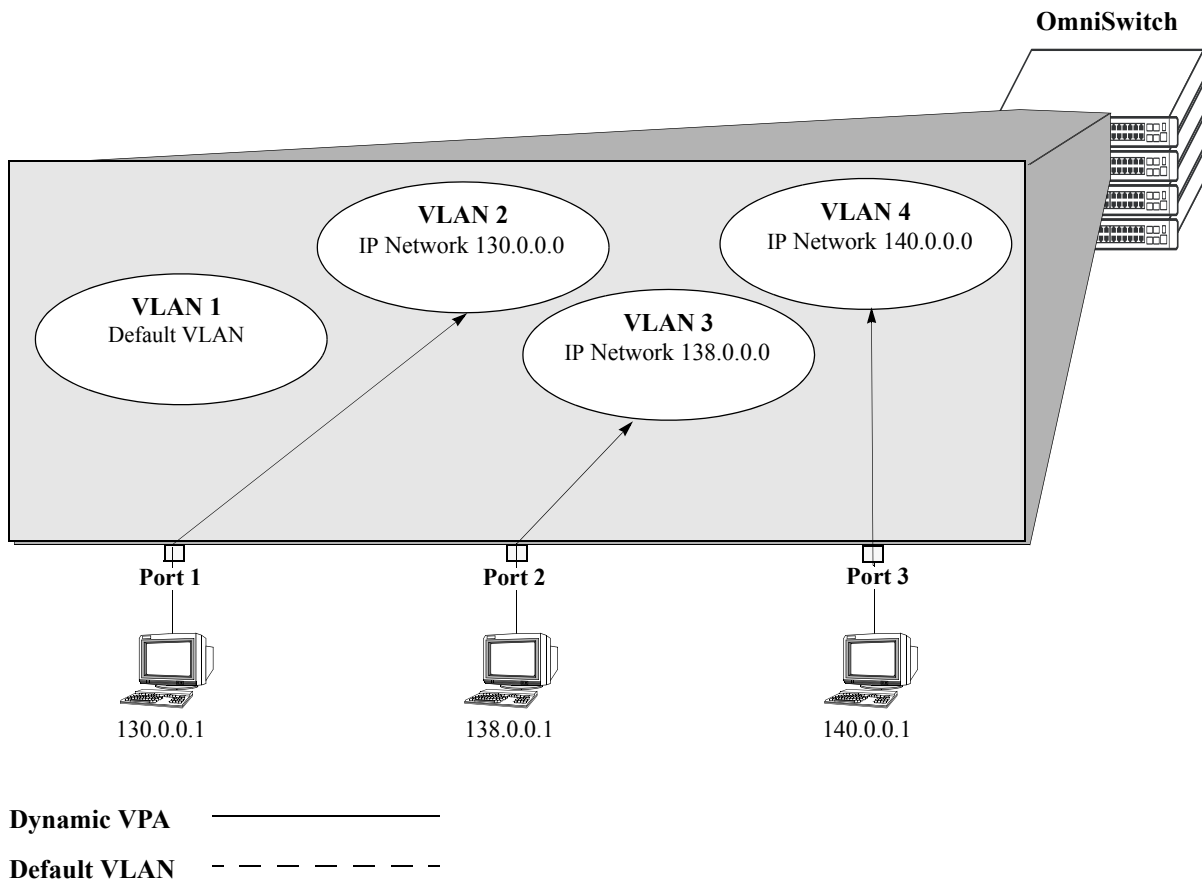
- All three ports have workstations that belong to three different IP subnets (130.0.0.0, 138.0.0.0, and 140.0.0.0).
- Mobility is enabled on each of the workstation ports.
- VLAN 1 is the configured default VLAN for each port.
- Three additional VLANs are configured on the switch, each one has an IP network address rule defined for one of the IP subnets.



VLAN Rule Classification: Initial Configuration

As soon as the workstations start sending traffic, switch software checks the source subnet of the frames and looks for a match with any configured IP network address rules. Since the workstations are sending traffic that matches a VLAN rule, each port is assigned to the appropriate VLAN without user intervention. As the diagram on [page 6-10](#) shows,

- Port 1 is assigned to VLAN 2, because the workstation is transmitting IP traffic on network 130.0.0.0 that matches the VLAN 2 network address rule.
- Port 2 is assigned to VLAN 3 because the workstation is transmitting IP traffic on network 138.0.0.0 that matches the VLAN 3 network address rule.
- Port 3 is assigned to VLAN 4 because the workstation is transmitting IP traffic on network 140.0.0.0 that matches the VLAN 4 network address rule.



Mobile Port Traffic Triggers Dynamic VLAN Assignment

Configuring Dynamic VLAN Port Assignment

Dynamic VLAN port assignment requires the following configuration steps:

- 1** Use the **vlan port mobile** command to enable mobility on switch ports that will participate in dynamic VLAN assignment. See [“Enabling/Disabling Port Mobility” on page 6-11](#) for detailed procedures.
- 2** Enable/disable mobile port properties that determine mobile port behavior. See [“Configuring Mobile Port Properties” on page 6-16](#) for detailed procedures.
- 3** Create VLANs that will receive and forward mobile port traffic. See [Chapter 4, “Configuring VLANs,”](#) for more information.
- 4** Configure the method of traffic classification (VLAN rules or tagged VLAN ID) that will trigger dynamic assignment of a mobile port to the VLANs created in Step 3. See [“VLAN Rule Classification” on page 6-8](#) and [“VLAN Mobile Tag Classification” on page 6-5](#) for more information.

Once the above configuration steps are completed, dynamic VLAN assignment occurs when a device connected to a mobile port starts to send traffic. This traffic is examined by switch software to determine which VLAN should carry the traffic based on the type of classification, if any, defined for a particular VLAN. See [“Dynamically Assigning Ports to VLANs” on page 6-4](#) for more information and examples of dynamic VLAN port assignment.

Enabling/Disabling Port Mobility

To enable mobility on a port, use the **vlan port mobile** command. For example, the following command enables mobility on port 1 of slot 4:

```
-> vlan port mobile 4/1
```

To enable mobility on multiple ports, specify a range of ports and/or multiple slots.

```
-> vlan port mobile 4/1-5 5/12-20 6/10-15
```

Use the **no** form of this command to disable port mobility.

```
-> vlan no port mobile 5/21-24 6/1-4
```

Only Ethernet and gigabit Ethernet ports are eligible to become mobile ports. If any of the following conditions are true, however, these ports are considered non-mobile ports and are not available for dynamic VLAN assignment:

- The mobile status for the port is disabled (the default).
- The port is an 802.1Q tagged port.
- The port belongs to a link aggregate of ports.
- Spanning Tree is active on the port and the BPDU ignore status is disabled for the port. (See [“Ignoring Bridge Protocol Data Units \(BPDU\)” on page 6-11](#) for more information.)
- The port is configured to mirror other ports.

Note. Mobile ports are automatically *trusted* ports regardless of the QoS settings. See [Chapter 21, “Configuring QoS,”](#) for more information.

Use the **show vlan port mobile** command to display a list of ports that are mobile or are eligible to become mobile. For more information about this command, see the *OmniSwitch CLI Reference Guide*.

Ignoring Bridge Protocol Data Units (BPDU)

By default, ports that send or receive Spanning Tree Bridge Protocol Data Units (BPDU) are not eligible for dynamic VLAN assignment. If the switch sees BPDU on a port, it does not attempt to classify the port’s traffic. The **vlan port mobile** command, however, provides an optional **BPDU ignore** parameter. If this parameter is enabled when mobility is enabled on the port, the switch does not look for BPDU to determine if the port is eligible for dynamic assignment.

When **BPDU ignore** is disabled and the mobile port receives a BPDU, mobility is shut off on the port and the following occurs:

- The Switch Logging feature is notified of the port’s change in mobile status (see [Chapter 25, “Using Switch Logging,”](#) for more information).
- The port becomes a fixed (non-mobile) port that is associated only with its configured default VLAN.
- The port is included in the Spanning Tree algorithm.
- Mobility remains off on the port even if the port’s link is disabled or disconnected. Rebooting the switch, however, will restore the port’s original mobile status.

When **BPDU ignore** is enabled and the mobile port receives a BPDU, the following occurs:

- The port retains its mobile status and remains eligible for dynamic VLAN assignment.
- The port is not included in the Spanning Tree algorithm.

Note. Enabling BPDU ignore is not recommended. In specific cases where it is required, such as connecting legacy networks to mobile port networks, make sure that ignoring BPDU on a mobile port will not cause network loops to go undetected. Connectivity problems could also result if a mobile BPDU port dynamically moves out of its configured default VLAN where it provides traffic flow to/from the network.

The following command enables mobility and BPDU ignore on port 8 of slot 3:

```
-> vlan port mobile 3/8 BPDU ignore enable
```

Enabling mobility on an active port that sends or receives BPDU (e.g. ports that connect two switches and Spanning Tree is enabled on both the ports and their assigned VLANs) is not allowed. If mobility is required on this type of port, enable mobility and the **BPDU ignore** parameter when the port is not active.

Understanding Mobile Port Properties

Dynamic assignment of mobile ports occurs without user intervention when mobile port traffic matches VLAN criteria. When ports are dynamically assigned, however, the following configurable mobile port properties affect how a port uses its *configured default VLAN* and how long it retains a VLAN port association (VPA):

Mobile Port Property	If enabled	If disabled
Default VLAN	Port traffic that does not match any VLAN rules configured on the switch is flooded on the port's configured default VLAN.	Port traffic that does not match any VLAN rules is discarded.
Restore default VLAN	Port does not retain a dynamic VPA when the traffic that triggered the assignment ages out of the switch MAC address table (forwarding database).	Port retains a dynamic VPA when the qualifying traffic ages out of the switch MAC address table.

The effects of enabling or disabling mobile port properties are described through the following diagrams:

- How Mobile Port Traffic that Does Not Match any VLAN Rules is Classified on [page 6-14](#).
- How Mobile Port VLAN Assignments Age on [page 6-15](#).

What is a Configured Default VLAN?

Every switch port, mobile or non-mobile, has a configured default VLAN. Initially, this is VLAN 1 for all ports, but is configurable using the **vlan port default** command. For more information, see “[Statically Assigning Ports to VLANs](#)” on [page 6-4](#).

To view current VPA information for the switch, use the **show vlan port** command. Configured default VLAN associations are identified with a value of **default** in the **type** field. For more information, see “[Verifying VLAN Port Associations and Mobile Port Properties](#)” on [page 6-19](#).

What is a Secondary VLAN?

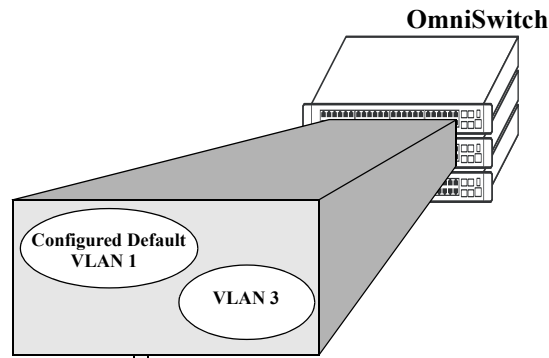
All mobile ports start out with a configured default VLAN assignment. When mobile port traffic matches VLAN criteria, the port is assigned to that VLAN. Secondary VLANs are any VLAN a port is subsequently assigned to that is not the configured default VLAN for that port.

A mobile port can obtain more than one secondary VLAN assignment under the following conditions:

- Mobile port receives untagged frames that contain information that matches rules on more than one VLAN. For example, if a mobile port receives IP and IPX frames and there is an IP protocol rule on VLAN 10 and an IPX protocol rule on VLAN 20, the mobile port is dynamically assigned to both VLANs. VLANs 10 and 20 become secondary VLAN assignments for the mobile port.
- Mobile port receives 802.1Q tagged frames that contain a VLAN ID that matches a VLAN that has VLAN mobile tagging enabled. For example, if a mobile port receives frames tagged for VLAN 10, 20 and 30 and these VLANs have mobile tagging enabled, the mobile port is dynamically assigned to all three VLANs. VLANs 10, 20, and 30 become secondary VLAN assignments for the mobile port.

VLAN Management software on each switch tracks VPAs. When a mobile port link is disabled and then enabled, all secondary VLAN assignments for that port are automatically dropped and the port's original configured default VLAN assignment is restored. Switch ports are disabled when a device is disconnected from the port, a configuration change is made to disable the port, or switch power is turned off.

To view current VPA information for the switch, use the **show vlan port** command. Dynamic secondary VLAN associations are identified with a value of **mobile** in the **type** field. For more information, see [“Verifying VLAN Port Associations and Mobile Port Properties” on page 6-19](#).

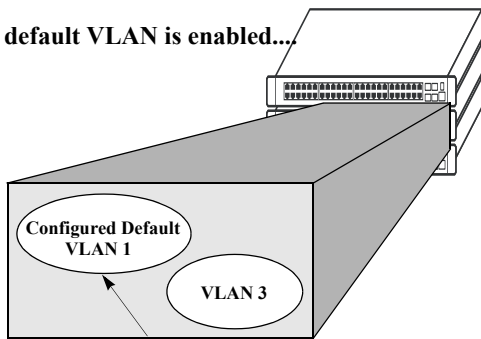


Device connected to a mobile port sends traffic. If the traffic matches existing VLAN criteria, then the mobile port and its traffic are dynamically assigned to that VLAN.



If device traffic does not match any VLAN rules, then the default VLAN property determines if the traffic is forwarded on the port's configured default VLAN (VLAN 1 in this example).

If default VLAN is enabled...



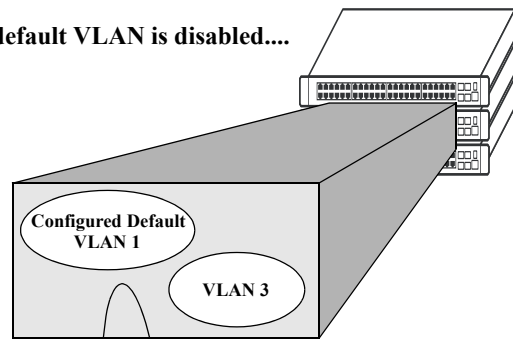
Device traffic that does not match any VLAN rules is forwarded on the mobile port's configured default VLAN.



Why enable default VLAN?

Ensures that all mobile port device traffic is carried on at least one VLAN.

If default VLAN is disabled...



Device traffic that does not match any VLAN rules is discarded.

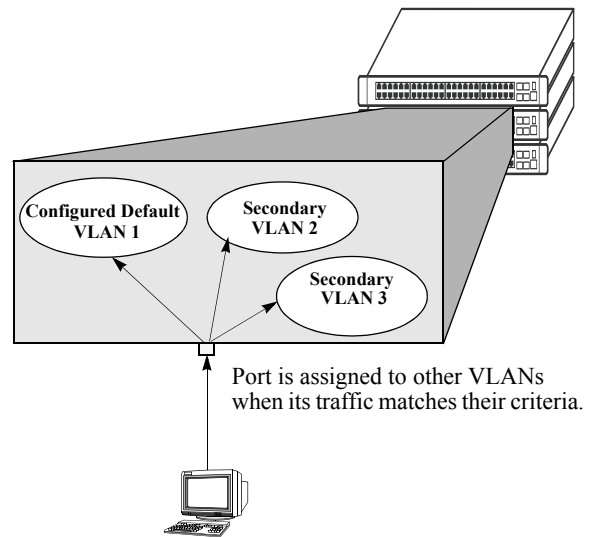
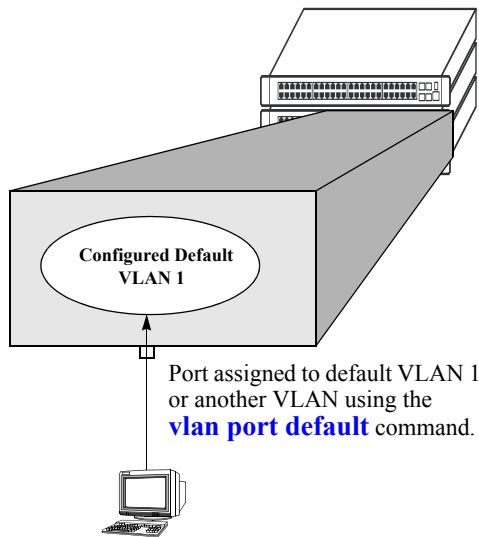


Why disable default VLAN?

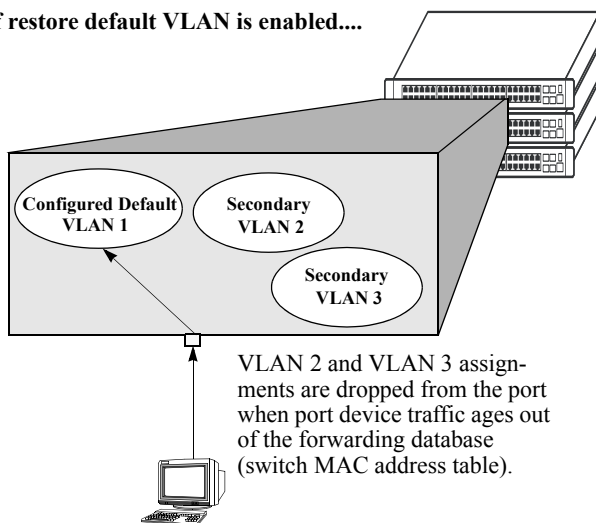
Reduces unnecessary traffic flow on a port's configured default VLAN.

Restricts dynamic assignment to mobile port traffic that matches one or more VLAN rules.

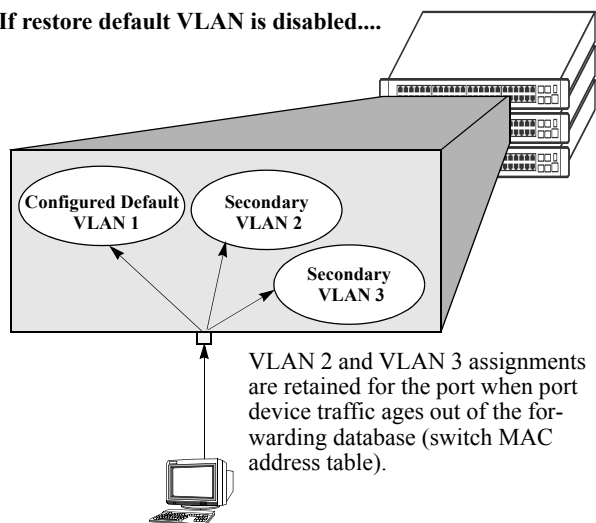
How Mobile Port Traffic that Does Not Match any VLAN Rules is Classified



If restore default VLAN is enabled....



If restore default VLAN is disabled....



Why enable restore default VLAN?

Security. VLANs only contain mobile port traffic that has recently matched rule criteria.

VPAs created from occasional network users (e.g., laptop) are not unnecessarily retained.

Why disable restore default VLAN?

VPAs are retained even when port traffic is idle for some time. When traffic resumes, it is not necessary to relearn the same VPA again. Appropriate for devices that only send occasional traffic.

How Mobile Port VLAN Assignments Age

Configuring Mobile Port Properties

Mobile port properties indicate mobile port status and affect port behavior when the port is dynamically assigned to one or more VLANs. For example, mobile port properties determine the following:

- Should the configured default VLAN forward or discard port traffic that does not match any VLAN rule criteria.
- Should the port retain or drop a dynamic VPA when traffic that triggered the assignment stops and the source MAC address learned on the port for that VLAN is aged out. (See [Chapter 2, “Managing Source Learning,”](#) for more information about the aging of MAC addresses.)
- Will the mobile port participate in Layer 2 authentication that provides a login process at the VLAN and/or port level. (See [Chapter 18, “Configuring Authenticated VLANs,”](#) and [Chapter 19, “Configuring 802.1X,”](#) for more information.)

This section contains procedures for using the following commands to configure mobile port properties. For more details about the syntax of commands, see the *OmniSwitch CLI Reference Guide*.

Command	Description
vlan port default vlan	Enables or disables forwarding of mobile port traffic on the port’s configured default VLAN that does not match any existing VLAN rules.
vlan port default vlan restore	Enables or disables the retention of VLAN port assignments when mobile port traffic ages out.
vlan port authenticate	Enables or disables authentication on a mobile port.
vlan port 802.1x	Enables or disables 802.1X port-based access control on a mobile port.

Use the **show vlan port mobile** command to view the current status of these properties for one or more mobile ports. See [“Verifying VLAN Port Associations and Mobile Port Properties” on page 6-19](#) for more information.

Enable/Disable Default VLAN

To enable or disable forwarding of mobile port traffic that does not match any VLAN rules on the port’s configured default VLAN, enter **vlan port** followed by the port’s **slot/port** designation then **default vlan** followed by **enable** or **disable**. For example,

```
-> vlan port 3/1 default vlan enable
-> vlan port 5/2 default vlan disable
```

To enable or disable the configured default VLAN on multiple ports, specify a range of ports and/or multiple slots.

```
-> vlan port 2/1-12 3/10-24 4/3-14 default vlan enable
```

Note. It is recommended that mobile ports with their default VLAN disabled should not share a VLAN with any other types of ports (e.g., mobile ports with default VLAN enabled or non-mobile, fixed ports).

See [“Understanding Mobile Port Properties” on page 6-12](#) for an overview and illustrations of how this property affects mobile port behavior.

Enable/Disable Default VLAN Restore

To enable or disable default VLAN restore, enter **vlan port** followed by the port's **slot/port** designation then **default vlan restore** followed by **enable** or **disable**. For example,

```
-> vlan port 3/1 default vlan restore enable
-> vlan port 5/2 default vlan restore disable
```

To enable or disable default VLAN restore on multiple ports, specify a range of ports and/or multiple slots.

```
-> vlan port 2/1-12 3/10-24 4/3-14 default vlan restore enable
```

Note the following when changing the restore default VLAN status for a mobile port:

- If a hub is connected to a mobile port, enabling default VLAN restore on that port is recommended.
- VLAN port rule assignments are exempt from the effects of the restore default VLAN status. See [Chapter 7, “Defining VLAN Rules,”](#) for more information about using port rules to forward mobile port traffic
- When a mobile port link is disabled and then enabled, all secondary VPAs for that port are automatically dropped regardless of the restore default VLAN status for that port. Switch ports are disabled when a device is disconnected from the port, a configuration change is made to disable the port, or switch power is turned off.

See “[Understanding Mobile Port Properties](#)” on page 6-12 for an overview and illustrations of how this property affects mobile port behavior.

Enable/Disable Port Authentication

To enable or disable authentication on a mobile port, enter **vlan port** followed by the port's **slot/port** designation then **authenticate** followed by **enable** or **disable**. For example,

```
-> vlan port 3/1 authenticate enable
-> vlan port 5/2 authenticate disable
```

To enable or disable authentication on multiple ports, specify a range of ports and/or multiple slots.

```
-> vlan port 6/1-32 8/10-24 9/3-14 authenticate enable
```

Only mobile ports are eligible for authentication. If enabled, the mobile port participates in the Layer 2 authentication process supported by Alcatel switches. This process restricts switch access at the VLAN level. The user is required to enter a valid login ID and password before gaining membership to a VLAN. For more information, see [Chapter 18, “Configuring Authenticated VLANs.”](#)

Enable/Disable 802.1X Port-Based Access Control

To enable or disable 802.1X on a mobile port, enter **vlan port** followed by the port's **slot/port** designation then **802.1x** followed by enable or disable. For example,

```
-> vlan port 3/1 802.1x enable
-> vlan port 5/2 802.1x disable
```

To enable or disable 802.1X on multiple ports, specify a range of ports and/or multiple slots.

```
-> vlan port 6/1-32 8/10-24 9/3-14 802.1x enable
-> vlan port 5/3-6 9/1-4 802.1x disable
```

Only mobile ports are eligible for 802.1X port-based access control. If enabled, the mobile port participates in the authentication and authorization process defined in the IEEE 802.1X standard and supported by Alcatel switches. For more information, see [Chapter 19, "Configuring 802.1X."](#)

Verifying VLAN Port Associations and Mobile Port Properties

To display a list of VLAN port assignments or the status of mobile port properties, use the show commands listed below:

show vlan port	Displays a list of VLAN port assignments, including the type and status for each assignment
show vlan port mobile	Displays the mobile status and current mobile parameter values for each port.

Understanding 'show vlan port' Output

Each line of the **show vlan port** command display corresponds to a single VLAN port association (VPA). In addition to showing the VLAN ID and slot/port number, the VPA type and current status of each association are also provided.

The VPA type indicates that one of the following methods was used to create the VPA:

Type	Description
default	The port was statically assigned to the VLAN using the vlan port default command. The VLAN is now the port's configured default VLAN.
qtagged	The port was statically assigned to the VLAN using the vlan 802.1q command. The VLAN is a static secondary VLAN for the 802.1Q tagged port.
mobile	The port is mobile and was dynamically assigned when traffic received on the port matched VLAN criteria (VLAN rules or tagged VLAN ID). The VLAN is a dynamic secondary VLAN assignment for the mobile port.
mirror	The port is assigned to the VLAN because it is configured to mirror another port that is assigned to the same VLAN. For more information about the Port Mirroring feature, see Chapter 24, "Diagnosing Switch Problems."

The VPA status indicates one of the following:

Status	Description
inactive	Port is not active (administratively disabled, down, or nothing connected to the port) for the VPA.
blocking	Port is active, but not forwarding traffic for the VPA.
forwarding	Port is forwarding all traffic for the VPA.
filtering	Mobile port traffic is filtered for the VPA; only traffic received on the port that matches VLAN rules is forwarded. Occurs when a mobile port's VLAN is administratively disabled or the port's default VLAN status is disabled. Does not apply to fixed ports.

The following example uses the **show vlan port** command to display VPA information for all ports in VLAN 200:

```
-> show vlan 200 port

  port      type      status
-----+-----+-----
   3/24    default   inactive
   5/11    mobile    forwarding
   5/12    qtagged   blocking
```

The above example output provides the following information:

- VLAN 200 is the configured default VLAN for port 3/24, which is currently not active.
- VLAN 200 is a secondary VLAN for mobile port 5/11, which is currently forwarding traffic for this VPA.
- VLAN 200 is an 802.1Q tagged VLAN for port 5/12, which is an active port but currently blocked from forwarding traffic.

Another example of the output for the **show vlan port** command is also given in [“Sample VLAN Port Assignment” on page 6-3](#). For more information about the resulting display from this command, see the *OmniSwitch CLI Reference Guide*.

Understanding ‘show vlan port mobile’ Output

The **show vlan port mobile** command provides information regarding a port’s mobile status. If the port is mobile, the resulting display also provides the current status of the port’s mobile properties. The following example displays mobile port status and property values for ports 8/2 through 8/5:

```
-> show vlan port mobile

      cfg                ignore
  port  mobile  def  authent  enabled  restore  bpdu
-----+-----+-----+-----+-----+-----+-----
   8/2   on    200   off     off     on       off
   8/3   on    200   off     on      off     off
   8/4   on    200  on-avlan off     on       off
   8/5   on    200  on-8021x on      off     off
```

Note that the **show vlan port mobile** command only displays ports that are mobile or are eligible to become mobile ports. For example, ports that are part of a link aggregate or are configured for 802.1Q VLAN tagging are not included in the output of this command.

Another example of the output for the **show vlan port mobile** command is also given in [“Sample VLAN Port Assignment” on page 6-3](#). For more information about the resulting display from this command, see the *OmniSwitch CLI Reference Guide*.

7 Defining VLAN Rules

VLAN rules are used to classify mobile port traffic for dynamic VLAN port assignment. Rules are defined by specifying a port, MAC address, protocol, network address, binding, or DHCP criteria to capture certain types of network device traffic. It is also possible to define multiple rules for the same VLAN. A mobile port is assigned to a VLAN if its traffic matches any one VLAN rule.

There is an additional method for dynamically assigning mobile ports to VLANs that involves enabling VLAN mobile tagging. This method is similar to defining rules in that the feature is enabled on the VLAN that is going to receive the mobile port tagged traffic. The difference, however, is that tagged packets received on mobile ports are classified by their 802.1Q VLAN ID tag and not by whether or not their source MAC, network address, or protocol type matches VLAN rule criteria.

In This Chapter

This chapter contains information and procedures for defining VLAN rules through the Command Line Interface (CLI). CLI commands are used in the configuration examples; for more details about the syntax of commands, see the *OmniSwitch CLI Reference Guide*. Refer to [Chapter 4, “Configuring VLANs,”](#) and [Chapter 6, “Assigning Ports to VLANs,”](#) for information about the VLAN mobile tagging feature.

Configuration procedures described in this chapter include:

- Defining DHCP rules on [page 7-11](#).
- Defining binding rules to restrict access to specific network devices on [page 7-13](#).
- Defining MAC address rules on [page 7-15](#).
- Defining IP and IPX network address rules on [page 7-16](#).
- Defining protocol rules on [page 7-18](#).
- Defining forwarding-only port rules on [page 7-19](#).
- Verifying the VLAN rule configuration on [page 7-23](#).

For information about creating and managing VLANs, see [Chapter 4, “Configuring VLANs.”](#)

For information about enabling port mobility and defining mobile port properties, see [Chapter 6, “Assigning Ports to VLANs.”](#)

VLAN Rules Specifications

IEEE Standards Supported	802.1Q– <i>Virtual Bridged Local Area Networks</i> 802.1v– <i>VLAN Classification by Protocol and Port</i> 802.1D– <i>Media Access Control Bridges</i>
Maximum number of VLANs per switch	1024
Maximum number of rules per VLAN	Unlimited
Maximum number of rules per switch	8129 of each rule type, except for a DHCP generic rule because only one is allowed per switch.
Switch ports eligible for VLAN rule classification (dynamic VLAN assignment)	Mobile 10/100 Ethernet and gigabit ports.
Switch ports not eligible for VLAN rule classification	Non-mobile (fixed) ports. Uplink/stack ports. 10 gigabit ports. 802.1Q tagged fixed ports. Link aggregate ports.
CLI Command Prefix Recognition	All VLAN management commands support prefix recognition. See the “Using the CLI” chapter in the <i>OmniSwitch 6800 Switch Management Guide</i> for more information.

VLAN Rules Defaults

Parameter Description	Command	Default
IP network address rule subnet mask	vlan ip	The IP address class range; Class A, B, or C.
IPX network address rule encapsulation	vlan ipx	Ethernet-II

Sample VLAN Rule Configuration

The following steps provide a quick tutorial that will create an IP network address and DHCP MAC range rule for VLAN 255, an IPX protocol rule for VLAN 355, and a MAC-IP-port binding rule for VLAN 1500. The remaining sections of this chapter provide further explanation of all VLAN rules and how they are defined.

- 1 Create VLAN 255 with a description (e.g., Finance IP Network) using the following command:

```
-> vlan 255 name "Finance IP Network"
```

- 2 Define an IP network address rule for VLAN 255 that will capture mobile port traffic containing a network 21.0.0.0 IP source address. For example:

```
-> vlan 255 ip 21.0.0.0
```

- 3 Define a DHCP MAC range rule for VLAN 255 that will capture mobile port DHCP traffic that contains a source MAC address that falls within the range specified by the rule. For example:

```
-> vlan 255 dhcp mac 00:DA:95:00:59:10 00:DA:95:00:59:9F
```

- 4 Define an IPX protocol rule for VLAN 355 that will capture mobile port traffic containing an IPX protocol type value. For example:

```
-> vlan 355 protocol ipx-e2
```

- 5 Define a MAC-IP-port binding rule that restricts assignment to VLAN 1500 to traffic received on mobile port 3/10 containing a MAC address of 00:DA:95:00:CE:3F and an IP address of 21.0.0.43. For example:

```
-> vlan 1500 binding mac-ip-port 00:da:95:00:ce:3f 21.0.0.43 3/10
```

Note. *Optional.* To verify that the rules in this tutorial were defined for VLANs 255, 355, and 1500, enter **show vlan rules**. For example:

```
-> show vlan rules
```

Legend: type: * = binding rule

type	vlan	rule
ip-net	255	21.0.0.0, 255.0.0.0
protocol	355	ipx-e2
mac-ip-port*	1500	00:da:95:00:ce:3f, 21.0.0.43, 3/10
dhcp-mac-range	255	00:da:95:00:59:10, 00:da:95:00:59:9f

VLAN Rules Overview

The mobile port feature available on the switch allows dynamic VLAN port assignment based on VLAN rules that are applied to mobile port traffic. When a port is defined as a mobile port, switch software compares traffic coming in on that port with configured VLAN rules. If any of the mobile port traffic matches any of the VLAN rules, the port and the matching traffic become a member of that VLAN.

VLANs do not have a mobile or non-mobile distinction and there is no overall switch setting to invoke the mobile port feature. Instead, mobility is enabled on individual switch ports and rules are defined for individual VLANs to capture mobile port traffic. Refer to [Chapter 6, “Assigning Ports to VLANs,”](#) for more information about using mobile ports and dynamic VLAN port assignments.

It is possible to define multiple rules for one VLAN and rules for multiple VLANs. However, only IP and IPX protocol rules support the dynamic assignment of one mobile port to multiple VLANs. All other rule types classify a mobile port into one VLAN, even if the port receives traffic that matches other rules.

VLAN Rule Types

There are several types of configurable VLAN rules available for classifying different types of network device traffic. There is no limit to the number of rules allowed per VLAN and up to 8,129 of each rule type is allowed per switch. See [“Configuring VLAN Rule Definitions” on page 7-10](#) for instructions on how to create a VLAN rule.

The type of rule defined determines the type of traffic that will trigger a dynamic port assignment to the VLAN and the type of traffic the VLAN will forward within its domain. Refer to the following sections (listed in the order of rule precedence) for a description of each type of VLAN rule:

Rule	See
DHCP MAC Address DHCP MAC Range DHCP Port DHCP Generic	“DHCP Rules” on page 7-4
MAC-Port-IP Address Binding MAC-Port Binding Port-Protocol Binding	“Binding Rules” on page 7-6
MAC Address MAC Address Range	“MAC Address Rules” on page 7-6
Network Address	“Network Address Rules” on page 7-6
Protocol	“Protocol Rules” on page 7-6
Port	“Port Rules” on page 7-7

Use the [show vlan rules](#) command to display a list of rules already configured on the switch. For more information about this command, refer to the *OmniSwitch CLI Reference Guide*.

DHCP Rules

Dynamic Host Configuration Protocol (DHCP) frames are sent from client workstations to request an IP address from a DHCP server. The server responds with the same type of frames, which contain an IP address for the client. If clients are connected to mobile ports, DHCP rules are used to classify this type of traffic for the purposes of transmitting and receiving DHCP frames to and from the server.

When a mobile port receives a DHCP frame that matches a DHCP rule, the port is temporarily assigned to the VLAN long enough to forward the DHCP requests within the VLAN broadcast domain. The source MAC address of the DHCP frame, however, is not learned for that VLAN port association. As a result, the **show mac-address-table** command output will not contain an entry for the DHCP source MAC address. The **show vlan port** command output, however, will contain an entry for the temporary VLAN port association that occurs during this process.

Once a device connected to a mobile port receives an IP address from the DHCP server, the VLAN port assignment triggered by the device's DHCP frames matching a VLAN DHCP rule is dropped unless regular port traffic matches another rule on that same VLAN. If this match occurs, or the traffic matches a rule on another VLAN, then the source MAC address of the mobile port's frames is learned for that VLAN port association.

DHCP rules are most often used in combination with IP network address rules. A DHCP client has an IP address of all zeros (0.0.0.0) until it receives an IP address from a DHCP server, so initially it would not match any IP network address rules.

Binding rules, MAC address rules, and protocol rules also capture DHCP client traffic. The exception to this is binding rules that specify an IP address as part of the rule, similar to IP network address rule definitions.

The following DHCP rule types are available:

- DHCP MAC Address
- DHCP MAC Range
- DHCP Port
- DHCP Generic

Binding Rules

Binding rules restrict VLAN assignment to specific devices by requiring that device traffic match all criteria specified in the rule. As a result, a separate binding rule is required for each device. An unlimited number of such rules, however, is allowed per VLAN and up to 8129 of each rule type is allowed per switch. Although DHCP traffic is examined and processed first by switch software, binding rules take precedence over all other rules.

The following binding rule types are available. The rule type name indicates the criteria the rule uses to determine if device traffic qualifies for VLAN assignment. For example, the MAC-Port-IP address binding rule requires a matching source MAC and IP address in frames received from a device connected to the port specified in the rule.

- MAC-Port-IP Address
- MAC-Port
- Port-Protocol

Note that MAC-port-IP and MAC-port binding rules are also supported on Authenticated VLANs (AVLANs). See [“Configuring VLAN Rule Definitions” on page 7-10](#) and [Chapter 18, “Configuring Authenticated VLANs,”](#) for more information.

MAC Address Rules

MAC address rules determine VLAN assignment based on a device’s source MAC address. This is the simplest type of rule and provides the maximum degree of control and security. Members of the VLAN will consist of devices with specific MAC addresses. In addition, once a device joins a MAC address rule VLAN, it is not eligible to join multiple VLANs even if device traffic matches other VLAN rules.

MAC address rules also capture DHCP traffic, if no other DHCP rule exists that would classify the DHCP traffic into another VLAN. Therefore, it is not necessary to combine DHCP rules with MAC address rules for the same VLAN.

Network Address Rules

There are two types of network address rules: IP and IPX. An IP network address rule determines VLAN mobile port assignment based on a device’s source IP address. An IPX network address rule determines VLAN mobile port assignment based on a device’s IPX network and encapsulation.

Protocol Rules

Protocol rules determine VLAN assignment based on the protocol a device uses to communicate. When defining this type of rule, there are several generic protocol values to select from: IP, IPX, AppleTalk, or DECNet. If none of these are sufficient, it is possible to specify an Ethernet type, Destination and Source Service Access Protocol (DSAP/SSAP) header values, or a Sub-network Access Protocol (SNAP) type.

Note that specifying a SNAP protocol type restricts classification of mobile port traffic to the ethertype value found in the IEEE 802.2 SNAP LLC frame header.

IP protocol rules also capture DHCP traffic, if no other DHCP rule exists that would classify the DHCP traffic into another VLAN. Therefore, it is not necessary to combine DHCP rules with IP protocol rules for the same VLAN.

Port Rules

Port rules are fundamentally different from all other supported rule types, in that traffic is not required to trigger dynamic assignment of the mobile port to a VLAN. As soon as this type of rule is created, the specified port is assigned to the VLAN only for the purpose of forwarding broadcast types of VLAN traffic to a device connected to that same port.

Port rules are mostly used for silent devices, such as printers, that require VLAN membership to receive traffic forwarded from the VLAN. These devices usually don't send traffic, so they do not trigger dynamic assignment of their mobile ports to a VLAN.

It is also possible to specify the same port in more than one port rule defined for different VLANs. The advantage to this is that traffic from multiple VLANs is forwarded out the one mobile port to the silent device. For example, if port 3 on slot 2 is specified in a port rule defined for VLANs 255, 355, and 755, then outgoing traffic from all three of these VLANs is forwarded on port 2/3.

Port rules only apply to outgoing mobile port traffic and do not classify incoming traffic. If a mobile port is specified in a port rule, its incoming traffic is still classified for VLAN assignment in the same manner as all other mobile port traffic.

VLAN assignments that are defined using port rules are exempt from the port's default VLAN restore status. See [Chapter 6, "Assigning Ports to VLANs,"](#) for more information regarding a port's default VLAN restore status and other mobile port properties.

Understanding VLAN Rule Precedence

In addition to configurable VLAN rule types, there are two internal rule types for processing mobile port frames. One is referred to as *frame type* and is used to identify Dynamic Host Configuration Protocol (DHCP) frames. The second internal rule is referred to as *default* and identifies frames that do not match any VLAN rules.

Note. Another type of mobile traffic classification, referred to as VLAN mobile tagging, takes precedence over all VLAN rules. If a mobile port receives an 802.1Q packet that contains a VLAN ID tag that matches a VLAN that has mobile tagging enabled, the port and its traffic are assigned to this VLAN, even if the traffic matches a rule defined on any other VLAN. See [Chapter 6, “Assigning Ports to VLANs,”](#) for more information about VLAN mobile tag classification.

The VLAN rule precedence table on [page 7-9](#) provides a list of all VLAN rules, including the two internal rules mentioned above, in the order of precedence that switch software applies to classify mobile port frames. The first column lists the rule type names, the second and third columns describe how the switch handles frames that match or don't match rule criteria. The higher the rule is in the list, the higher its level of precedence.

When a frame is received on a mobile port, switch software starts with rule one in the rule precedence table and progresses down the list until there is a successful match between rule criteria and frame contents. The exception to this is if there is a binding rule violation. In this case, the frame is blocked and its source port is not assigned to the rule's VLAN.

Each binding rule type contains multiple parameters that are used to determine if a mobile port frame qualifies for assignment to the binding rule VLAN, violates one of the binding rule parameter values, or is simply allowed on the port but not assigned to the binding rule VLAN. For example, as indicated in the rule precedence table, a mobile port frame is compared to binding MAC-port rule criteria and processed as follows:

- If the frame's source MAC address matches the rule's MAC address, then the frame's port must also match the rule's port to qualify for assignment to the rule's VLAN.
- If the frame's source MAC matches but the frame's port does *not* match, then a violation occurs and the frame is blocked and the port is not assigned to the rule's VLAN. There is no further attempt to match this frame to rules of lower precedence.
- If the frame's source MAC does not match but the frame's port does match, the frame is allowed but the port is not assigned to the rule's VLAN. The frame is then compared to other rules of lower precedence in the table or carried on the mobile port's default VLAN if the frame does not match any other VLAN rules and the mobile port's default VLAN is enabled.

In the above example, the MAC address parameter defines a *critical* match value for the binding rule. The port parameter defines a *non-critical* match value for the binding rule. When a critical match occurs, the contents of a frame must also match all other parameter values or the frame is dropped. If a non-critical match occurs, the frame is still processed even if it does not match all other parameters.

Precedence Step/Rule Type	Condition	Result
1. Frame Type	Frame is a DHCP frame.	Go to Step 2.
	Frame is not a DHCP frame.	Skip Steps 2, 3, 4, and 5.
2. DHCP MAC	DHCP frame contains a matching source MAC address.	Frame source is assigned to the rule's VLAN, but not learned.
3. DHCP MAC Range	DHCP frame contains a source MAC address that falls within a specified range of MAC addresses.	Frame source is assigned to the rule's VLAN, but not learned.
4. DHCP Port	DHCP frame matches the port specified in the rule.	Frame source is assigned to the rule's VLAN, but not learned.
5. DHCP Generic	DHCP frame.	Frame source is assigned to the rule's VLAN, but not learned.
6. MAC-Port-IP Address Binding	Frame contains a matching source MAC address, source port, and source IP subnet address.	Frame source is assigned to the rule's VLAN.
	Frame only contains a matching source MAC address; port and IP address do not match.	Frame is blocked; its source is not assigned to the rule's VLAN.
	Frame only contains a matching IP address; source MAC and port do not match.	Frame is blocked; its source is not assigned to the rule's VLAN.
	Frame only contains a matching port; source MAC and IP address do not match.	Frame is allowed; its source is not assigned to the rule's VLAN.
7. MAC-Port Binding	Frame contains a matching source MAC address and source port.	Frame source is assigned to the rule's VLAN.
	Frame only contains a matching source MAC address; port does not match.	Frame is blocked; its source is not assigned to the rule's VLAN.
	Frame only contains a matching port; source MAC address does not match.	Frame is allowed; its source is not assigned to the rule's VLAN.
11. Port-Protocol Binding (See note below regarding IP Network Address and Port-Protocol Binding rule precedence.)	Frame contains a matching source port and protocol.	Frame source is assigned to the rule's VLAN.
	Frame only contains a matching source port; protocol does not match.	Frame is blocked; its source is not assigned to the rule's VLAN.
	Frame only contains a matching protocol; port does not match.	Frame is allowed; its source is not assigned to the rule's VLAN.

Precedence Step/Rule Type	Condition	Result
8. MAC Address	Frames contain a matching source MAC address.	Frame source is assigned to the rule's VLAN.
9. MAC Range	Frame contains a source MAC address that falls within a specified range of MAC addresses.	Frame source is assigned to the rule's VLAN.
10. Network Address (See note below regarding IP Network Address and Port-Protocol Binding rule precedence.)	Frame contains a matching IP subnet address, or Frame contains a matching IPX network address.	Frame source is assigned to the rule's VLAN.
15. Protocol	Frame contains a matching protocol type.	Frame source is assigned to the rule's VLAN.
16. Default	Frame does not match any rules.	Frame source is assigned to mobile port's default VLAN.

Note. If the contents of a mobile port frame matches the values specified in both an IP network address rule and a port-protocol binding rule, the IP network address rule takes precedence. However, if the contents of such frame violates the port-protocol binding rule, the frame is dropped.

Configuring VLAN Rule Definitions

Note the following when configuring rules for a VLAN:

- The VLAN must already exist. Use the **vlan** command to create a new VLAN or the **show vlan** command to verify a VLAN is already configured. Refer to [Chapter 4, “Configuring VLANs,”](#) for more information.
- Which type of rule is needed; DHCP, binding, MAC address, protocol, network address, or port. Refer to [“VLAN Rule Types” on page 7-4](#) for a summary of rule type definitions.
- IP network address rules are applied to traffic received on both mobile *and* fixed ports. If traffic contains a source IP address that is included in the subnet specified by the rule, the traffic is dropped. This does not occur, however, if the IP network address rule is configured on the default VLAN for the fixed port.
- If mobile port traffic matches rules defined for more than one VLAN, the mobile port is dynamically assigned to the VLAN with the higher precedence rule. Refer to [“Understanding VLAN Rule Precedence” on page 7-8](#) for more information.
- It is possible to define multiple rules for the same VLAN, as long as each rule is different. If mobile port traffic matches only one of the rules, the port and traffic are dynamically assigned to that VLAN.
- There is no limit to the number of rules defined for a single VLAN and up to 8129 rules are allowed per switch.
- It is possible to create a protocol rule based on Ether type, SNAP type, or DSAP/SSAP values. However, using predefined rules (such as MAC address, network address, and generic protocol rules) is recommended to ensure accurate results when capturing mobile port traffic.

- When an active device is disconnected from a mobile port and connected to a fixed port, the source MAC address of that device is not learned on the fixed port until the MAC address has aged out and no longer appears on the mobile port.
- When a VLAN is administratively disabled, static port and dynamic mobile port assignments are retained but traffic on these ports is not forwarded. However, VLAN rules remain active and continue to classify mobile port traffic for VLAN membership.
- When a VLAN is deleted from the switch configuration, all rules defined for that VLAN are automatically removed and any static or dynamic port assignments are dropped.
- It is possible to define MAC-port-IP and MAC-port binding rules for Authenticated VLANs (AVLANs). However, these rules are not active until the **avlan port-bound** command is issued for the AVLAN. Note that these rules only apply to traffic received on authenticated ports. See [Chapter 18, “Configuring Authenticated VLANs,”](#) for more information.

Refer to the following sections (listed in the order of rule precedence) for instructions on how to define each type of VLAN rule:

Rule	See
DHCP MAC Address	“Defining DHCP MAC Address Rules” on page 7-11
DHCP MAC Range	“Defining DHCP MAC Range Rules” on page 7-12
DHCP Port	“Defining DHCP Port Rules” on page 7-12
DHCP Generic	“Defining DHCP Generic Rules” on page 7-13
MAC-Port-IP Address Binding MAC-Port Binding Port-Protocol Binding	“Defining Binding Rules” on page 7-13
MAC Address	“Defining MAC Address Rules” on page 7-15
MAC Address Range	“Defining MAC Range Rules” on page 7-16
Network Address	“Defining IP Network Address Rules” on page 7-16 and “Defining IPX Network Address Rules” on page 7-17
Protocol	“Defining Protocol Rules” on page 7-18
Port	“Defining Port Rules” on page 7-19

To display a list of VLAN rules already configured on the switch, use the **show vlan rules** command. For more information about this command, refer to the *OmniSwitch CLI Reference Guide*.

Defining DHCP MAC Address Rules

DHCP MAC address rules capture DHCP frames that contain a source MAC address that matches the MAC address specified in the rule. See [“Application Example: DHCP Rules” on page 7-20](#) for an example of how DHCP port rules are used in a typical network configuration.

To define a DHCP MAC address rule, enter **vlan** followed by an existing VLAN ID then **dhcp mac** followed by a valid MAC address. For example, the following command defines a DHCP MAC address rule for VLAN 255:

```
-> vlan 255 dhcp mac 00:00:da:59:0c:11
```

Only one MAC address is specified when using the **vlan dhcp mac** command to create a DHCP MAC rule. Therefore, to specify multiple MAC addresses for the same VLAN, create a DHCP MAC rule for each address. If dealing with a large number of MAC addresses in sequential order, consider using a DHCP MAC range rule described in the next section.

Use the **no** form of the **vlan dhcp mac** command to remove a DHCP MAC address rule.

```
-> vlan 255 no dhcp mac 00:00:da:59:0c:11
```

Defining DHCP MAC Range Rules

A DHCP MAC range rule is similar to a DHCP MAC address rule, but allows the user to specify a range of MAC addresses. This is useful when it is necessary to define rules for a large number of sequential MAC addresses. One DHCP MAC range rule could serve the same purpose as 10 or 20 DHCP MAC address rules, requiring less work to configure.

DHCP frames that contain a source MAC address that matches the low or high end MAC or that falls within the range specified by the low and high end MAC trigger dynamic port assignment to the rule's VLAN. To define a DHCP MAC range rule, enter **vlan** followed by an existing VLAN ID then **dhcp mac range** followed by valid low and high end MAC addresses. For example, the following command creates a DHCP MAC range rule for VLAN 1100:

```
-> vlan 1100 dhcp mac range 00:00:da:00:00:01 00:00:da:00:00:09
```

Only valid source MAC addresses are allowed for the low and high end boundary MACs. For example, multicast addresses (e.g., 01:00:00:c5:09:1a) are ignored even if they fall within a specified MAC range and are not allowed as the low or high end boundary MAC. If an attempt is made to use a multicast address for one of the boundary MACs, an error message is displayed and the rule is not created.

Use the **no** form of the **vlan dhcp mac range** command to remove a DHCP MAC range rule. Note that it is only necessary to enter the low end MAC address to identify which rule to remove.

```
-> vlan 1000 no dhcp mac range 00:00:da:00:00:01
```

Defining DHCP Port Rules

DHCP port rules capture DHCP frames that are received on a mobile port that matches the port specified in the rule. See [“Application Example: DHCP Rules” on page 7-20](#) for an example of how DHCP port rules are used in a typical network configuration.

To define a DHCP port rule, enter **vlan** followed by an existing VLAN ID then **dhcp port** followed by a slot/port designation. For example, the following command defines a DHCP port rule for VLAN 255:

```
-> vlan 255 dhcp port 2/3
```

To specify multiple ports and/or slots, use a hyphen to specify a range of ports and a space to specify multiple slots. For example,

```
-> vlan 255 dhcp port 4/1-5 5/12-20 6/10-15
```

Use the **no** form of the **vlan dhcp port** command to remove a DHCP port rule.

```
-> vlan 255 no dhcp port 2/10-12 3/1-5 6/1-9
```


Defining DHCP Generic Rules

DHCP generic rules capture all DHCP traffic that does not match an existing DHCP MAC or DHCP port rule. If none of these other rules exist, then all DHCP frames are captured regardless of the port they came in on or the frame's source MAC address. Only one rule of this type is allowed per switch.

To define a DHCP generic rule, enter **vlan** followed by an existing VLAN ID then **dhcp generic**. For example,

```
-> vlan 255 dhcp generic
```

Use the **no** form of the **vlan dhcp generic** command to remove a DHCP generic rule.

```
-> vlan 255 no dhcp generic
```

Defining Binding Rules

Binding rules require mobile port traffic to match all rule criteria. The criteria consists of one of three combinations, each of which is a specific binding rule type:

- 1** The device must attach to a specific switch port *and* use a specific MAC address *and* use a specific IP network address (MAC-port-IP address binding rule).
- 2** The device must use a specific port *and* a specific source MAC address (MAC-port binding rule).
- 3** The device must attach to a specific switch port *and* use a specific protocol (port-protocol binding rule).

If frames do not contain matching criteria, they are compared against other existing VLAN rules of lower precedence. However, if a frame violates criteria of any one binding rule, it is discarded. Refer to [“Understanding VLAN Rule Precedence” on page 7-8](#) for more information.

Note that MAC-port-IP and MAC-port binding rules are also supported on Authenticated VLANs (AVLANs). See [Chapter 18, “Configuring Authenticated VLANs,”](#) for more information.

The following subsections provide information about how to define each of the binding rule types.

How to Define a MAC-Port-IP Address Binding Rule

To define a MAC-port-IP address binding rule, enter **vlan** followed by an existing VLAN ID then **binding mac-ip-port** followed by a valid MAC address, IP address, and a **slot/port** designation. For example, the following command defines a MAC-port-IP binding rule for VLAN 255:

```
-> vlan 255 binding mac-ip-port 00:00:da:59:0c:12 21.0.0.10 2/3
```

In this example, frames received on mobile port 2/3 must contain a source MAC address of 00:00:da:59:0c:12 and a source IP address of 21.0.0.10 to qualify for dynamic assignment to VLAN 255.

Use the **no** form of the **vlan binding mac-ip-port** command to remove a MAC-port-IP binding rule. Note that it is only necessary to enter the rule's MAC address parameter value to identify which rule to remove.

```
-> vlan 255 no binding mac-ip-port 00:00:da:59:0c:12
```

Note that this binding rule type is also supported on AVLANS. See [Chapter 18, "Configuring Authenticated VLANs,"](#) for more information.

How to Define a MAC-Port Binding Rule

To define a MAC-port binding rule, enter **vlan** followed by an existing VLAN ID then **binding mac-port** followed by a valid MAC address and a **slot/port** designation. For example, the following command defines a MAC-port binding rule for VLAN 1500:

```
-> vlan 1500 binding mac-port 00:02:9a:3e:f1:06 6/10
```

In this example, frames received on mobile port 6/10 must contain a source MAC address of 00:02:9a:3e:f1:06 to qualify for dynamic assignment to VLAN 1500.

Use the **no** form of the **vlan binding mac-port** command to remove a MAC-port binding rule. Note that it is only necessary to enter the rule's MAC address parameter value to identify which rule to remove.

```
-> vlan 1500 no binding mac-port 00:02:9a:3e:f1:06
```

Note that this binding rule type is also supported on AVLANS. See [Chapter 18, "Configuring Authenticated VLANs,"](#) for more information.

How to Define a Port-Protocol Binding Rule

To define a port-protocol binding rule, enter **vlan** followed by an existing VLAN ID then **binding port-protocol** followed by a valid MAC address, a **slot/port** designation and a protocol type. For example, the following commands define a port-protocol binding rule for VLAN 1503 and VLAN 1504:

```
-> vlan 1503 binding port-protocol 3/1 ip-snap  
-> vlan 1504 binding port-protocol 4/1 dsapssap F0/F0
```

The first example command specifies that frames received on mobile port 3/1 must contain an IP SNAP protocol type to qualify for dynamic assignment to VLAN 1503. The second command specifies that frames received on mobile port 4/1 must contain a DSAP/SSAP protocol value of F0/F0 to qualify for dynamic assignment to VLAN 1504.

The following table lists command keywords for specifying a protocol type:

protocol type keywords	
ip-e2	decnet
ip-snap	appletalk
ipx-e2	ethertype
ipx-novell	dsapssap
ipx-llc	snap
ipx-snap	

Note that specifying a SNAP protocol type restricts classification of mobile port traffic to the ethertype value found in the IEEE 802.2 SNAP LLC frame header.

Use the **no** form of the **vlan binding port-protocol** command to remove a port-protocol binding rule.

```
-> vlan 255 no binding port-protocol 8/12 ethertype 0600
```

Defining MAC Address Rules

MAC address rules capture frames that contain a source MAC address that matches the MAC address specified in the rule. The mobile port that receives the matching traffic is dynamically assigned to the rule's VLAN. Using MAC address rules, however, limits dynamic port assignment to a single VLAN. A mobile port can only belong to one MAC address rule VLAN, even if it sends traffic that matches rules defined for other VLANs.

For example, if VLAN 10 has a MAC address rule defined for 00:00:2a:59:0c:f1 and VLAN 20 has an IP protocol rule defined, mobile port 4/2 sending IP traffic with a source MAC address of 00:00:2a:59:0c:f1 is only assigned to VLAN 10. All mobile port 4/2 traffic is forwarded on VLAN 10, even though its traffic also matches the VLAN 20 IP protocol rule.

To define a MAC address rule, enter **vlan** followed by an existing VLAN ID then **mac** followed by a valid MAC address. For example, the following command defines a MAC address rule for VLAN 255:

```
-> vlan 255 mac 00:00:da:59:0c:11
```

Only one MAC address is specified when using the **vlan mac** command to create a MAC address rule. Therefore, to specify multiple MAC addresses for the same VLAN, create a separate rule for each address. If dealing with a large number of MAC addresses, consider using MAC address range rules described in the next section.

Use the **no** form of the **vlan mac** command to remove a MAC address rule.

```
-> vlan 255 no mac 00:00:da:59:0c:11
```

Defining MAC Range Rules

A MAC range rule is similar to a MAC address rule, but allows the user to specify a range of MAC addresses. This is useful when it is necessary to define rules for a large number of sequential MAC addresses. One MAC range rule could serve the same purpose as 10 or 20 MAC address rules, requiring less work to configure.

Frames that contain a source MAC address that matches the low or high end MAC or that falls within the range specified by the low and high end MAC trigger dynamic port assignment to the rule's VLAN. As is the case with MAC address rules, dynamic port assignment is limited to a single VLAN. A mobile port can only belong to one MAC range rule VLAN, even if it sends traffic that matches rules defined for other VLANs.

To define a MAC range rule, enter **vlan** followed by an existing VLAN ID then **mac range** followed by valid low and high end MAC addresses. For example, the following command creates a MAC range rule for VLAN 1000:

```
-> vlan 1000 mac range 00:00:da:00:00:01 00:00:da:00:00:09
```

Only valid source MAC addresses are allowed for the low and high end boundary MACs. For example, multicast addresses (e.g., 01:00:00:c5:09:1a) are ignored even if they fall within a specified MAC range and are not allowed as the low or high end boundary MAC. If an attempt is made to use a multicast address for one of the boundary MACs, an error message is displayed and the rule is not created.

Use the **no** form of the **vlan mac range** command to remove a MAC range rule. Note that it is only necessary to enter the low end MAC address to identify which rule to remove.

```
-> vlan 1000 no mac range 00:00:da:00:00:01
```

Defining IP Network Address Rules

IP network address rules capture frames that contain a source IP subnet address that matches the IP subnet address specified in the rule. If DHCP is used to provide client workstations with an IP address, consider using one of the DHCP rules in combination with an IP network address rule. See [“Application Example: DHCP Rules” on page 7-20](#) for an example of how IP network address and DHCP rules are used in a typical network configuration.

Note. IP network address rules are applied to traffic received on both mobile *and* fixed (non-mobile) ports. As a result, fixed port traffic that contains an IP address that is included in the IP subnet specified by the rule is dropped. However, if the IP network address rule VLAN is also the default VLAN for the fixed port, then the fixed port traffic is forwarded and not dropped.

To define an IP network address rule, enter **vlan** followed by an existing VLAN ID then **ip** followed by a valid IP network address and an optional subnet mask. For example, the following command creates an IP network address rule for VLAN 1200:

```
-> vlan 1200 ip 31.0.0.0 255.0.0.0
```

In this example, frames received on any mobile port must contain a network 31.0.0.0 source IP address (e.g., 31.0.0.10, 31.0.0.4) to qualify for dynamic assignment to VLAN 1200.

If a subnet mask is not specified, the default class for the IP address is used (Class A, B, or C). For example, either one of the following commands will create an IP network address rule for network 134.10.0.0:

```
-> vlan 1200 ip 134.10.0.0 255.255.0.0
-> vlan 1200 ip 134.10.0.0
```

The pool of available internet IP addresses is divided up into three classes, as shown in the following table. Each class includes a range of IP addresses. The range an IP network address belongs to determines the default class for the IP network when a subnet mask is not specified.

Network Range	Class
1.0.0.0 - 126.0.0.0	A
128.1.0.0 - 191.254.0.0	B
192.0.1.0 - 223.255.254.0	C

Use the **no** form of the **vlan ip** command to remove an IP network address rule.

```
-> vlan 1200 no ip 134.10.0.0
```

Defining IPX Network Address Rules

IPX network address rules capture frames that contain an IPX network address and encapsulation that matches the IPX network and encapsulation specified in the rule. This rule only applies to devices that already have an IPX network address assigned.

To define an IPX network address rule, enter **vlan** followed by an existing VLAN ID then **ipx** followed by a valid IPX network number and an optional encapsulation parameter value. For example, the following command creates an IPX network address rule for VLAN 1200:

```
-> vlan 1200 ipx a010590c novell
```

In this example, frames received on any mobile port must contain an IPX network a010590c address with a Novell Raw (802.3) encapsulation to qualify for dynamic assignment to VLAN 1200.

IPX network addresses consist of eight hex digits. If an address less than eight digits is entered, the entry is prefixed with zeros to equal eight characters. For example, the following command results in an IPX network address rule for network 0000250b:

```
-> vlan 1210 ipx 250b snap
```

If an encapsulation parameter value is not specified, this value defaults to Ethernet-II encapsulation. For example, either one of the following commands creates the same IPX network address rule:

```
-> vlan 1220 ipx 250c e2
-> vlan 1220 ipx 250c
```

If the IPX network address rule VLAN is going to route IPX traffic, it is important to specify a rule encapsulation that matches the IPX router port encapsulation. If there is a mismatch, connectivity with other IPX devices may not occur. See [Chapter 4, “Configuring VLANs,”](#) for information about defining VLAN IPX router ports.

The following table lists keywords for specifying an encapsulation value:

IPX encapsulation keywords

e2 or ethernet2	snap
llc	novell

Use the **no** form of the **vlan ipx** command to remove an IPX network address rule. Note that it is only necessary to specify the IPX network address to identify which rule to remove:

```
-> vlan 1220 no ipx 250c
```

Defining Protocol Rules

Protocol rules capture frames that contain a protocol type that matches the protocol value specified in the rule. There are several generic protocol parameter values to select from; IP Ethernet-II, IP SNAP, IPX Ethernet II, IPX Novell (802.3), IPX LLC (802.2), IPX SNAP, DECNet, and Appletalk. If none of these are sufficient to capture the desired type of traffic, use the Ethertype, DSAP/SSAP, or SNAP parameters to define a more specific protocol type value.

To define a protocol rule, enter **vlan** followed by an existing VLAN ID then **protocol** followed by a valid protocol parameter value. For example, the following commands define a protocol rule for VLAN 1503 and VLAN 1504:

```
-> vlan 1503 protocol ip-snap
-> vlan 1504 protocol dsapssap f0/f0
```

The first example command specifies that frames received on any mobile port must contain an IP SNAP protocol type to qualify for dynamic assignment to VLAN 1503. The second command specifies that frames received on any mobile port must contain a DSAP/SSAP protocol value of f0/f0 to qualify for dynamic assignment to VLAN 1504.

If an attempt is made to define an Ethertype rule with a protocol type value that is equal to the value already captured by one of the generic IP or IPX protocol rules, a message displays recommending the use of the IP or IPX generic rule. The following example shows what happens when an attempt is made to create a protocol rule with an Ethertype value of 0800 (IP Ethertype):

```
-> vlan 200 protocol ethertype 0800
ERROR: Part of ip ethernet protocol class - use <vlan # protocol ip-e2> instead
```

The following table lists keywords for specifying a protocol type:

protocol type keywords

ip-e2	decnet
ip-snap	appletalk
ipx-e2	ethertype
ipx-novell	dsapssap
ipx-llc	snap
ipx-snap	

Note that specifying a SNAP protocol type restricts classification of mobile port traffic to the ethertype value found in the IEEE 802.2 SNAP LLC frame header.

Use the **no** form of the **vlan protocol** command to remove a protocol rule.

```
-> vlan 1504 no protocol dsapssap f0/f0
```

Defining Port Rules

Port rules do not require mobile port traffic to trigger dynamic assignment. When this type of rule is defined, the specified mobile port is immediately assigned to the specified VLAN. As a result, port rules are often used for silent network devices, which do not trigger dynamic assignment because they do not send traffic.

Port rules only apply to outgoing mobile port broadcast types of traffic and do not classify incoming traffic. In addition, multiple VLANs can have the same port rule defined. The advantage to this is that broadcast traffic from multiple VLANs is forwarded out one physical mobile port. When a mobile port is specified in a port rule, however, its incoming traffic is still classified for VLAN assignment in the same manner as all other mobile port traffic.

To define a port rule, enter **vlan** followed by an existing VLAN ID then **port** followed by a mobile **slot/port** designation. For example, the following command creates a port rule for VLAN 755:

```
-> vlan 755 port 2/3
```

In this example, all traffic on VLAN 755 is flooded out mobile port 2 on slot 3.

Note that it is possible to define a port rule for a non-mobile (fixed, untagged) port, however, the rule is not active until mobility is enabled on the port.

Use the no form of the **vlan port** command to remove a port rule.

```
-> vlan 755 no port 2/3
```

Application Example: DHCP Rules

This application example shows how Dynamic Host Configuration Protocol (DHCP) port and MAC address rules are used in a DHCP-based network. DHCP is built on a client-server model in which a designated DHCP server allocates network addresses and delivers configuration parameters to dynamically configured clients.

Since DHCP clients initially have no IP address, assignment of these clients to a VLAN presents a problem. The switch determines VLAN membership by looking at traffic from source devices. Since the first traffic transmitted from a source DHCP client does not contain the actual address for the client (because the server has not allocated the address yet), the client may not have the same VLAN assignment as its server.

Before the introduction of DHCP port and MAC address rules, various strategies were deployed to use DHCP with VLANs. Typically these strategies involved IP protocol and network address rules along with DHCP Relay functionality. These solutions required the grouping of all DHCP clients in a particular VLAN through a common IP policy.

DHCP port and MAC address rules simplify the configuration of DHCP networks. Instead of relying on IP-based rules to group all DHCP clients in the same network as a DHCP server, you can manually place each individual DHCP client in the VLAN or mobile group of your choice.

The VLANs

This application example contains three (3) VLANs. These VLANs are called Test, Production, and Branch. The Test VLAN connects to the main network, the Production VLAN, through an external router. The configuration of this VLAN is self-contained, making it easy to duplicate for testing purposes. The Test VLAN contains its own DHCP server and DHCP clients. The clients gain membership to the VLAN through DHCP port rules.

The Production VLAN carries most of the traffic in this network. It does not contain a DHCP server, but does contain DHCP clients that gain membership through DHCP port rules. Two external routers connect this VLAN to the Test VLAN and a Branch VLAN. One of the external routers—the one connected to the Branch VLAN—has DHCP Relay functionality enabled. It is through this router that the DHCP clients in the Production VLAN access the DHCP server in the Branch VLAN.

The Branch VLAN contains a number of DHCP client stations and its own DHCP server. The DHCP clients gain membership to the VLAN through both DHCP port and MAC address rules. The DHCP server allocates IP addresses to all Branch and Production VLAN clients.

DHCP Servers and Clients

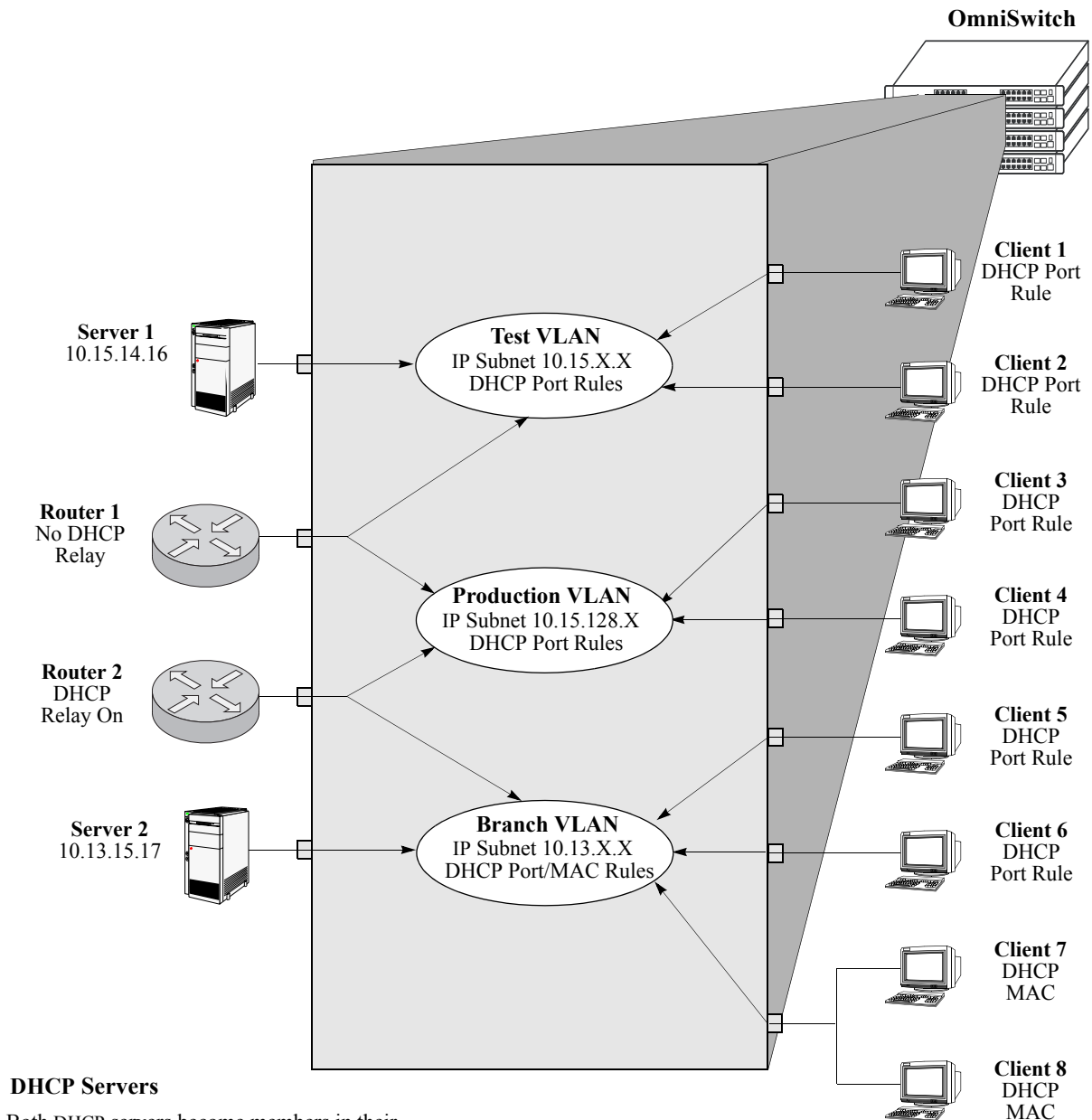
DHCP clients must communicate with a DHCP server at initialization. The most reliable way to ensure this communication is for the server and its associated clients to share the same VLAN. However, if the network configuration does not lend itself to this solution (as the Production VLAN does not in this application example), then the server and clients can communicate through a router with DHCP Relay enabled.

The DHCP servers and clients in this example are either in the same VLAN or are connected through a router with DHCP Relay. All clients in the Test VLAN receive IP addresses from the server in their VLAN (Server 1). Likewise, all clients in the Branch VLAN receive IP addresses from their local server (Server 2). The DHCP clients in the Production VLAN do not have a local DHCP server, so they must rely on the DHCP Relay functionality in external Router 2 to obtain their IP addresses from the DHCP server in the Branch VLAN.

Both DHCP servers are assigned to their VLANs through IP network address rules.

The following table summarizes the VLAN architecture and rules for all devices in this network configuration. The diagram on the following page illustrates this network configuration.

Device	VLAN Membership	Rule Used/Router Role
DHCP Server 1	Test VLAN	IP network address rule=10.15.0.0
DHCP Server 2	Branch VLAN	IP network address rule=10.13.0.0
External Router 1	Test VLAN Production VLAN	Connects Test VLAN to Production VLAN
External Router 2	Production VLAN Branch VLAN	DHCP Relay provides access to DHCP server in Branch VLAN for clients in Production VLAN.
DHCP Client 1	Test VLAN	DHCP Port Rule
DHCP Client 2	Test VLAN	DHCP Port Rule
DHCP Client 3	Production VLAN	DHCP Port Rule
DHCP Client 4	Production VLAN	DHCP Port Rule
DHCP Client 5	Branch VLAN	DHCP Port Rule
DHCP Client 6	Branch VLAN	DHCP Port Rule
DHCP Client 7	Branch VLAN	DHCP MAC Address Rule
DHCP Client 8	Branch VLAN	DHCP MAC Address Rule



DHCP Servers

Both DHCP servers become members in their respective VLANs via IP subnet rules.

Routers

Router 1 provides connectivity between the Test VLAN and the Production VLAN. It does not have Bootp functionality enabled so it cannot connect DHCP servers and clients from different VLANs.

Router 2 connects the Production VLAN and the Branch VLAN. With DHCP Relay enabled, this router can provide connectivity between the DHCP server in the Branch VLAN and the DHCP clients in the Production VLAN.

DHCP Clients

Clients 1 to 6 are assigned to their respective VLANs through DHCP port rules. Clients 3 and 4 are not in a VLAN with a DHCP server so they must rely on the server in the Branch VLAN for initial addressing information. Clients 7 and 8 share a port with other devices, so they are assigned to the Branch VLAN via DHCP MAC address rules.

DHCP Port and MAC Rule Application Example

Verifying VLAN Rule Configuration

To display information about VLAN rules configured on the switch, use the show commands listed below:

show vlan rules Displays a list of rules for one or all VLANs configured on the switch.

For more information about the resulting display from this command, see the *OmniSwitch CLI Reference Guide*. An example of the output for the **show vlan rules** command is also given in “[Sample VLAN Rule Configuration](#)” on page 7-3.

8 Using Interswitch Protocols

Alcatel Interswitch Protocols (AIP) are used to discover adjacent switches and retain mobile port information across switches. The following protocols are supported:

- Alcatel Mapping Adjacency Protocol (AMAP), which is used to discover the topology of OmniSwitches and OmniSwitch/Routers (Omni S/R). See [“AMAP Overview” on page 8-3](#).
- Group Mobility Advertisement Protocol (GMAP), which is used to retain learned mobile port and protocol information. See [“GMAP Overview” on page 8-9](#).

These protocols are independent of each other and perform separate functions. Each protocol is described in detail in separate sections of this chapter.

In This Chapter

This chapter describes the AMAP and GMAP protocols and how to configure them through the Command Line Interface (CLI). CLI commands are used in the configuration examples; for more details about the syntax of commands, see the *OmniSwitch CLI Reference Guide*.

Configuration procedures described in this chapter include:

- Activating AMAP on [page 8-5](#).
- Configuring the AMAP discovery timeout interval on [page 8-5](#).
- Configuring the AMAP common timeout interval on [page 8-6](#).
- Activating GMAP on [page 8-9](#).
- Configuring the GMAP gaptime interval on [page 8-10](#).
- Configuring the GMAP updatetime interval on [page 8-10](#).
- Configuring the GMAP holdtime interval on [page 8-11](#).

For information about statically and dynamically assigning switch ports to VLANs, see [Chapter 6](#), [“Assigning Ports to VLANs.”](#)

For information about defining VLAN rules that allow dynamic assignment of mobile ports to a VLAN, see [Chapter 7](#), [“Defining VLAN Rules.”](#)

AIP Specifications

Standards	Not applicable at this time. AMAP and GMAP are Alcatel proprietary protocols.
Maximum number of IP addresses propagated by AMAP	255

AMAP Defaults

Parameter Description	Command	Default
AMAP status	amap	Enabled
Discovery time interval	amap discovery time	30 seconds
Common time interval	amap common time	300 seconds

GMAP Defaults

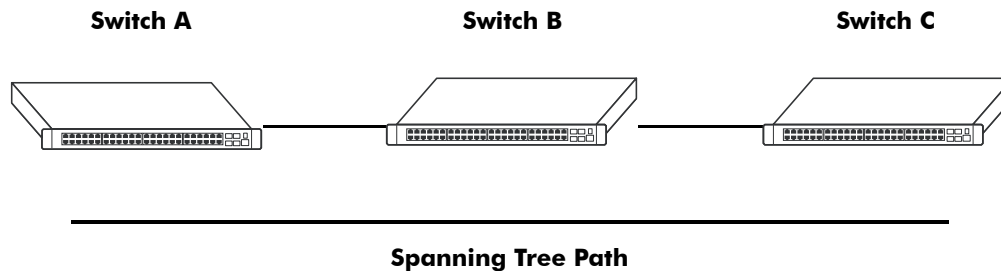
Parameter Description	Command	Default
GMAP status	gmap	Disabled
Gap time interval	gmap gap time	133 milliseconds
Update time interval	gmap update time	300 seconds
Hold time	gmap hold time	4320 minutes (72 hours)

AMAP Overview

The Alcatel Mapping Adjacency Protocol (AMAP) is used to discover the topology of OmniSwitches in a particular installation. Using this protocol, each switch determines which OmniSwitches are adjacent to it by sending and responding to Hello update packets. For the purposes of AMAP, adjacent switches are those that:

- have a Spanning Tree path between them
- do not have any switch between them on the Spanning Tree path that has AMAP enabled

In the illustration here, all switches are on the Spanning Tree path. OmniSwitch A and OmniSwitch C have AMAP enabled. OmniSwitch B does not. OmniSwitch A is adjacent to OmniSwitch C and vice versa. If OmniSwitch B enables AMAP, the adjacency changes. OmniSwitch A would be next to B, B would be adjacent to both A and C, and C would be adjacent to B.

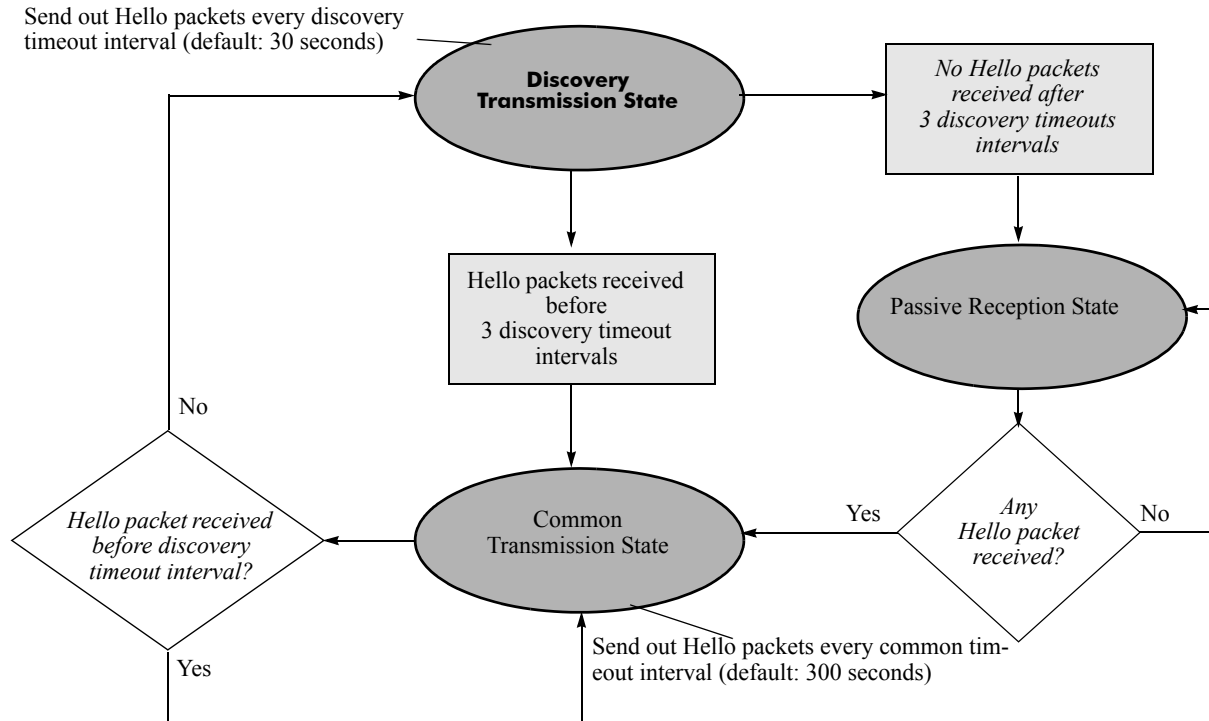


AMAP Transmission States

AMAP switch ports are either in the *discovery transmission state*, *common transmission state*, or *passive reception state*. Ports transition to these states depending on whether or not they receive Hello responses from adjacent switches.

Note. All Hello packet transmissions are sent to a well-known MAC address (0020da:007004).

The transmission states are illustrated here.



Discovery Transmission State

When AMAP is active, at startup all active switch ports are in the discovery transmission state. In this state, ports send out Hello packets and wait for Hello responses. Ports send out Hello packets at a configurable interval called the *discovery timeout interval*. This interval is 30 seconds by default. The ports send out Hello packets up to *three* timeouts of this interval trying to discover adjacent switches.

Any switch ports that receive Hello packets send a Hello response and transition to the common transmission state. Any switch ports that do not receive a Hello response before three discovery timeout intervals have expired are placed in the passive reception state.

Common Transmission State

In the common transmission state, ports detect adjacent switch failures or disconnects by sending Hello packets and waiting for Hello responses. Ports send out Hello packets at a configurable interval called the *common timeout interval*. This interval is 300 seconds by default. To avoid synchronization with adjacent switches, the common timeout interval is jittered randomly by plus or minus ten percent.

Ports wait for a Hello response using the discovery timeout interval. If a Hello response is detected within one discovery timeout interval, the port remains in the common transmission state. If a Hello response is not detected within one discovery timeout interval, the port reverts to the discovery transmission state.

Passive Reception State

In the passive reception state, switch ports are in receive-only mode. Hello packets are not sent out from ports in this state and there is no timer on waiting for Hello responses. If the port receives a Hello packet at any time, it enters the common transmission state and transmits a Hello packet in reply.

If a port transitions to the passive reception state, any remote switch entries for that port are deleted.

Common Transmission and Remote Switches

If an AMAP switch is connected to multiple AMAP switches via a hub, the switch sends and receives Hello traffic to and from the remote switches through the same port. If one of the remote switches stops sending Hello packets and other remote switches continue to send Hello packets, the ports in the common transmission state will remain in the common transmission state.

The inactive switch will eventually be aged out of the switch's AMAP database because each remote switch entry has a "last seen" field that is updated when Hello packets are received. The switch checks the "last seen" field at least once every common timeout interval. Switch ports that are no longer "seen" may still retain an entry for up to three common timeout intervals. The slow aging out prevents the port from sending Hello packets right away to the inactive switch and creating additional unnecessary traffic.

Configuring AMAP

AMAP is active by default. In addition to disabling or enabling AMAP, you can view a list of adjacent switches or configure the timeout intervals for Hello packet transmission and reception.

Enabling or Disabling AMAP

To display whether or not AMAP is active or inactive, enter the following command:

```
-> show amap
```

To activate AMAP on the switch, enter the following command:

```
-> amap enable
```

To deactivate AMAP on the switch, enter the following command:

```
-> amap disable
```

Configuring the AMAP Discovery Timeout Interval

The discovery timeout interval is used in both the discovery transmission state and the common transmission state to determine how long the port will wait for Hello packets. For ports in the discovery transmission state, this timer is also used as the interval between sending out Hello packets.

Note. Ports in the common transmission state send out Hello packets based on the common timeout interval described later.

The discovery timeout interval is set to 30 seconds by default. To display the current discovery timeout interval, enter the following command:

```
-> show amap
```

To change the discovery timeout interval, use either of these forms of the command with the desired value (any value between 1 and 65535). Note that use of the **time** command keyword is optional. For example:

```
-> amap discovery 60  
-> amap discovery time 60
```

Configuring the AMAP Common Timeout Interval

The common timeout interval is used only in the common transmission state to determine the time interval between sending Hello update packets. A switch sends an update for a port just before or after the common timeout interval expires.

Note. Switches avoid synchronization by jittering the common timeout interval plus or minus 10 percent of the configured value. For example, if the default common timeout interval is used (300 seconds), the jitter is plus or minus 30 seconds.

When a Hello packet is received from an adjacent switch before the common timeout interval expires, the switch sends a Hello reply and restarts the common transmission timer.

The common timeout interval is set to 300 seconds by default. To display the current common timeout interval, enter the following command:

```
-> show amap
```

To change the common timeout interval, use either of these forms of the command with the desired value (any value between 1 and 65535). Note that use of the **time** command keyword is optional. For example:

```
-> amap common 600
-> amap common time 600
```

Displaying AMAP Information

Use the **show amap** command to view a list of adjacent switches and their associated MAC addresses, interfaces, VLANs, and IP addresses. For remote switches that stop sending Hello packets and that are connected via a hub, entries may take up to three times the common timeout intervals to age out of this table.

The following example shows three interfaces on a local AMAP switch (4/1, 5/1, 7/1) connected to interfaces on two remote switches. Interface 5/1 is connected to a remote switch through a hub.

```
-> show amap

AMAP:
  Operational Status = enabled,
  Common Phase Timeout Interval (seconds) = 300,
  Discovery Phase Timeout Interval (seconds) = 30

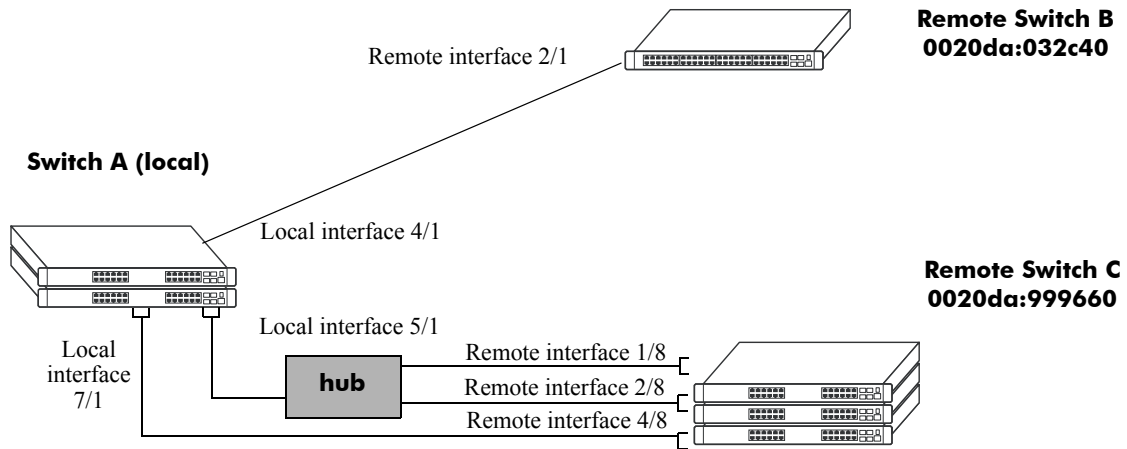
Remote Host 'Switch B' On Port 4/1 Vlan 1:
Remote Device           = OS6800,
Remote Base MAC         = 00:20:da:03:2c:40,
Remote Interface        = 2/1,
Remote VLAN             = 1,
Number of Remote IP Address(es) Configured = 4,
Remote IP(s) =
18.1.1.1
27.0.0.2
192.168.10.1
192.206.184.40

Remote Host 'Switch C' On Port 5/1 Vlan 7:
Remote Device           = OS6800,
Remote Base MAC         = 00:20:da:99:96:60,
Remote Interface        = 1/8,
Remote Vlan             = 7,
Number of Remote IP Address(es) Configured = 1,
Remote IP(s) =
192.206.184.20

Remote Host 'Switch C' On Port 5/1 Vlan 7:
Remote Device           = OS6800,
Remote Base MAC         = 00:20:da:99:96:60,
Remote Interface        = 2/8,
Remote Vlan             = 255,
Number of Remote IP Address(es) Configured = 1,
Remote IP(s) =
192.206.185.30

Remote Host 'Switch C' On Port 7/1 Vlan 455:
Remote Device           = OS6800,
Remote Base MAC         = 00:20:da:99:96:60,
Remote Interface        = 4/8,
Remote Vlan             = 455,
Number of Remote IP Address(es) Configured = 3,
Remote IP(s) =
192.206.183.10
192.206.184.20
192.206.185.30
```

A visual illustration of these connections is shown here:



See the *OmniSwitch CLI Reference Guide* for information about the **show amap** command.

GMAP Overview

The Group Mobility Advertisement Protocol (GMAP) enables workstation users to move from port to port among interconnected switches and still retain all learned mobile port and protocol information. Using GMAP, the switch that receives a GMAP update packet updates its internal GMAP tables and queries the forwarding database to make any necessary updates.

At startup time and for three successive update intervals, GMAP sends update packets on all virtual ports that are active non-leaf ports (that is, ports that are running Spanning Tree). After startup and three transmissions, interval packets will only be sent on virtual ports that are active and are known to have an OmniSwitch or OmniS/R running GMAP connected to them.

GMAP will send updates only for MAC addresses that are learned on leaf ports (ports that are not running Spanning Tree). It does not advertise MAC addresses for VLANs assigned by authentication or binding rule classification, and it does not advertise VLAN 1 entries. If conflicting information is received for a MAC address, the last packet received for that address will take precedence.

When the switch learns a new MAC address on a mobile leaf port, it attempts to assign it to a VLAN. It consults GMAP tables and any appropriate VLAN membership entries are added to the forwarding database.

Configuring GMAP

GMAP is inactive by default. In addition to enabling and disabling GMAP, you can configure the time between packet transmissions (when multiple packets are required for an update), the time between updates, and the length of time GMAP will retain its current information.

Enabling and Disabling GMAP

To display whether or not GMAP is active or inactive, enter the following command:

```
-> show gmap
```

To activate GMAP on the switch, enter the following command:

```
-> gmap enable
```

To deactivate GMAP on the switch, enter the following command:

```
-> gmap disable
```

Configuring the GMAP Gap Time Interval

The GMAP gap time interval determines the interpacket time used when multiple packets are required for an update. When there are many MAC addresses on mobile ports, more than one GMAP packet is required for an update. Typically there is no need to alter the gaptime interval, but you may want to modify it if traffic spikes are occurring on the network.

Note. The switch approximates the gaptime interval because its internal clock does not use milliseconds. For any value shorter than one second, the switch uses 1/60 second increments called “ticks.” The default gaptime interval is 8 ticks or approximately 133 milliseconds. Any value you enter will be rounded to the nearest tick.

To display the current gaptime interval, enter the following command:

```
-> show gmap
```

To change the gaptime interval, use either of these forms of the command with the desired value (any value between 1 and 65535). Note that use of the **time** command keyword is optional. For example:

```
-> gmap gap 500
-> gmap gap time 250
```

Configuring the GMAP Update Time Interval

The GMAP update time interval specifies the number of seconds for GMAP to wait between each update and the transmission of GMAP information.

Note. The switches avoid synchronization by jittering the update time interval by plus or minus one quarter of the configured interval. For example, if the default of 300 seconds is used, the jitter is plus or minus 75 seconds.

To display the current update time, enter the following command:

```
-> show gmap
```

To change the updatetime interval, use either of these forms of the command with the desired value (any value between 1 and 65535). Note that use of the **time** command keyword is optional. For example:

```
-> gmap update 1200
-> gmap update time 60
```

Configuring the GMAP Hold Time

The GMAP hold time specifies the length of time the switch retains information received in GMAP update packets. By default, the holdtime interval is 4320 minutes (72 hours).

To display the current holdtime interval, enter the following command:

```
-> show gmap
```

To change the holdtime interval, use either of these forms of the command with the desired value (any value between 1 and 65535). Note that use of the **time** command keyword is optional. For example:

```
-> gmap hold 500
-> gmap hold time 250
```

Displaying GMAP Statistics

Use the **show gmap** command to view statistics for all MAC addresses.

```
-> show gmap
```

```
GMAP is currently enabled,
GMAP Holdtime   Interval (minutes)      = 4320,
GMAP Updatetime Interval (seconds)    = 300,
GMAP Gaptime    Interval (milliseconds) = 133
```

MAC Address	Protocol	VLAN	Src Switch ID	Timeout(sec)
000502:c07f11	1809B	12	0020da:ecc770	3536
	800	12	0020da:ecc770	3536
00105a:1873b9	1809B	12	0020da:ecc770	3536
	800	12	0020da:ecc770	3536

See the *OmniSwitch CLI Reference Guide* for information about the **show gmap** command.

9 Configuring 802.1Q

802.1Q is the IEEE standard for segmenting networks into VLANs. 802.1Q segmentation is done by adding a specific tag to a packet.

In this Chapter

This chapter describes the basic components of 802.1Q VLANs and how to configure them through the Command Line Interface (CLI). CLI commands are used in the configuration examples; for more details about the syntax of commands, see “802.1Q Commands” in the *OmniSwitch CLI Reference Guide*.

Configuration procedures described in this chapter include:

- Setting up an 802.1Q VLAN for a specific port. See [“Enabling Tagging on a Port” on page 9-5](#).
- Setting up an 802.1Q VLAN for an link aggregation group. See [“Enabling Tagging with Link Aggregation” on page 9-6](#).
- Configuring 802.1Q VLAN parameters. See [“Configuring the Frame Type” on page 9-7](#).

For information on creating and managing VLANs, see [Chapter 4, “Configuring VLANs.”](#)

For information on creating and managing link aggregation groups, see [Chapter 10, “Configuring Static Link Aggregation”](#) and [Chapter 11, “Configuring Dynamic Link Aggregation.”](#)

802.1Q Specifications

IEEE Specification	<i>Draft Standard P802.1Q/D11 IEEE Standards for Local And Metropolitan Area Network: Virtual Bridged Local Area Networks, July 30, 1998</i>
Maximum Number of Tagged VLANs per Port	4093
Maximum Number of Untagged VLANs per Port	One untagged VLAN per port.
Maximum Number of VLAN Port Associations	32768

Note. Up to 4093 VLANs can be assigned to a tagged port or link aggregation group. However, each assignment counts as a single VLAN port association. Once the maximum number of VLAN port associations is reached, no more VLANs can be assigned to ports. For more information, see the chapter titled [Chapter 6, “Assigning Ports to VLANs.”](#)

802.1Q Defaults Table

The following table shows the default settings of the configurable 802.1Q parameters.

802.1Q Defaults

Parameter Description	Command	Default Value/Comments
What type of frames accepted	vlan 802.1q frame type	Both tagged and untagged frames are accepted

802.1Q Overview

Alcatel's 802.1Q is an IEEE standard for sending frames through the network tagged with VLAN identification. This chapter details procedures for configuring and monitoring 802.1Q tagging on a single port in a switch or a link aggregation group in a switch.

802.1Q tagging is the IEEE version of VLANs. It is a method for segregating areas of a network into distinct VLANs. By attaching a label, or tag, to a packet, the packet can be identified as being from a specific area or identified as being destined for a specific area.

When enabling a tagged port, you will also need to specify whether only 802.1Q tagged traffic is allowed on the port, or whether the port accepts both tagged and untagged traffic.

“Tagged” refers to four bytes of reserved space in the header of the packet. The four bytes of “tagging” are broken down as follows: the first two bytes indicate whether the packet is an 802.1Q packet, and the next two bytes carry the VLAN identification (VID) and priority.

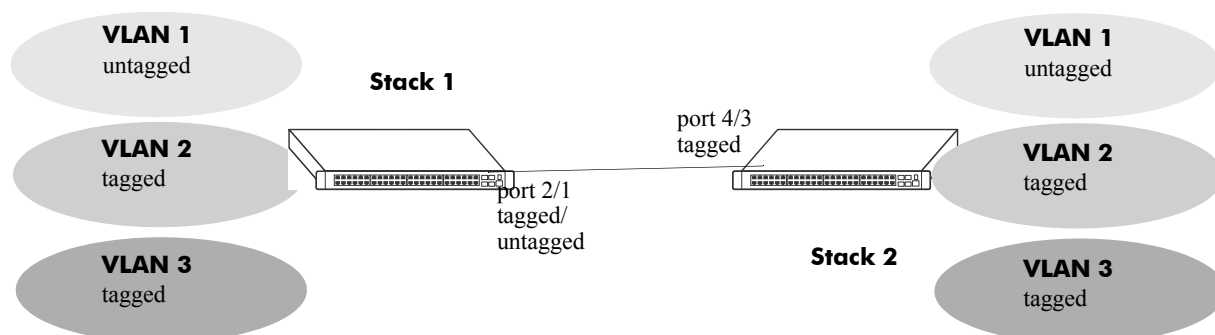
On the ingress side, packets are classified in a VLAN. After classifying a packet, the switch adds an 802.1Q header to the packet. Egress processing of packets is done by the switch hardware. Packets have an 802.1Q tag which may be stripped off based on 802.1Q tagging/stripping rules.

If a port is configured to be a tagged port, then all the untagged traffic (including priority tagged, or VLAN 0 traffic) received on the port will be dropped. You do not need to reboot the switch after changing the configuration parameters.

Note. Priority tagged traffic, or traffic from VLAN 0, is used for Quality of Service (QoS) functionality. 802.1Q views priority tagged traffic as untagged traffic.

Mobile ports can be configured to accept 802.1Q traffic by enabling the VLAN mobile tagging feature as described in [Chapter 4, “Configuring VLANs.”](#)

The following diagram illustrates a simple network using tagged and untagged traffic:



Tagged and Untagged Traffic Network

Stack 1 and 2 have three VLANs, one for untagged traffic and two for tagged traffic. The ports connecting Stack 1 and 2 are configured in such a manner that Port 4/3 will only accept tagged traffic, while Port 2/1 will accept both tagged and untagged traffic.

The port can only be assigned to one untagged VLAN (in every case, this will be the default VLAN). In the example above the default VLAN is VLAN 1. The port can be assigned to as many 802.1Q VLANs as necessary, up to 4093 per port or 32768 VLAN port associations.

For the purposes of Quality of Service (QoS), 802.1Q ports are always considered to be *trusted* ports. For more information on QoS and trusted ports, see [Chapter 21, “Configuring QoS.”](#)

Alcatel’s 802.1Q tagging is done at wire speed, providing high-performance throughput of tagged frames.

The procedures below use CLI commands that are thoroughly described in “802.1Q Commands” of the *OmniSwitch CLI Reference Guide*.

Note. 802.1Q on the OmniSwitch 6800 does not have the “force tag internal” feature, available on other OmniSwitch products.

Configuring an 802.1Q VLAN

The following sections detail procedures for creating 802.1Q VLANs and assigning ports to 802.1Q VLANs.

Enabling Tagging on a Port

To set a port to be a tagged port, you must specify a VLAN identification (VID) number and a port number. You may also optionally assign a text identification.

For example, to configure port 4 on slot 3 to be a tagged port, enter the following command at the CLI prompt:

```
-> vlan 5 802.1q 3/4
```

Tagging would now be enabled on port 3/4, with a VID of 5.

To add tagging to a port, and label it with a text name, you would enter the text identification following the slot and port number. For example, to enable tagging on port 4 of slot 3 with a text name of **port tag**, enter the command in the following manner:

```
-> vlan 5 802.1q 3/4 "port tag"
```

The tagged port would now also be labeled **port tag**. Note that you must use quotes around the text description.

The VLAN used to handle traffic on the tagged port must be created prior to using the **vlan 802.1q** command. Creating a VLAN is described in [Chapter 4, “Configuring VLANs.”](#)

For more specific information, see the [vlan 802.1q](#) command section in the *OmniSwitch CLI Reference Guide*.

Enabling Tagging with Link Aggregation

To enable tagging on link aggregation groups, enter the link aggregation group identification number in place of the slot and port number, as shown:

```
-> vlan 5 802.1q 8
```

(For further information on creating link aggregation groups, see [Chapter 10, “Configuring Static Link Aggregation,”](#) or [Chapter 11, “Configuring Dynamic Link Aggregation.”](#))

To add tagging to a port or link aggregation group and label it with a text name enter the text identification following the slot and port number or link aggregation group identification number. For example, to enable tagging on link aggregation group 8 with a text name of **agg port tag**, enter the command in the following manner:

```
-> vlan 5 802.1q 8 "agg port tag"
```

The tagged port would now also be labeled **agg port tag**. Note that you must use quotes around the text description.

To remove 802.1Q tagging from a selected port, use the same command as above with a **no** keyword added, as shown:

```
-> vlan 5 no 802.1q 8
```

Note. The link aggregation group must be created first before it can be set to use 802.1Q tagging

For more specific information, see the [vlan 802.1q](#) command section in the *OmniSwitch CLI Reference Guide*.

Configuring the Frame Type

Once a port has been set to receive and send tagged frames, it will be able to receive or send tagged or untagged traffic. Tagged traffic will be subject to 802.1Q rules, while untagged traffic will behave as directed by normal switch operation. (Setting up rules for non-802.1Q traffic is defined in [Chapter 4, “Configuring VLANs.”](#)) A port can also be configured to accept only tagged frames.

To configure a port to only accept tagged frames, enter the **frame type** command at the CLI prompt:

```
-> vlan 802.1q 3/4 frame type tagged
```

To configure a port back to accepting both tagged and untagged traffic, use the same command with the **all** keyword, as shown:

```
-> vlan 802.1q 3/4 frame type all
```

Note. If you configure a port to accept only VLAN-tagged frames, then any frames received on this port that do not carry a VLAN identification (i.e., untagged frames or priority-tagged frames) will be discarded by the ingress rules for this port. Frames that are not discarded by this ingress rule are classified and processed according to the ingress rules for this port.

When a port is set to support both tagged and untagged traffic, multiple VLANs for 802.1Q traffic can be added to the port, but only one VLAN can be used to support untagged traffic. The untagged traffic VLAN will always be the port's default VLAN.

Note. You cannot configure a link aggregation group to accept only tagged frames.

For more specific information, see the [vlan 802.1q frame type](#) command section in the *OmniSwitch CLI Reference Guide*.

Show 802.1Q Information

After configuring a port or link aggregation group to be a tagged port, you can view the settings by using the **show 802.1q** command, as demonstrated:

```
-> show 802.1q 3/4
```

```
Acceptable Frame Type : Any Frame Type
Force Tag Internal    : off
```

```
Tagged VLANs      Internal Description
-----+-----+
          2      TAG PORT 3/4 VLAN 2
```

```
-> show 802.1q 2
```

```
Tagged VLANs      Internal Description
-----+-----+
          3      TAG AGGREGATE 2 VLAN 3
```

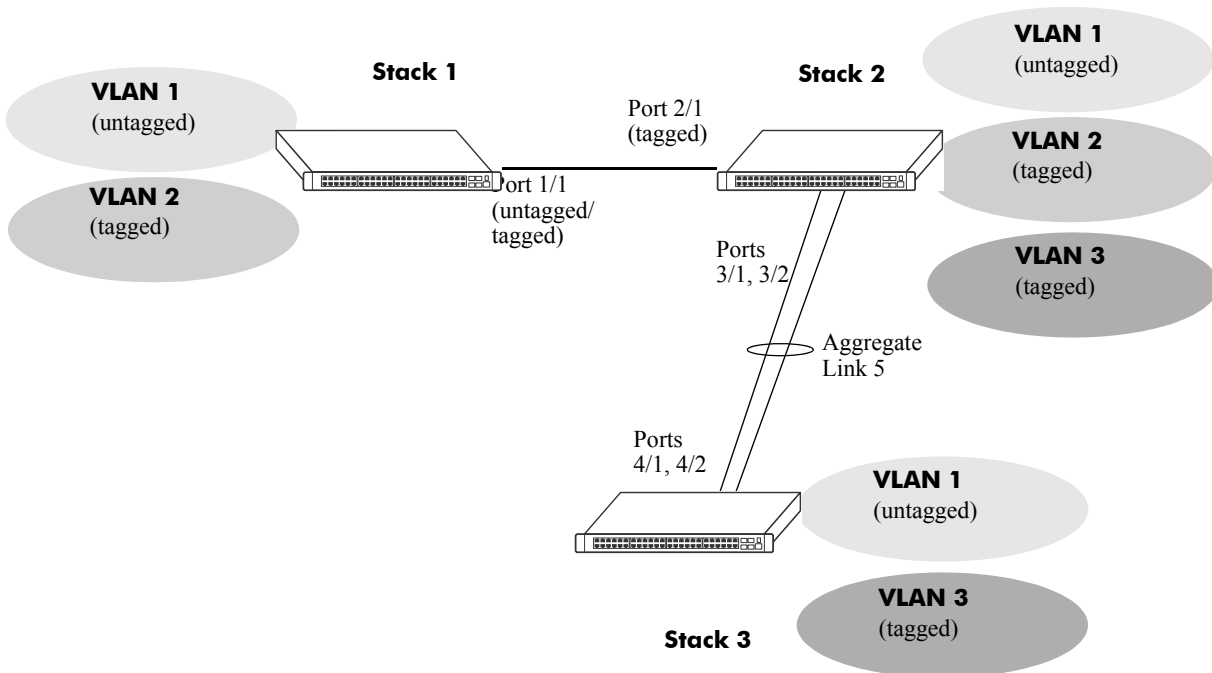
To display all VLANs, enter the following command:

```
-> show vlan port
```


Application Example

In this section the steps to create 802.1Q connections between switches are shown.

The following diagram shows a simple network employing 802.1Q on both regular ports and link aggregation groups.



The following sections show how to create the network illustrated above.

Connecting Stack 1 and Stack 2 Using 802.1Q

The following steps apply to Stack 1. They will attach port 1/1 to VLAN 2, and set the port to accept 802.1Q tagged traffic and untagged traffic.

- 1 Create VLAN 2 by entering **vlan 2** as shown below (VLAN 1 is the default VLAN for the switch):

```
-> vlan 2
```

- 2 Set port 1/1 as a tagged port and assign it to VLAN 2 by entering the following:

```
-> vlan 2 802.1q 1/1
```

- 3 Check the configuration using the **show 802.1q** command, as follows:

```
-> show 802.1q 1/1
```

```
Acceptable Frame Type : Any Frame Type
Force Tag Internal    : on
```

```
Tagged VLANs      Internal Description
-----+-----+
      2          TAG PORT 1/1 VLAN 2
```

The following steps apply to Stack 2. They will attach port 2/1 to VLAN 2, and set the port to accept 802.1Q tagged traffic only:

- 1 Create VLAN 2 by entering **vlan 2** as shown below (VLAN 1 is the default VLAN for the switch):

```
-> vlan 2
```

- 2 Set port 2/1 as a tagged port and assign it to VLAN 2 by entering the following:

```
-> vlan 2 802.1q 2/1
```

- 3 Set port 2/1 to accept only tagged traffic by entering the following:

```
-> vlan 802.1q 2/1 frame type tagged
```

- 4 Check the configuration using the **show 802.1q** command, as follows:

```
-> show 802.1q 2/1
```

```
Acceptable Frame Type   :          tagged only
Force Tag Internal      :                   on

Tagged VLANs           Internal Description
-----+-----+-----+
          2             TAG PORT 2/1 VLAN 2
```

Connecting Stack 2 and Stack 3 Using 802.1Q

The following steps apply to Stack 2. They will attach ports 3/1 and 3/2 as link aggregation group 5 to VLAN 3.

- 1 Configure static aggregate VLAN 5 by entering the following:

```
-> static linkagg 5 size 2
```

- 2 Assign ports 3/1 and 3/2 to static aggregate VLAN 5 by entering the following two commands:

```
-> static agg 3/1 agg num 5
```

```
-> static agg 3/2 agg num 5
```

- 3 Create VLAN 3 by entering the following:

```
-> vlan 3
```

- 4 Configure 802.1Q tagging with a tagging ID of 3 on link aggregation group 5 (on VLAN 3) by entering **vlan 3 802.1q 5** as shown below:

```
-> vlan 3 802.1q 5
```

- 5 Check the configuration using the **show 802.1q** command, as follows:

```
-> show 802.1q 5
```

```
Tagged VLANs           Internal Description
-----+-----+-----+
          3             TAG AGGREGATE 5 VLAN 3
```

The following steps apply to Stack 3. They will attach ports 4/1 and 4/2 as link aggregation group 5 to VLAN 3.

- 1 Configure static link aggregation group 5 by entering the following:

```
-> static linkagg 5 size 2
```

- 2 Assign ports 4/1 and 4/2 to static link aggregation group 5 by entering the following two commands:

```
-> static agg 4/1 agg num 5
```

```
-> static agg 4/2 agg num 5
```

- 3 Create VLAN 3 by entering the following:

```
-> vlan 3
```

- 4 Configure 802.1Q tagging with a tagging ID of 3 on static link aggregation group 5 (on VLAN 3) by entering the following:

```
-> vlan 3 802.1q 5
```

- 5 Check the configuration using the **show 802.1q** command, as follows:

```
-> show 802.1q 5
```

```
Tagged VLANs      Internal Description
-----+-----+
          3      TAG AGGREGATE 5 VLAN 3
```

Verifying 802.1Q Configuration

To display information about the ports configured to handle tagging, use the following show command:

show 802.1q Displays 802.1Q tagging information for a single port or a link aggregation group.

For more information about the resulting display, see [Chapter 15, “802.1Q Commands,”](#) in the *OmniSwitch CLI Reference Guide*.

10 Configuring Static Link Aggregation

Alcatel's static link aggregation software, also known as *OmniChannel*, allows you to combine several physical links into one large virtual link known as a link aggregation *group*. Using link aggregation can provide the following benefits:

- **Scalability.** You can configure up to 32 link aggregation groups that can consist of 2, 4, or 8 links in a single standalone switch or a stack consisting of up to eight switches.
- **Reliability.** If one of the physical links in a link aggregate group goes down (unless it is the last one) the link aggregate group can still operate.
- **Ease of Migration.** Link aggregation can ease the transition from a 100 Mbps Ethernet backbones to Gigabit Ethernet backbones.

Note. This chapter only covers static link aggregation for OmniSwitch 6800 Series switches. Please refer to the *OmniSwitch 7700/7800/8800 Network Configuration Guide* for information on configuring static link aggregation on OmniSwitch 7700, 7800, and 8800 switches or to the *OmniSwitch 6624/6648 Network Configuration Guide* for information on configuring static link aggregation on OmniSwitch 6600 Family switches.

In This Chapter

This chapter describes the basic components of static link aggregation and how to configure them through the Command Line Interface (CLI). CLI commands are used in the configuration examples; for more details about the syntax of commands, see the *OmniSwitch CLI Reference Guide*.

Configuration procedures described in this chapter include:

- Configuring static (OmniChannel) link aggregation groups on [page 10-7](#).
- Adding and deleting ports from a static aggregate group on [page 10-9](#).
- Modifying static link aggregation default values on [page 10-10](#).

Note. You can also configure and monitor static link aggregation with WebView, Alcatel's embedded web-based device management application. WebView is an interactive and easy-to-use GUI that can be launched from OmniVista or a web browser. Please refer to WebView's online documentation for more information on configuring and monitoring static link aggregation with WebView.

Static Link Aggregation Specifications

The table below lists specifications for static (OmniChannel) groups.

Maximum number of link aggregation groups per stack (composed of up to eight OmniSwitch 6800 Series switches)	32
Maximum number of link aggregation groups per standalone OmniSwitch 6800 Series switch	32
Number of links per group supported	2, 4, or 8
Range for optional group name	1 to 255 characters
CLI Command Prefix Recognition	All static link aggregation configuration commands support prefix recognition. (Static link aggregation show commands do not support prefix recognition.) See the “Using the CLI” chapter in the <i>OmniSwitch 6800 Series Switch Management Guide</i> for more information.

Static (OmniChannel) Link Aggregation Default Values

The table below lists default values and the commands to modify them for static (OmniChannel) aggregate groups.

Parameter Description	Command	Default Value/Comments
Administrative State	<code>static linkagg admin state</code>	enabled
Group Name	<code>static linkagg name</code>	No name configured

Quick Steps for Configuring Static Link Aggregation

Follow the steps below for a quick tutorial on configuring a static aggregate link between two switches. Additional information on how to configure each command is given in the subsections that follow.

- 1 Create the static aggregate link on the local switch with the **static linkagg size** command. For example:

```
-> static linkagg 1 size 4
```

- 2 Assign all the necessary ports with the **static agg agg num** command. For example:

```
-> static agg 1/1 agg num 1  
-> static agg 1/2 agg num 1  
-> static agg 1/3 agg num 1  
-> static agg 1/4 agg num 1
```

- 3 Create a VLAN for this static link aggregate group with the **vlan** command. For example:

```
-> vlan 10 port default 1
```

- 4 Create the equivalent static aggregate link on the remote switch with the **static linkagg size** command. For example:

```
-> static linkagg 1 size 4
```

- 5 Assign all the necessary ports with the **static agg agg num** command. For example:

```
-> static agg 1/9 agg num 1  
-> static agg 1/10 agg num 1  
-> static agg 1/11 agg num 1  
-> static agg 1/12 agg num 1
```

- 6 Create a VLAN for this static link aggregate group with the **vlan** command. For example:

```
-> vlan 10 port default 1
```

Note. *Optional.* You can verify your static link aggregation settings with the **show linkagg** command. For example:

```
-> show linkagg 1
Static Aggregate
SNMP Id           : 40000001,
Aggregate Number  : 1,
SNMP Descriptor   : Omnichannel Aggregate Number 1 ref 40000001 size 4,
Name              : ,
Admin State       : ENABLED,
Operational State : UP,
Aggregate Size    : 4,
Number of Selected Ports : 4,
Number of Reserved Ports : 4,
Number of Attached Ports : 4,
Primary Port      : 1/1
```

You can also use the **show linkagg port** port command to display information on specific ports. See “[Displaying Static Link Aggregation Configuration and Statistics](#)” on page 10-13 for more information on **show** commands.

An example of what these commands look like entered sequentially on the command line on the local switch:

```
-> static linkagg 1 size 4
-> static agg 1/1 agg num 1
-> static agg 1/2 agg num 1
-> static agg 1/3 agg num 1
-> static agg 1/4 agg num 1
-> vlan 10 port default 1
```

And an example of what these commands look like entered sequentially on the command line on the remote switch:

```
-> static linkagg 1 size 4
-> static agg 1/9 agg num 1
-> static agg 1/10 agg num 1
-> static agg 1/11 agg num 1
-> static agg 1/12 agg num 1
-> vlan 10 port default 1
```


Static Link Aggregation Overview

Link aggregation allows you to combine 2, 4, or 8 physical connections into large virtual connections known as link aggregation *groups*. You can create up to 32 link aggregation groups on a standalone switch and up to 32 groups stack consisting of up to 8 OmniSwitch 6800 Series switches.

You can create Virtual LANs (VLANs), configure Quality of Service (QoS) conditions, 802.1Q framing, and other networking features on link aggregation groups because the switch's software treats these virtual links just like physical links. (See "[Relationship to Other Features](#)" on page 10-6 for more information on how link aggregation interacts with other software features.)

Load balancing for Layer 2 non IP packets is on a MAC address basis and for IP packets the balancing algorithm uses IP address as well. Ports must be the same speed within the same link aggregate group.

Alcatel's link aggregation software allows you to configure the following two different types of link aggregation groups:

- Static link aggregate groups
- Dynamic link aggregate groups

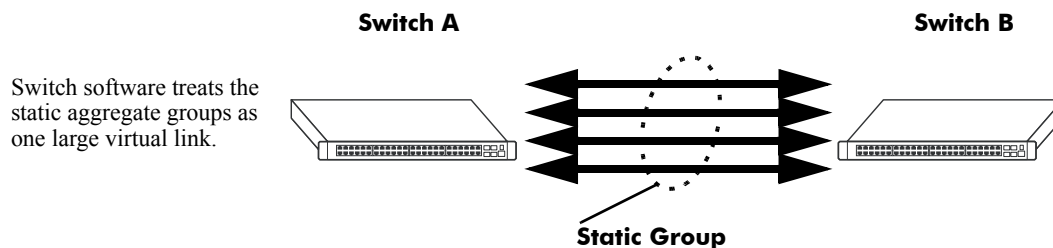
This chapter describes static link aggregation (also known as *OmniChannel*). For information on dynamic link aggregation, please refer to [Chapter 11, "Configuring Dynamic Link Aggregation."](#)

Static Link Aggregation Operation

Static link aggregate groups, also known as *OmniChannel*, are virtual links between two nodes consisting of 2, 4, or 8 physical links. Up to 32 static and or dynamic link aggregation groups can be configured on a standalone switch or a stack consisting of up to eight OmniSwitch 6800 Series switches.

Static aggregate groups can be created between two OmniSwitch 6800 Series switches; between an OmniSwitch 6800 Series switch and an OmniSwitch 7700/7800, 8800 or OmniSwitch 6600 Family switch; or between an OmniSwitch 6800 Series switch and an early-generation Alcatel switch such as an Omni Switch/Router. However, static aggregate groups cannot be created between OmniSwitch 6800 Series switches and some switches from other vendors.

The figure below shows a static aggregate group that has been configured between Switch A and Switch B. The static aggregate group links four 100 Mbps ports on Switch A to four 100 Mbps ports on Switch B. The network administrator has created a separate VLAN for this group so users can use this high speed link.



Example of a Static Link Aggregate Group Network

See [“Configuring Static Link Aggregation Groups” on page 10-7](#) for information on using Command Line Interface (CLI) commands to configure static aggregate groups and see [“Displaying Static Link Aggregation Configuration and Statistics” on page 10-13](#) for information on using CLI to monitor static aggregate groups.

Relationship to Other Features

Link aggregation groups are supported by other switch software features. The following features have CLI commands or command parameters that support link aggregation:

- **VLANs.** For more information on VLANs see [Chapter 4, “Configuring VLANs.”](#)
- **802.1Q.** For more information on configuring and monitoring 802.1Q see [Chapter 9, “Configuring 802.1Q.”](#)
- **Spanning Tree.** For more information on Spanning Tree see [Chapter 5, “Configuring Spanning Tree Parameters.”](#)

Note. See [“Application Example” on page 10-11](#) for tutorials on using link aggregation with other features.

Configuring Static Link Aggregation Groups

This section describes how to use Alcatel's Command Line Interface (CLI) commands to configure static link aggregate groups. See [“Configuring Mandatory Static Link Aggregate Parameters” on page 10-7](#) for more information.

Note. See [“Quick Steps for Configuring Static Link Aggregation” on page 10-3](#) for a brief tutorial on configuring these mandatory parameters.

Alcatel's link aggregation software is preconfigured with the default values for static aggregate groups as shown in the table in [“Static \(OmniChannel\) Link Aggregation Default Values” on page 10-2](#). If you need to modify any of these parameters, please see [“Modifying Static Aggregation Group Parameters” on page 10-10](#) for more information.

Note. See the “Link Aggregation Commands” chapter in the *OmniSwitch CLI Reference Guide* for complete documentation of CLI commands for link aggregation.

Configuring Mandatory Static Link Aggregate Parameters

When configuring static link aggregates on a switch you must perform the following steps:

- 1 Create the Static Aggregate Group on the Local and Remote Switches.** To create a static aggregate group use the **static linkagg size** command, which is described in [“Creating and Deleting a Static Link Aggregate Group” on page 10-8](#).
- 2 Assign Ports on the Local and Remote Switches to the Static Aggregate Group.** To assign ports to the static aggregate group you use the **static agg agg num** command, which is described in [“Adding and Deleting Ports in a Static Aggregate Group” on page 10-9](#).

Note. Depending on the needs of your network you may need to configure additional parameters. Commands to configure optional static aggregate parameters are described in [“Modifying Static Aggregation Group Parameters” on page 10-10](#).

Creating and Deleting a Static Link Aggregate Group

The following subsections describe how to create and delete static link aggregate groups with the **static linkagg size** command.

Creating a Static Aggregate Group

To create a static aggregate group on a switch by entering **static linkagg** followed by the user-specified aggregate number (which can be 0 through 31), **size**, and the number of links in the static aggregate group (which can be 2, 4, or 8).

For example, to create static aggregate group 5 that consists of eight (8) links on a switch you would enter:

```
-> static linkagg 5 size 8
```

You can create up to 32 static and/or dynamic link aggregation groups can be configured on a standalone switch or a stack consisting of up to eight OmniSwitch 6800 Series switches.

Note. The number of links assigned to a static aggregate group should always be close to the number of physical links that you plan to use. For example, if you are planning to use 2 physical links you should create a group with a size of 2 and not 4 or 8.

As an option you can also specify a name and/or the administrative status of the group by entering **static linkagg** followed by the user-specified aggregate number, **size**, the number of links in the static aggregate group, **name**, the optional name (which can be up to 255 characters long), **admin state**, and either **enable** or **disable** (the default is **enable**).

For example, to create static aggregate group 5 called “static1” consisting of eight (8) links that is administratively disabled enter:

```
-> static linkagg 5 size 8 name static1 admin state disable
```

Note. If you want to specify spaces within a name for a static aggregate group the name must be specified within quotes (e.g., “Static Aggregate Group 5”).

Deleting a Static Aggregate Group

To delete a static aggregation group from a switch use the **no** form of the **static linkagg size** command by entering **no static linkagg** followed by the number that identifies the group. For example, to remove static aggregate group 5 from a switch’s configuration you would enter:

```
-> no static linkagg 5
```

Note. You must delete any attached ports with the **static agg agg num** command before you can delete a static link aggregate group.

Adding and Deleting Ports in a Static Aggregate Group

The following subsections describe how to add and delete ports in a static aggregate group with the **static agg agg num** command.

Adding Ports to a Static Aggregate Group

The number of ports assigned in a static aggregate group can be less than or equal to the maximum size you specified in the **static linkagg size** command. To assign a port to a static aggregate group you use the **static agg agg num** command by entering **static agg** followed by the slot number, a slash (/), the port number, **agg num**, and the number of the static aggregate group. Ports must be the same speed (i.e., all 10 Mbps, all 100 Mbps, or all 1 Gbps).

For example, to assign ports 1, 2, and 3 in slot 1 to static aggregate group 10 (which has a size of 4) you would enter:

```
-> static agg 1/1 agg num 10
-> static agg 1/2 agg num 10
-> static agg 1/3 agg num 10
```

Note. A port may belong to only one aggregate group. In addition, mobile ports cannot be aggregated. See [Chapter 6, “Assigning Ports to VLANs,”](#) for more information on mobile ports.

As an option, you can use the **ethernet**, **fastethernet**, and **gigaethernet** keywords before the slot and port number to document the interface type or make the command look consistent with early-generation Alcatel CLI syntax. For example, to assign port 1 in slot 1 to static aggregate group 10 and document that port 1 in slot 5 is a Fast Ethernet port you would enter:

```
-> static fastethernet agg 1/1 agg num 10
```

Note. The **ethernet**, **fastethernet**, and **gigaethernet** keywords do not modify a port's configuration. See [Chapter 1, “Configuring Ethernet Ports,”](#) for information on configuring Ethernet ports.

Removing Ports from a Static Aggregate Group

To remove a port from a static aggregate group you use the **no** form of the **static agg agg num** command by entering **static agg no** followed by the slot number, a slash (/), and the port number. For example, to remove port 4 in slot 1 from a static aggregate group you would enter:

```
-> static agg no 1/4
```

Ports must be deleted in the reverse order in which they were assigned. For example, if port 9 through 16 were assigned to static aggregate group 2 you must first delete port 16, then port 15, and so forth. The following is an example of how to delete ports in the proper sequence from the console

```
-> static agg no 1/24
-> static agg no 1/23
-> static agg no 1/22
```

Modifying Static Aggregation Group Parameters

This section describes how to modify the following static aggregate group parameters:

- Static aggregate group name (see “[Modifying the Static Aggregate Group Name](#)” on page 10-10)
- Static aggregate group administrative state (see “[Modifying the Static Aggregate Group Administrative State](#)” on page 10-10)

Modifying the Static Aggregate Group Name

The following subsections describe how to modify the name of the static aggregate group with the **static linkagg name** command.

Creating a Static Aggregate Group Name

To create a name for a static aggregate group by entering **static linkagg** followed by the number of the static aggregate group, **name**, and the user-specified name of the group, which can be up to 255 characters long. For example, to configure static aggregate group 4 with the name “Finance” you would enter:

```
-> static linkagg 4 name Finance
```

Note. If you want to specify spaces within a name for a static aggregate group the name must be specified within quotes (e.g., “Static Aggregate Group 4”).

Deleting a Static Aggregate Group Name

To remove a name from a static aggregate group you use the **no** form of the **static linkagg name** command by entering **static linkagg** followed by the number of the static aggregate group and **no name**. For example, to remove any user-specified name from static aggregate group 4 you would enter:

```
-> static linkagg 4 no name
```

Modifying the Static Aggregate Group Administrative State

By default, the administrative state for a static aggregate group is enabled. The following subsections describe how to enable and disable the administrative state with the **static linkagg admin state** command.

Enabling the Static Aggregate Group Administrative State

To enable a static aggregate group by entering **static linkagg** followed by the number of the group and **admin state enable**. For example, to enable static aggregate group 1 you would enter:

```
-> static linkagg 1 admin state enable
```

Disabling the Static Aggregate Group Administrative State

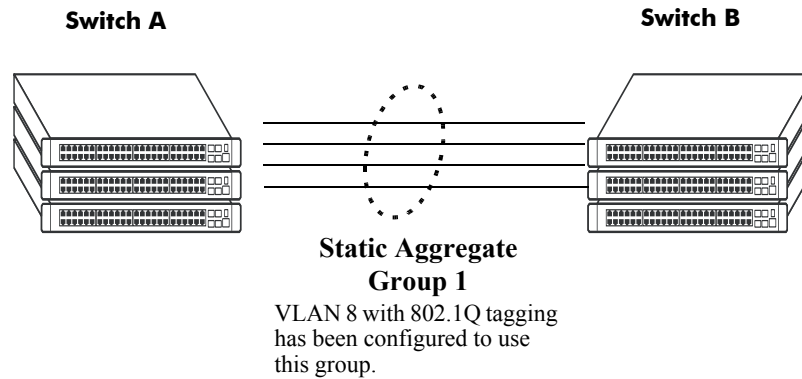
To disable a static aggregate group by entering **static linkagg** followed by the number of the group and **admin state disable**. For example, to disable static aggregate group 1 you would enter:

```
-> static linkagg 1 admin state disable
```

Application Example

Static link aggregation groups are treated by the switch's software the same way it treats individual physical ports. This section demonstrates this by providing a sample network configuration that uses static link aggregation along with other software features. In addition, a tutorial is provided that shows how to configure this sample network using Command Line Interface (CLI) commands.

The figure below shows VLAN 8, which has been configured on static aggregate 1 and uses 802.1Q tagging. The actual physical links connect ports 4/1, 4/2, 4/3, and 4/4 on Switch A to port 2/41, 2/42, 2/43, and 2/44 on Switch B.



Sample Network Using Static Link Aggregation

Follow the steps below to configure this network:

Note. Only the steps to configure the local (i.e., Switch A) are provided here since the steps to configure the remote (i.e., Switch B) would not be significantly different.

- 1 Configure static aggregate group 1 by entering **static linkagg 1 size 4** as shown below:

```
-> static linkagg 1 size 4
```

- 2 Assign ports 4/1, 4/2, 4/3, and 4/4 to static aggregate group 1 by entering:

```
-> static agg 4/1 agg num 1
-> static agg 4/2 agg num 1
-> static agg 4/3 agg num 1
-> static agg 4/4 agg num 1
```

- 3 Create VLAN 8 by entering:

```
-> vlan 8
```

- 4 Configure 802.1Q tagging with a tagging ID of 8 on static aggregate group 1 (on VLAN 8) by entering:

```
-> vlan 8 802.1q 1
```

5 Repeat steps 1 through 4 on Switch B. All the commands would be the same except you would substitute the appropriate port numbers.

Note. *Optional.* Use the **show 802.1q** command to display 802.1Q configurations.

Displaying Static Link Aggregation Configuration and Statistics

You can use Command Line Interface (CLI) **show** commands to display the current configuration and statistics of link aggregation. These commands include the following:

- show linkagg** Displays information on link aggregation groups.
show linkagg port Displays information on link aggregation ports.

When you use the **show linkagg** command without specifying the link aggregation group number and when you use the **show linkagg port** command without specifying the slot and port number these commands provide a “global” view of switch-wide link aggregate group and link aggregate port information, respectively.

For example, to display global statistics on all link aggregate groups (both static and dynamic) you would enter

```
-> show linkagg
```

A screen similar to the following would be displayed:

Number	Aggregate	SNMP Id	Size	Admin State	Oper State	Att/Sel Ports
1	Static	40000001	8	ENABLED	UP	2 2
2	Dynamic	40000002	4	ENABLED	DOWN	0 0
3	Dynamic	40000003	8	ENABLED	DOWN	0 2
4	Static	40000005	2	DISABLED	DOWN	0 0

When you use the **show linkagg** command with the link aggregation group number and when you use the **show linkagg port** command with the slot and port number these commands provide detailed views of link aggregate group and link aggregate port information, respectively. These detailed views provide excellent tools for diagnosing and troubleshooting problems.

For example, to display detailed statistics for port 1 in slot 4 that is attached to static link aggregate group 1 you would enter:

```
-> show linkagg port 4/1
```

A screen similar to the following would be displayed:

```
Static Aggregable Port
SNMP Id                : 4001,
Slot/Port              : 4/1,
Administrative State   : ENABLED,
Operational State     : DOWN,
Port State             : CONFIGURED,
Link State             : DOWN,
Selected Agg Number    : 2,
Port position in the aggregate : 0,
Primary port           : NONE
```

Note. See the “Link Aggregation Commands” chapter in the *OmniSwitch CLI Reference Guide* for complete documentation of **show** commands for link aggregation.

11 Configuring Dynamic Link Aggregation

Alcatel's dynamic link aggregation software allows you to combine several physical links into one large virtual link known as a link aggregation *group*. Using link aggregation can provide the following benefits:

- **Scalability.** You can configure up to 32 link aggregation groups that can consist of 2, 4, or 8 links in a single standalone switch or a stack consisting of up to eight OmniSwitch 6800 Series switches.
- **Reliability.** If one of the physical links in a link aggregate group goes down (unless it is the last one) the link aggregate group can still operate.
- **Ease of Migration.** Link aggregation can ease the transition from a 100 Mbps Ethernet backbones to Gigabit Ethernet backbones.

Note. This chapter only covers dynamic link aggregation for OmniSwitch 6800 Series switches. Please refer to the *OmniSwitch 7700/7800/8800 Network Configuration Guide* for information on configuring dynamic link aggregation on OmniSwitch 7700, 7800, and 8800 switches or to the *OmniSwitch 6624/6648 Network Configuration Guide* for information on configuring dynamic link aggregation on OmniSwitch 6600 Series switches.

In This Chapter

This chapter describes the basic components of dynamic link aggregation and how to configure them through the Command Line Interface (CLI). CLI commands are used in the configuration examples; for more details about the syntax of commands, see the *OmniSwitch CLI Reference Guide*.

Configuration procedures described in this chapter include:

- Configuring dynamic link aggregation groups on [page 11-10](#).
- Configuring ports so they can be aggregated in dynamic link aggregation groups on [page 11-12](#).
- Modifying dynamic link aggregation parameters on [page 11-14](#).

Note. You can also configure and monitor dynamic link aggregation with WebView, Alcatel's embedded web-based device management application. WebView is an interactive and easy-to-use GUI that can be launched from OmniVista or a web browser. Please refer to WebView's online documentation for more information on configuring and monitoring dynamic link aggregation with WebView.

Dynamic Link Aggregation Specifications

The table below lists specifications for dynamic aggregation groups and ports:

IEEE Specifications Supported	802.3ad — Aggregation of Multiple Link Segments
Maximum number of link aggregation groups per stack (composed of up to eight OmniSwitch 6800 Series switches)	32
Maximum number of link aggregation groups per standalone OmniSwitch 6800 Series switch	32
Range for optional group name	1 to 255 characters
Number of links per group supported	2, 4, or 8
Group actor admin key	0 to 65535
Group actor system priority	0 to 65535
Group partner system priority	0 to 65535
Group partner admin key	0 to 65535
Port actor admin key	0 to 65535
Port actor system priority	0 to 255
Port partner admin key	0 to 65535
Port partner admin system priority	0 to 255
Port actor port	0 to 65535
Port actor port priority	0 to 255
Port partner admin port	0 to 65535
Port partner admin port priority	0 to 255
CLI Command Prefix Recognition	All dynamic link aggregation configuration commands support prefix recognition. See the “Using the CLI” chapter in the <i>OmniSwitch 6800 Switch Management Guide</i> for more information.

Dynamic Link Aggregation Default Values

The table below lists default values for dynamic aggregate groups.

Parameter Description	Command	Default Value/Comments
Group Administrative State	lACP linkagg admin state	enabled
Group Name	lACP linkagg name	No name configured
Group Actor Administrative Key	lACP linkagg actor admin key	0
Group Actor System Priority	lACP linkagg actor system priority	0
Group Actor System ID	lACP linkagg actor system id	00:00:00:00:00:00
Group Partner System ID	lACP linkagg partner system id	00:00:00:00:00:00
Group Partner System Priority	lACP linkagg partner system priority	0
Group Partner Administrative Key	lACP linkagg partner admin key	0
Actor Port Administrative State	lACP agg actor admin state	active timeout aggregate
Actor Port System ID	lACP agg actor system id	00:00:00:00:00:00
Partner Port System Administrative State	lACP agg partner admin state	active timeout aggregate
Partner Port Admin System ID	lACP agg partner admin system id	00:00:00:00:00:00
Partner Port Administrative Key	lACP agg partner admin key	0
Partner Port Admin System Priority	lACP agg partner admin system priority	0
Actor Port Priority	lACP agg actor port priority	0
Partner Port Administrative Port	lACP agg partner admin port	0
Partner Port Priority	lACP agg partner admin port priority	0

Quick Steps for Configuring Dynamic Link Aggregation

Follow the steps below for a quick tutorial on configuring a dynamic aggregate link between two switches. Additional information on how to configure each command is given in the subsections that follow.

1 Create the dynamic aggregate group on the local (actor) switch with the **lacp linkagg size** command as shown below:

```
-> lacp linkagg 2 size 8
```

2 Configure ports with the same actor administrative key (which allows them to be aggregated) with the **lacp agg actor admin key** command. For example:

```
-> lacp agg 1/1 actor admin key 2
-> lacp agg 1/2 actor admin key 2
-> lacp agg 1/3 actor admin key 2
-> lacp agg 1/4 actor admin key 2
-> lacp agg 1/5 actor admin key 2
-> lacp agg 1/6 actor admin key 2
-> lacp agg 1/7 actor admin key 2
-> lacp agg 1/8 actor admin key 2
```

3 Create a VLAN for this dynamic link aggregate group with the **vlan** command. For example:

```
-> vlan 2 port default 2
```

4 Create the equivalent dynamic aggregate group on the remote (partner) switch with the **lacp linkagg size** command as shown below:

```
-> lacp linkagg 2 size 8
```

5 Configure ports (the number of ports should be less than or equal to the size value set in Step 4) with the **lacp agg actor admin key** command. For example:

```
-> lacp agg 2/9 actor admin key 2
-> lacp agg 2/10 actor admin key 2
-> lacp agg 2/11 actor admin key 2
-> lacp agg 2/12 actor admin key 2
-> lacp agg 2/13 actor admin key 2
-> lacp agg 2/14 actor admin key 2
-> lacp agg 2/15 actor admin key 2
-> lacp agg 2/16 actor admin key 2
```

6 Create a VLAN for this dynamic link aggregate group with the **vlan** command. For example:

```
-> vlan 2 port default 2
```

Note. As an option, you can verify your dynamic aggregation group settings with the **show linkagg** command on either the actor or partner switch. For example:

```
-> show linkagg 2
Dynamic Aggregate
SNMP Id           : 40000002,
Aggregate Number  : 2,
SNMP Descriptor   : Dynamic Aggregate Number 2 ref 40000002 size 8,
Name              : ,
Admin State       : ENABLED,
Operational State : UP,
Aggregate Size    : 8,
Number of Selected Ports : 8,
Number of Reserved Ports : 8,
Number of Attached Ports : 8,
Primary Port      : 1/1,
LACP
MACAddress        : [00:1f:cc:00:00:00],
Actor System Id   : [00:20:da:81:d5:b0],
Actor System Priority : 0,
Actor Admin Key   : 1,
Actor Oper Key    : 0,
Partner System Id : [00:20:da:81:d5:b1],
Partner System Priority : 0,
Partner Admin Key : 2,
Partner Oper Key  : 0
```

You can also use the **show linkagg port** port command to display information on specific ports. See [“Displaying Dynamic Link Aggregation Configuration and Statistics” on page 11-33](#) for more information on **show** commands.

An example of what these commands look like entered sequentially on the command line on the actor switch:

```
-> lacp linkagg 2 size 8
-> lacp agg 1/1 actor admin key 2
-> lacp agg 1/2 actor admin key 2
-> lacp agg 1/3 actor admin key 2
-> lacp agg 1/4 actor admin key 2
-> lacp agg 1/5 actor admin key 2
-> lacp agg 1/6 actor admin key 2
-> lacp agg 1/7 actor admin key 2
-> lacp agg 1/8 actor admin key 2
-> vlan 2 port default 2
```

An example of what these commands look like entered sequentially on the command line on the partner switch:

```
-> lacp linkagg 2 size 8
-> lacp agg 2/9 actor admin key 2
-> lacp agg 2/10 actor admin key 2
-> lacp agg 2/11 actor admin key 2
-> lacp agg 2/12 actor admin key 2
-> lacp agg 2/13 actor admin key 2
-> lacp agg 2/14 actor admin key 2
-> lacp agg 2/15 actor admin key 2
-> lacp agg 2/16 actor admin key 2
-> vlan 2 port default 2
```


Dynamic Link Aggregation Overview

Link aggregation allows you to combine 2, 4, or 8 physical connections into large virtual connections known as link aggregation *groups*. You can create up to 32 link aggregation groups on a standalone switch and up to 32 groups in a stack consisting of up to 8 OmniSwitch 6800 Series switches.

You can create Virtual LANs (VLANs), configure Quality of Service (QoS) conditions, 802.1Q framing, and other networking features on link aggregation groups because switch software treats these virtual links just like physical links. (See “[Relationship to Other Features](#)” on page 11-9 for more information on how link aggregation interacts with other software features.)

Link aggregation groups are identified by unique MAC addresses, which are created by the switch but can be modified by the user at any time. Load balancing for Layer 2 non IP packets is on a MAC address basis and for IP packets the balancing algorithm uses IP address as well. Ports *must* be the same speed within the same aggregate group.

Alcatel’s link aggregation software allows you to configure the following two different types of link aggregation groups:

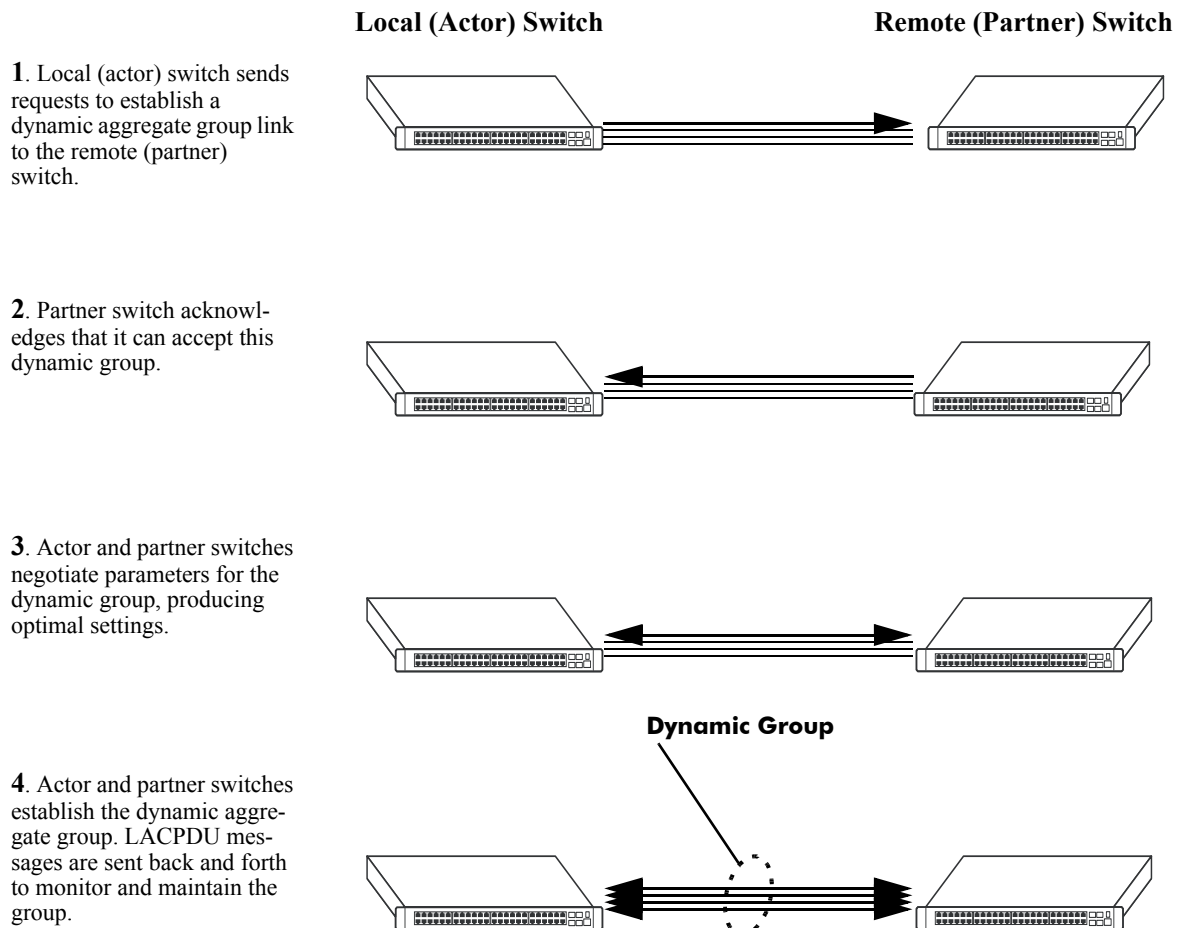
- Static link aggregate (OmniChannel) groups
- Dynamic link aggregate groups

This chapter describes dynamic link aggregation. For information on static link aggregation (also known as *OmniChannel*), please refer to [Chapter 10, “Configuring Static Link Aggregation.”](#)

Dynamic Link Aggregation Operation

Dynamic aggregate groups are virtual links between two nodes consisting of 2, 4, or 8 10 Mbps, 100 Mbps, or 1 Gbps fixed physical links. Dynamic aggregate groups use the standard IEEE 802.3ad Link Aggregation Control Protocol (LACP) to dynamically establish the best possible configuration for the group. This task is accomplished by special Link Aggregation Control Protocol Data Unit (LACPDU) frames that are sent and received by switches on both sides of the link to monitor and maintain the dynamic aggregate group.

The figure on the following page shows a dynamic aggregate group that has been configured between Switch A and Switch B. The dynamic aggregate group links four ports on Switch A to four ports on Switch B.



Example of a Dynamic Aggregate Group Network

Dynamic aggregate groups can be created between two OmniSwitch 6800 Series switches; between an OmniSwitch 6800 Series switch and an OmniSwitch 7700/7800, 8800 or OmniSwitch 6600 Series switch; or between an OmniSwitch 6800 Series switch and another vendor's switch if that vendor supports IEEE 802.3ad LACP.

See [“Configuring Dynamic Link Aggregate Groups” on page 11-10](#) for information on using Command Line Interface (CLI) commands to configure dynamic aggregate groups and see [“Displaying Dynamic Link Aggregation Configuration and Statistics” on page 11-33](#) for information on using the CLI to monitor dynamic aggregate groups.

Relationship to Other Features

Link aggregation groups are supported by other switch software features. For example, you can configure 802.1Q tagging on link aggregation groups in addition to configuring it on individual ports. The following features have CLI commands or command parameters that support link aggregation:

- **VLANs.** For more information on VLANs see [Chapter 4, “Configuring VLANs.”](#)
- **802.1Q.** For more information on configuring and monitoring 802.1Q see [Chapter 9, “Configuring 802.1Q.”](#)
- **Spanning Tree.** For more information on Spanning Tree see [Chapter 5, “Configuring Spanning Tree Parameters.”](#)

Note. See [“Application Examples” on page 11-29](#) for tutorials on using link aggregation with other features.

Configuring Dynamic Link Aggregate Groups

This section describes how to use Alcatel's Command Line Interface (CLI) commands to create, modify, and delete dynamic aggregate groups. See [“Configuring Mandatory Dynamic Link Aggregate Parameters” on page 11-10](#) for more information.

Note. See [“Quick Steps for Configuring Dynamic Link Aggregation” on page 11-4](#) for a brief tutorial on configuring these mandatory parameters.

Alcatel's link aggregation software is preconfigured with the default values for dynamic aggregate groups and ports shown in the table in [“Dynamic Link Aggregation Default Values” on page 11-3](#). For most configurations, using only the steps described in [“Creating and Deleting a Dynamic Aggregate Group” on page 11-11](#) will be necessary to configure a dynamic link aggregate group. However, if you need to modify any of the parameters listed in the table on page 11-3, please see [“Modifying Dynamic Link Aggregate Group Parameters” on page 11-14](#) for more information.

Note. See the “Link Aggregation Commands” chapter in the *OmniSwitch CLI Reference Guide* for complete documentation of **show** commands for link aggregation.

Configuring Mandatory Dynamic Link Aggregate Parameters

When configuring LACP link aggregates on a switch you must perform the following steps:

- 1 Create the Dynamic Aggregate Groups on the Local (Actor) and Remote (Partner) Switches.** To create a dynamic aggregate group use the **lacp linkagg size** command, which is described in [“Creating and Deleting a Dynamic Aggregate Group” on page 11-11](#).
- 2 Configure the Same Administrative Key on the Ports You Want to Join the Dynamic Aggregate Group.** To configure ports with the same administrative key (which allows them to be aggregated) use the **lacp agg actor admin key** command, which is described in [“Configuring Ports to Join and Removing Ports in a Dynamic Aggregate Group” on page 11-12](#).

Note. Depending on the needs of your network you may need to configure additional parameters. Commands to configure optional dynamic link aggregate parameters are described in [“Modifying Dynamic Link Aggregate Group Parameters” on page 11-14](#).

Creating and Deleting a Dynamic Aggregate Group

The following subsections describe how to create and delete dynamic aggregate groups with the **lACP linkagg size** command.

Creating a Dynamic Aggregate Group

To configure a dynamic aggregate group enter **lACP linkagg**, followed by the user-configured dynamic aggregate number (which can be from 0 to 29), **size**, and the maximum number of links that will belong to this dynamic aggregate group, which can be 2, 4, or 8. For example, to configure dynamic aggregate group 2 consisting of eight (8) links enter:

```
-> lACP linkagg 2 size 8
```

You can create up to 32 link aggregation (both static and dynamic) groups can be configured on a stand-alone switch or a stack consisting of up to eight OmniSwitch 6800 Series switches. In addition, you can also specify optional parameters shown in the table below. These parameters must be entered after **size** and the user-specified number of links.

lACP linkagg size keywords

name	admin state enable	partner admin key
actor system priority	admin state disable	actor admin key
partner system priority	actor system id	partner system id

For example, to create a dynamic aggregate group with aggregate number 3 consisting of two ports called “aggregate1” that is administratively disabled, enter:

```
-> lACP linkagg 3 size 2 name aggregate1 admin state disable
```

Note. The optional keywords for this command may be entered in any order as long as they are entered after **size** and the user-specified number of links.

Deleting a Dynamic Aggregate Group

To remove a dynamic aggregation group configuration from a switch use the **no** form of the **lACP linkagg size** command by entering **no lACP linkagg** followed by its dynamic aggregate group number.

For example, to delete dynamic aggregate group 2 from a switch’s configuration you would enter:

```
-> no lACP linkagg 2
```

Note. You cannot delete a dynamic aggregate group if it has any attached ports. To remove attached ports you must disable the dynamic aggregate group with the **lACP linkagg admin state** command, which is described in “[Disabling a Dynamic Aggregate Group](#)” on page 11-15.

Configuring Ports to Join and Removing Ports in a Dynamic Aggregate Group

The following subsections describe how to configure ports with the same administrative key (which allows them to be aggregated) or to remove them from a dynamic aggregate group with the **lACP agg actor admin key** command.

Configuring Ports To Join a Dynamic Aggregate Group

To configure ports with the same administrative key (which allows them to be aggregated) enter **lACP agg** followed by the slot number, a slash (/), the port number, **actor admin key**, and the user-specified actor administrative key (which can range from 0 to 65535). Ports must be the same speed (i.e., all 10 Mbps, all 100 Mbps, or all 1 Gbps).

For example, to configure ports 1, 2, and 3 in slot 4 with an administrative key of 10 you would enter:

```
-> lACP agg 4/1 actor admin key 10
-> lACP agg 4/2 actor admin key 10
-> lACP agg 4/3 actor admin key 10
```

Note. A port may belong to only one aggregate group. In addition, mobile ports cannot be aggregated. See [Chapter 6, “Assigning Ports to VLANs,”](#) for more information on mobile ports.

You must execute the **lACP agg actor admin key** command on all ports in a dynamic aggregate group. If not, the ports will be unable to join the group.

In addition, you can also specify optional parameters shown in the table below. These keywords must be entered after actor admin key and the user-specified actor administrative key value.

lACP agg actor admin key keywords

actor admin state	partner admin state	actor system id
actor system priority	partner admin system id	partner admin key
partner admin system priority	actor port priority	partner admin port
partner admin port priority		

Note. The **actor admin state** and **partner admin state** keywords have additional parameters, which are described in [“Modifying the Actor Port System Administrative State”](#) on page 11-19 and [“Modifying the Partner Port System Administrative State”](#) on page 11-23, respectively.

All of the optional keywords listed above for this command may be entered in any order as long as they appear after the **actor admin key** keywords and their user-specified value.

For example, to configure actor administrative key of 10, a local system ID (MAC address) of 00:20:da:06:ba:d3, and a local priority of 65535 to slot 4 port 1, enter:

```
-> lACP agg 4/1 actor admin key 10 actor system id 00:20:da:06:ba:d3 actor
system priority 65535
```

As an option, you can use the **ethernet**, **fastethernet**, and **gigaethernet** keywords before the slot and port number to document the interface type or make the command look consistent with early-generation Alcatel CLI syntax. For example, to configure actor administrative key of 10 and to document that the port is a 10 Mbps Ethernet port to slot 4 port 1, enter:

```
-> lacp agg ethernet 4/1 actor admin key 10
```

Note. The **ethernet**, **fastethernet**, and **gigaethernet** keywords do not modify a port's configuration. See [Chapter 1, "Configuring Ethernet Ports,"](#) for information on configuring Ethernet ports.

Removing Ports from a Dynamic Aggregate Group

To remove a port from a dynamic aggregate group, use the **no** form of the **lacp agg actor admin key** command by entering **lacp agg no** followed by the slot number, a slash (/), and the port number.

For example, to remove port 4 in slot 4 from any dynamic aggregate group you would enter:

```
-> lacp agg no 4/4
```

Ports must be deleted in the reverse order in which they were configured. For example, if port 9 through 16 were configured to join dynamic aggregate group 2 you must first delete port 16, then port 15, and so forth. The following is an example of how to delete ports in the proper sequence from the console

```
-> lacp agg no 4/24  
-> lacp agg no 4/23  
-> lacp agg no 4/22
```

Modifying Dynamic Link Aggregate Group Parameters

The table on [page 11-3](#) lists default group and port settings for Alcatel's dynamic link aggregation software. These parameters ensure compliance with the IEEE 802.3ad specification. For most networks, these default values do not need to be modified or will be modified automatically by switch software. However, if you need to modify any of these default settings see the following sections to modify parameters for:

- Dynamic aggregate groups beginning on [page 11-14](#)
- Dynamic aggregate actor ports beginning on [page 11-18](#)
- Dynamic aggregate partner ports beginning on [page 11-23](#).

Note. You *must* create a dynamic aggregate group before you can modify group or port parameters. See “[Configuring Dynamic Link Aggregate Groups](#)” on [page 11-10](#) for more information.

Modifying Dynamic Aggregate Group Parameters

This section describes how to modify the following dynamic aggregate group parameters:

- Group name (see “[Modifying the Dynamic Aggregate Group Name](#)” on [page 11-14](#))
- Group administrative state (see “[Modifying the Dynamic Aggregate Group Administrative State](#)” on [page 11-15](#))
- Group local (actor) switch actor administrative key (see “[Configuring and Deleting the Dynamic Aggregate Group Actor Administrative Key](#)” on [page 11-15](#))
- Group local (actor) switch system priority (see “[Modifying the Dynamic Aggregate Group Actor System Priority](#)” on [page 11-16](#))
- Group local (actor) switch system ID (see “[Modifying the Dynamic Aggregate Group Actor System ID](#)” on [page 11-16](#))
- Group remote (partner) administrative key (see “[Modifying the Dynamic Aggregate Group Partner Administrative Key](#)” on [page 11-17](#))
- Group remote (partner) system priority (see “[Modifying the Dynamic Aggregate Group Partner System Priority](#)” on [page 11-17](#))
- Group remote (partner) switch system ID (see “[Modifying the Dynamic Aggregate Group Partner System ID](#)” on [page 11-18](#))

Modifying the Dynamic Aggregate Group Name

The following subsections describe how to configure and remove a dynamic aggregate group name with the **lacp linkagg name** command.

Configuring a Dynamic Aggregate Group name

To configure a dynamic aggregate group name enter **lacp linkagg** followed by the dynamic aggregate group number, **name**, and the user-specified name, which can be from 1 to 255 characters long.

For example, to name dynamic aggregate group 4 “Engineering” you would enter:

```
-> lacp linkagg 4 name Engineering
```

Note. If you want to specify spaces within a name, the name must be enclosed with quotes. For example:

```
-> lacp linkagg 4 name "Engineering Lab"
```

Deleting a Dynamic Aggregate Group Name

To remove a dynamic aggregate group name from a switch’s configuration use the **no** form of the **lacp linkagg name** command by entering **lacp linkagg** followed by the dynamic aggregate group number and **no name**.

For example, to remove any user-configured name from dynamic aggregate group 4 you would enter:

```
-> lacp linkagg 4 no name
```

Modifying the Dynamic Aggregate Group Administrative State

By default, the dynamic aggregate group administrative state is enabled. The following subsections describe how to enable and disable a dynamic aggregate group’s administrative state with the **lacp linkagg admin state** command.

Enabling a Dynamic Aggregate Group

To enable the dynamic aggregate group administrative state enter **lacp linkagg** followed by the dynamic aggregate group number and **admin state enable**. For example, to enable dynamic aggregate group 4 you would enter:

```
-> lacp linkagg 4 admin state enable
```

Disabling a Dynamic Aggregate Group

To disable a dynamic aggregate group’s administrative state use the **lacp linkagg admin state** command by entering **lacp linkagg** followed by the dynamic aggregate group number and **admin state disable**.

For example, to disable dynamic aggregate group 4 you would enter:

```
-> lacp linkagg 4 admin state disable
```

Configuring and Deleting the Dynamic Aggregate Group Actor Administrative Key

The following subsections describe how to configure and delete a dynamic aggregate group actor administrative key with the **lacp linkagg actor admin key** command.

Configuring a Dynamic Aggregate Actor Administrative Key

To configure the dynamic aggregate group actor switch administrative key enter **lacp linkagg** followed by the dynamic aggregate group number, **actor admin key**, and the value for the administrative key, which can be 0 through 65535.

For example, to configure dynamic aggregate group 4 with an administrative key of 10 you would enter:

```
-> lacp linkagg 4 actor admin key 10
```

Deleting a Dynamic Aggregate Actor Administrative Key

To remove an actor switch administrative key from a dynamic aggregate group's configuration use the **no** form of the **lacp linkagg actor admin key** command by entering **lacp linkagg** followed by the dynamic aggregate group number, and **no actor admin key**.

For example, to remove an administrative key from dynamic aggregate group 4 you would enter:

```
-> lacp linkagg 4 no actor admin key
```

Modifying the Dynamic Aggregate Group Actor System Priority

By default, the dynamic aggregate group actor system priority is 0. The following subsections describe how to configure a user-specified value and how to restore the value to its default value with the **lacp linkagg actor system priority** command.

Configuring a Dynamic Aggregate Group Actor System Priority

You can configure a user-specified dynamic aggregate group actor system priority value to a value ranging from 0 to 65535 by entering **lacp linkagg** followed by the dynamic aggregate group number, **actor system priority**, and the new priority value.

For example, to change the actor system priority of dynamic aggregate group 4 to 2000 you would enter:

```
-> lacp linkagg 4 actor system priority 2000
```

Restoring the Dynamic Aggregate Group Actor System Priority

To restore the dynamic aggregate group actor system priority to its default (i.e., 0) value use the **no** form of the **lacp linkagg actor system priority** command by entering **lacp linkagg** followed by the dynamic aggregate group number and **no actor system priority**.

For example, to restore the actor system priority to its default value on dynamic aggregate group 4 you would enter:

```
-> lacp linkagg 4 no actor system priority
```

Modifying the Dynamic Aggregate Group Actor System ID

By default, the dynamic aggregate group actor system ID (MAC address) is 00:00:00:00:00:00. The following subsections describe how to configure a user-specified value and how to restore the value to its default value with the **lacp linkagg actor system id** command.

Configuring a Dynamic Aggregate Group Actor System ID

You can configure a user-specified dynamic aggregate group actor system ID by entering **lacp linkagg** followed by the dynamic aggregate group number, **actor system id**, and the user-specified MAC address (in the hexadecimal format of *xx:xx:xx:xx:xx:xx*), which is used as the system ID.

For example, to configure the system ID on dynamic aggregate group 4 as 00:20:da:81:d5:b0 you would enter:

```
-> lacp linkagg 4 actor system id 00:20:da:81:d5:b0
```

Restoring the Dynamic Aggregate Group Actor System ID

To remove the user-configured actor switch system ID from a dynamic aggregate group's configuration use the **no** form of the **lacp linkagg actor system id** command by entering **lacp linkagg** followed by the dynamic aggregate group number and **no actor system id**.

For example, to remove the user-configured system ID from dynamic aggregate group 4 you would enter:

```
-> lacp linkagg 4 no actor system id
```

Modifying the Dynamic Aggregate Group Partner Administrative Key

By default, the dynamic aggregate group partner administrative key (i.e., the administrative key of the partner switch) is 0. The following subsections describe how to configure a user-specified value and how to restore the value to its default value with the **lacp linkagg partner admin key** command.

Configuring a Dynamic Aggregate Group Partner Administrative Key

You can modify the dynamic aggregate group partner administrative key to a value ranging from 0 to 65535 by entering **lacp linkagg** followed by the dynamic aggregate group number, **partner admin key**, and the value for the administrative key, which can be 0 through 65535.

For example, to set the partner administrative key to 4 on dynamic aggregate group 4 you would enter:

```
-> lacp linkagg 4 partner admin key 10
```

Restoring the Dynamic Aggregate Group partner Administrative Key

To remove a partner administrative key from a dynamic aggregate group's configuration use the **no** form of the **lacp linkagg partner admin key** command by entering **lacp linkagg** followed by the dynamic aggregate group number, and **no partner admin key**.

For example, to remove the user-configured partner administrative key from dynamic aggregate group 4 you would enter:

```
-> lacp linkagg 4 no partner admin key
```

Modifying the Dynamic Aggregate Group Partner System Priority

By default, the dynamic aggregate group partner system priority is 0. The following subsections describe how to configure a user-specified value and how to restore the value to its default value with the **lacp linkagg partner system priority** command.

Configuring a Dynamic Aggregate Group Partner System Priority

You can modify the dynamic aggregate group partner system priority to a value ranging from 0 to 65535 by entering **lacp linkagg** followed by the dynamic aggregate group number, **partner system priority**, and the new priority value.

For example, to set the partner system priority on dynamic aggregate group 4 to 2000 you would enter:

```
-> lacp linkagg 4 partner system priority 2000
```

Restoring the Dynamic Aggregate Group Partner System Priority

To restore the dynamic aggregate group partner system priority to its default (i.e., 0) value use the **no** form of the **lacp linkagg partner system priority** command by entering **lacp linkagg** followed by the dynamic aggregate group number and **no partner system priority**.

For example, to reset the partner system priority of dynamic aggregate group 4 to its default value you would enter:

```
-> lacp linkagg 4 no partner system priority
```

Modifying the Dynamic Aggregate Group Partner System ID

By default, the dynamic aggregate group partner system ID is 00:00:00:00:00:00. The following subsections describe how to configure a user-specified value and how to restore the value to its default value with the **lacp linkagg partner system id** command.

Configuring a Dynamic Aggregate Group Partner System ID

You can configure the dynamic aggregate group partner system ID by entering **lacp linkagg** followed by the dynamic aggregate group number, **partner system id**, and the user-specified MAC address (in the hexadecimal format of `xx:xx:xx:xx:xx:xx`), which is used as the system ID.

For example, to configure the partner system ID as 00:20:da:81:d5:b0 on dynamic aggregate group 4 you would enter:

```
-> lacp linkagg 4 partner system id 00:20:da:81:d5:b0
```

Restoring the Dynamic Aggregate Group Partner System ID

To remove the user-configured partner switch system ID from the dynamic aggregate group's configuration use the **no** form of the **lacp linkagg partner system id** command by entering **lacp linkagg** followed by the dynamic aggregate group number and **no partner system id**.

For example, to remove the user-configured partner system ID from dynamic aggregate group 4 you would enter:

```
-> lacp linkagg 4 no partner system id
```

Modifying Dynamic Link Aggregate Actor Port Parameters

This section describes how to modify the following dynamic aggregate actor port parameters:

- Actor port administrative state (see [“Modifying the Actor Port System Administrative State” on page 11-19](#))
- Actor port system ID (see [“Modifying the Actor Port System ID” on page 11-20](#))
- Actor port system priority (see [“Modifying the Actor Port System Priority” on page 11-21](#))
- Actor port priority (see [“Modifying the Actor Port Priority” on page 11-22](#))

Note. See [“Configuring Ports to Join and Removing Ports in a Dynamic Aggregate Group” on page 11-12](#) for information on modifying a dynamic aggregate group administrative key.

All of the commands to modify actor port parameters allow you to add the **ethernet**, **fastethernet**, and **gigaethernet** keywords before the slot and port number to document the interface type or make the command look consistent with early-generation Alcatel CLI syntax. However, these keywords do not modify a port's configuration. See [Chapter 1, “Configuring Ethernet Ports,”](#) for information on configuring Ethernet ports.

Note. A port may belong to only one aggregate group. In addition, mobile ports cannot be aggregated. See [Chapter 6, “Assigning Ports to VLANs,”](#) for more information on mobile ports.

Modifying the Actor Port System Administrative State

The system administrative state of a dynamic aggregate group actor port is indicated by bit settings in Link Aggregation Control Protocol Data Unit (LACPDU) frames sent by the port. By default, bits 0 (indicating that the port is active), 1 (indicating that short timeouts are used for LACPDU frames), and 2 (indicating that this port is available for aggregation) are set in LACPDU frames.

The following subsections describe how to configure user-specified values and how to restore them to their default values with the **lacp agg actor admin state** command.

Configuring Actor Port Administrative State Values

To configure an LACP actor port’s system administrative state values by entering **lacp agg**, the slot number, a slash (/), the port number, **actor admin state**, and one or more of the keywords shown in the table below *or none*:

lacp agg actor admin state Keyword	Definition
active	Specifies that bit 0 in LACPDU frames is set, which indicates that the link is able to exchange LACPDU frames. By default, this bit is set.
timeout	Specifies that bit 1 in LACPDU frames is set, which indicates that a short timeout is used for LACPDU frames. When this bit is disabled, a long timeout is used for LACPDU frames. By default, this bit is set.
aggregate	Specifies that bit 2 in LACPDU frames is set, which indicates that the system considers this link to be a potential candidate for aggregation. If this bit is not set, the system considers the link to be individual (it can only operate as a single link). By default, this bit is set.
synchronize	Specifying this keyword has no effect because the system always determines its value. When this bit (bit 3) is set by the system, the port is allocated to the correct dynamic aggregation group. If this bit is not set by the system, the port is not allocated to the correct dynamic aggregation group.
collect	Specifying this keyword has no effect because the system always determines its value. When this bit (bit 4) is set by the system, incoming LACPDU frames are collected from the individual ports that make up the dynamic aggregate group.
distribute	Specifying this keyword has no effect because the system always determines its value. When this bit (bit 5) is set by the system, distributing outgoing frames on the port is disabled.
default	Specifying this keyword has no effect because the system always determines its value. When this bit (bit 6) is set by the system, it indicates that the actor is using defaulted partner information administratively configured for the partner.

lACP agg actor admin state Keyword	Definition
expire	Specifying this keyword has no effect because the system always determines its value. When this bit (bit 7) is set by the system, the actor cannot receive LACPDU frames.

Note. Specifying **none** removes all administrative states from the LACPDU configuration. For example:

```
-> lACP agg 5/49 actor admin state none
```

For example, to set bits 0 (**active**) and 2 (**aggregate**) on dynamic aggregate actor port 49 in slot 5 you would enter:

```
-> lACP agg 5/49 actor admin state active aggregate
```

As an option you can use the **ethernet**, **fastethernet**, and **gigaethernet** keywords before the slot and port number to document the interface type or make the command look consistent with early-generation Alcatel CLI syntax. For example, to set bits 0 (**active**) and 2 (**aggregate**) on dynamic aggregate actor port 49 in slot 5 and document that the port is a Gigabit Ethernet port you would enter:

```
-> lACP agg gigaethernet 5/49 actor admin state active aggregate
```

Restoring Actor Port Administrative State Values

To restore LACPDU bit settings to their default values use **lACP agg actor admin state** command by entering **no** before the **active**, **timeout**, and **aggregate** keywords.

For example, to restore bits 0 (**active**) and 2 (**aggregate**) to their default settings on dynamic aggregate actor port 2 in slot 5 you would enter:

```
-> lACP agg 5/2 actor admin state no active no aggregate
```

Note. Since individual bits with the LACPDU frame are set with the **lACP agg actor admin state** command you can set some bits on and restore other bits within the same command. For example, if you wanted to restore bit 2 (**aggregate**) to its default settings and set bit 0 (**active**) on dynamic aggregate actor port 49 in slot 5 you would enter:

```
-> lACP agg 5/49 actor admin state active no aggregate
```

Modifying the Actor Port System ID

By default, the actor port system ID (i.e., the MAC address used as the system ID on dynamic aggregate actor ports) is 00:00:00:00:00:00. The following subsections describe how to configure a user-specified value and how to restore the value to its default value with the **lACP agg actor system id** command.

Configuring an Actor Port System ID

You can configure the actor port system ID by entering **lACP agg**, the slot number, a slash (/), the port number, **actor system id**, and the user specified actor port system ID (i.e., MAC address) in the hexadecimal format of xx:xx:xx:xx:xx:xx.

For example, to modify the system ID of dynamic aggregate actor port 3 in slot 7 to **00:20:da:06:ba:d3** you would enter:

```
-> lacp agg 7/3 actor system id 00:20:da:06:ba:d3
```

As an option, you can use the **ethernet**, **fastethernet**, and **gigaethernet** keywords before the slot and port number to document the interface type or make the command look consistent with early-generation Alcatel CLI syntax. For example, to modify the system ID of dynamic aggregate actor port 3 in slot 7 to **00:20:da:06:ba:d3** and document that the port is 10 Mbps Ethernet you would enter:

```
-> lacp agg ethernet 7/3 actor system id 00:20:da:06:ba:d3
```

Restoring the Actor Port System ID

To remove a user-configured system ID from a dynamic aggregate group actor port's configuration use the **no** form of the **lacp agg actor system id** command by entering **lacp agg**, the slot number, a slash (/), the port number, and **no actor system id**.

For example, to remove a user-configured system ID from dynamic aggregate actor port 3 in slot 7 you would enter:

```
-> lacp agg 7/3 no actor system id
```

Modifying the Actor Port System Priority

By default, the actor system priority is 0. The following subsections describe how to configure a user-specified value and how to restore the value to its default value with the **lacp agg actor system priority** command.

Configuring an Actor Port System Priority

You can configure the actor system priority to a value ranging from 0 to 255 by entering **lacp agg**, the slot number, a slash (/), the port number, **actor system priority**, and the user-specified actor port system priority.

For example, to modify the system priority of dynamic aggregate actor port 5 in slot 2 to 200 you would enter:

```
-> lacp agg 2/5 actor system priority 200
```

As an option, you can use the **ethernet**, **fastethernet**, and **gigaethernet** keywords before the slot and port number to document the interface type or make the command look consistent with early-generation Alcatel CLI syntax. For example, to modify the system priority of dynamic aggregate actor port 5 in slot 2 to 200 and document that the port is a fast Ethernet port you would enter:

```
-> lacp agg fastethernet 2/5 actor system priority 200
```

Restoring the Actor Port System Priority

To remove a user-configured actor port system priority from a dynamic aggregate group actor port's configuration use the **no** form of the **lacp agg actor system priority** command by entering **lacp agg**, the slot number, a slash (/), the port number, and **no actor system priority**.

For example, to remove a user-configured system priority from dynamic aggregate actor port 5 in slot 2 you would enter:

```
-> lacp agg 2/5 no actor system priority
```


Modifying the Actor Port Priority

By default, the actor port priority (used to converge dynamic key changes) is 0. The following subsections describe how to configure a user-specified value and how to restore the value to its default value with the **lacp agg actor port priority** command.

Configuring the Actor Port Priority

You can configure the actor port priority to a value ranging from 0 to 255 by entering **lacp agg**, the slot number, a slash (/), the port number, **actor port priority**, and the user-specified actor port priority.

For example, to modify the actor port priority of dynamic aggregate actor port 1 in slot 2 to 100 you would enter:

```
-> lacp agg 2/1 actor port priority 100
```

As an option, you can use the **ethernet**, **fastethernet**, and **gigaethernet** keywords before the slot and port number to document the interface type or make the command look consistent with early-generation Alcatel CLI syntax. For example, to modify the actor port priority of dynamic aggregate actor port 1 in slot 2 to 100 and document that the port is a fast Ethernet port you would enter:

```
-> lacp agg fastethernet 2/1 actor port priority 100
```

Restoring the Actor Port Priority

To remove a user configured actor port priority from a dynamic aggregate group actor port's configuration use the **no** form of the **lacp agg actor port priority** command by entering **lacp agg**, the slot number, a slash (/), the port number, and **no actor port priority**.

For example, to remove a user-configured actor priority from dynamic aggregate actor port 1 in slot 2 you would enter:

```
-> lacp agg 2/1 no actor port priority
```


Modifying Dynamic Aggregate Partner Port Parameters

This section describes how to modify the following dynamic aggregate partner port parameters:

- Partner port system administrative state (see “[Modifying the Partner Port System Administrative State](#)” on page 11-23)
- Partner port administrative key (see “[Modifying the Partner Port Administrative Key](#)” on page 11-25)
- Partner port system ID (see “[Modifying the Partner Port System ID](#)” on page 11-25)
- Partner port system priority (see “[Modifying the Partner Port System Priority](#)” on page 11-26)
- Partner port administrative state (see “[Modifying the Partner Port Administrative Status](#)” on page 11-27)
- Partner port priority (see “[Modifying the Partner Port Priority](#)” on page 11-27)

All of the commands to modify partner port parameters allow you to add the **ethernet**, **fastethernet**, and **gigaethernet** keywords before the slot and port number to document the interface type or make the command look consistent with early-generation Alcatel CLI syntax. However, these keywords do not modify a port’s configuration. See [Chapter 1, “Configuring Ethernet Ports,”](#) for information on configuring Ethernet ports.

Note. A port may belong to only one aggregate group. In addition, mobile ports cannot be aggregated. See [Chapter 6, “Assigning Ports to VLANs,”](#) for more information on mobile ports.

Modifying the Partner Port System Administrative State

The system administrative state of a dynamic aggregate group partner (i.e., remote switch) port is indicated by bit settings in Link Aggregation Control Protocol Data Unit (LACPDU) frames sent by this port. By default, bits 0 (indicating that the port is active), 1 (indicating that short timeouts are used for LACPDU frames), and 2 (indicating that this port is available for aggregation) are set in LACPDU frames.

The following subsections describe how to configure user-specified values and how to restore them to their default values with the **lacp agg partner admin state** command.

Configuring Partner Port System Administrative State Values

To configure the dynamic aggregate partner port’s system administrative state values by entering **lacp agg**, the slot number, a slash (/), the port number, **partner admin state**, and one or more of the keywords shown in the table below *or none*:

Keyword	Definition
active	Specifies that bit 0 in LACPDU frames is set, which indicates that the link is able to exchange LACPDU frames. By default, this bit is set.
timeout	Specifies that bit 1 in LACPDU frames is set, which indicates that a short timeout is used for LACPDU frames. When this bit is disabled, a long timeout is used for LACPDU frames. By default, this bit is set.
aggregate	Specifies that bit 2 in LACPDU frames is set, which indicates that the system considers this link to be a potential candidate for aggregation. If this bit is not set, the system considers the link to be individual (it can only operate as a single link). By default, this bit is set.

Keyword	Definition
synchronize	Specifies that bit 3 in the partner state octet is enabled. When this bit is set, the port is allocated to the correct dynamic aggregation group. If this bit is not enabled, the port is not allocated to the correct aggregation group. By default, this value is disabled.
collect	Specifying this keyword has no effect because the system always determines its value. When this bit (bit 4) is set by the system, incoming LACPDU frames are collected from the individual ports that make up the dynamic aggregate group.
distribute	Specifying this keyword has no effect because the system always determines its value. When this bit (bit 5) is set by the system, distributing outgoing frames on the port is disabled.
default	Specifying this keyword has no effect because the system always determines its value. When this bit (bit 6) is set by the system, it indicates that the partner is using defaulted actor information administratively configured for the partner.
expire	Specifying this keyword has no effect because the system always determines its value. When this bit (bit 7) is set by the system, the actor cannot receive LACPDU frames.

Note. Specifying **none** removes all administrative states from the LACPDU configuration. For example:

```
-> lacp agg 7/49 partner admin state none
```

For example, to set bits 0 (**active**) and 2 (**aggregate**) on dynamic aggregate partner port 49 in slot 7 you would enter:

```
-> lacp agg 7/49 partner admin state active aggregate
```

As an option, you can use the **ethernet**, **fastethernet**, and **gigaethernet** keywords before the slot and port number to document the interface type or make the command look consistent with early-generation Alcatel CLI syntax. For example, to set bits 0 (**active**) and 2 (**aggregate**) on dynamic aggregate partner port 49 in slot 7 and document that the port is a Gigabit Ethernet port you would enter:

```
-> lacp agg gigaethernet 7/49 partner admin state active aggregate
```

Restoring Partner Port System Administrative State Values

To restore LACPDU bit settings to their default values use the **no** form of the **lacp agg partner admin state** command by entering **no** before the **active**, **timeout**, **aggregate**, or **synchronize** keywords.

For example, to restore bits 0 (**active**) and 2 (**aggregate**) to their default settings on dynamic aggregate partner port 1 in slot 7 you would enter:

```
-> lacp agg 7/1 partner admin state no active no aggregate
```

Note. Since individual bits with the LACPDU frame are set with the **lacp agg partner admin state** command you can set some bits on and restore other bits to default values within the same command. For example, if you wanted to restore bit 2 (**aggregate**) to its default settings and set bit 0 (**active**) on dynamic aggregate partner port 1 in slot 7 you would enter:

```
-> lacp agg 7/1 partner admin state active no aggregate
```

Modifying the Partner Port Administrative Key

By default, the dynamic aggregate partner port's administrative key is 0. The following subsections describe how to configure a user-specified value and how to restore the value to its default value with the **lacp agg partner admin key** command.

Configuring the Partner Port Administrative Key

You can configure the dynamic aggregate partner port's administrative key to a value ranging from 0 to 65535 by entering **lacp agg**, the slot number, a slash (/), the port number, **partner admin key**, and the user-specified partner port administrative key.

For example, to modify the administrative key of a dynamic aggregate group partner port 1 in slot 6 to 1000 enter:

```
-> lacp agg 6/1 partner admin key 1000
```

As an option, you can use the **ethernet**, **fastethernet**, and **gigaethernet** keywords before the slot and port number to document the interface type or make the command look consistent with early-generation Alcatel CLI syntax. For example, to modify the administrative key of a dynamic aggregate group partner port 1 in slot 6 to 1000 and document that the port is a 10 Mbps Ethernet port you would enter:

```
-> lacp agg ethernet 6/1 partner admin key 1000
```

Restoring the Partner Port Administrative Key

To remove a user-configured administrative key from a dynamic aggregate group partner port's configuration use the **no** form of the **lacp agg partner admin key** command by entering **lacp agg**, the slot number, a slash (/), the port number, and **no partner admin key**.

For example, to remove the user-configured administrative key from dynamic aggregate partner port 1 in slot 6, enter:

```
-> lacp agg 6/1 no partner admin key
```

Modifying the Partner Port System ID

By default, the partner port system ID (i.e., the MAC address used as the system ID on dynamic aggregate partner ports) is 00:00:00:00:00:00. The following subsections describe how to configure a user-specified value and how to restore the value to its default value with the **lacp agg partner admin system id** command.

Configuring the Partner Port System ID

You can configure the partner port system ID by entering **lACP agg**, the slot number, a slash (/), the port number, **partner admin system id**, and the user-specified partner administrative system ID (i.e., the MAC address in hexadecimal format).

For example, to modify the system ID of dynamic aggregate partner port 49 in slot 6 to **00:20:da:06:ba:d3** you would enter:

```
-> lACP agg 6/49 partner admin system id 00:20:da:06:ba:d3
```

As an option, you can use the **ethernet**, **fastethernet**, and **gigaethernet** keywords before the slot and port number to document the interface type or make the command look consistent with early-generation Alcatel CLI syntax. For example, to modify the system ID of dynamic aggregate partner port 49 in slot 6 to **00:20:da:06:ba:d3** and document that the port is a Gigabit Ethernet port you would enter:

```
-> lACP agg gigaethernet 6/49 partner admin system id 00:20:da:06:ba:d3
```

Restoring the Partner Port System ID

To remove a user-configured system ID from a dynamic aggregate group partner port's configuration use the **no** form of the **lACP agg partner admin system id** command by entering **lACP agg**, the slot number, a slash (/), the port number, and **no partner admin system id**.

For example, to remove a user-configured system ID from dynamic aggregate partner port 2 in slot 6 you would enter:

```
-> lACP agg 6/2 no partner admin system id
```

Modifying the Partner Port System Priority

By default, the administrative priority of a dynamic aggregate group partner port is 0. The following subsections describe how to configure a user-specified value and how to restore the value to its default value with the **lACP agg partner admin system priority** command.

Configuring the Partner Port System Priority

You can configure the administrative priority of a dynamic aggregate group partner port to a value ranging from 0 to 255 by entering **lACP agg**, the slot number, a slash (/), the port number, **partner admin system priority**, and the user-specified administrative system priority.

For example, to modify the administrative priority of dynamic aggregate partner port 49 in slot 4 to 100 you would enter:

```
-> lACP agg 4/49 partner admin system priority 100
```

As an option, you can use the **ethernet**, **fastethernet**, and **gigaethernet** keywords before the slot and port number to document the interface type or make the command look consistent with early-generation Alcatel CLI syntax. For example, to modify the administrative priority of dynamic aggregate partner port 49 in slot 4 to 100 and specify that the port is a Gigabit Ethernet port you would enter:

```
-> lACP agg gigaethernet 4/49 partner admin system priority 100
```

Restoring the Partner Port System Priority

To remove a user-configured system priority from a dynamic aggregate group partner port's configuration use the **no** form of the **lacp agg partner admin system priority** command by entering **lacp agg**, the slot number, a slash (/), the port number, and **no partner admin system priority**.

For example, to remove a user-configured system ID from dynamic aggregate partner port 3 in slot 4 you would enter:

```
-> lacp agg 4/3 no partner admin system priority
```

Modifying the Partner Port Administrative Status

By default, the administrative status of a dynamic aggregate group partner port is 0. The following subsections describe how to configure a user-specified value and how to restore the value to its default value with the **lacp agg partner admin port** command.

Configuring the Partner Port Administrative Status

You can configure the administrative status of a dynamic aggregate group partner port to a value ranging from 0 to 65535 by entering **lacp agg**, the slot number, a slash (/), the port number, **partner admin port**, and the user-specified partner port administrative status.

For example, to modify the administrative status of dynamic aggregate partner port 1 in slot 7 to 200 you would enter:

```
-> lacp agg 7/1 partner admin port 200
```

As an option, you can use the **ethernet**, **fastethernet**, and **gigaethernet** keywords before the slot and port number to document the interface type or make the command look consistent with early-generation Alcatel CLI syntax. For example, to modify the administrative status of dynamic aggregate partner port 1 in slot 7 to 200 and document that the port is a Fast Ethernet port you would enter:

```
-> lacp agg fastethernet 7/1 partner admin port 200
```

Restoring the Partner Port Administrative Status

To remove a user-configured administrative status from a dynamic aggregate group partner port's configuration use the **no** form of the **lacp agg partner admin port** command by entering **lacp agg**, the slot number, a slash (/), the port number, and **no partner admin port**.

For example, to remove a user-configured administrative status from dynamic aggregate partner port 1 in slot 7 you would enter:

```
-> lacp agg 7/1 no partner admin port
```

Modifying the Partner Port Priority

The default partner port priority is 0. The following subsections describe how to configure a user-specified value and how to restore the value to its default value with the **lacp agg partner admin port priority** command.

Configuring the Partner Port Priority

To configure the partner port priority to a value ranging from 0 to 255 by entering **lacp agg**, the slot number, a slash (/), the port number, **partner admin port priority**, and the user-specified partner port priority.

For example, to modify the port priority of dynamic aggregate partner port 3 in slot 4 to 100 you would enter:

```
-> lacp agg 4/3 partner admin port priority 100
```

As an option, you can use the **ethernet**, **fastethernet**, and **gigaethernet** keywords before the slot and port number to document the interface type or make the command look consistent with early-generation Alcatel CLI syntax. For example, to modify the port priority of dynamic aggregate partner port 3 in slot 4 to 100 and document that the port is a Fast Ethernet port you would enter:

```
-> lacp agg fastethernet 4/3 partner admin port priority 100
```

Restoring the Partner Port Priority

To remove a user-configured partner port priority from a dynamic aggregate group partner port's configuration use the **no** form of the **lacp agg partner admin port priority** command by entering **lacp agg**, the slot number, a slash (/), the port number, and **no partner admin port priority**.

For example, to remove a user-configured partner port priority from dynamic aggregate partner port 3 in slot 4 you would enter:

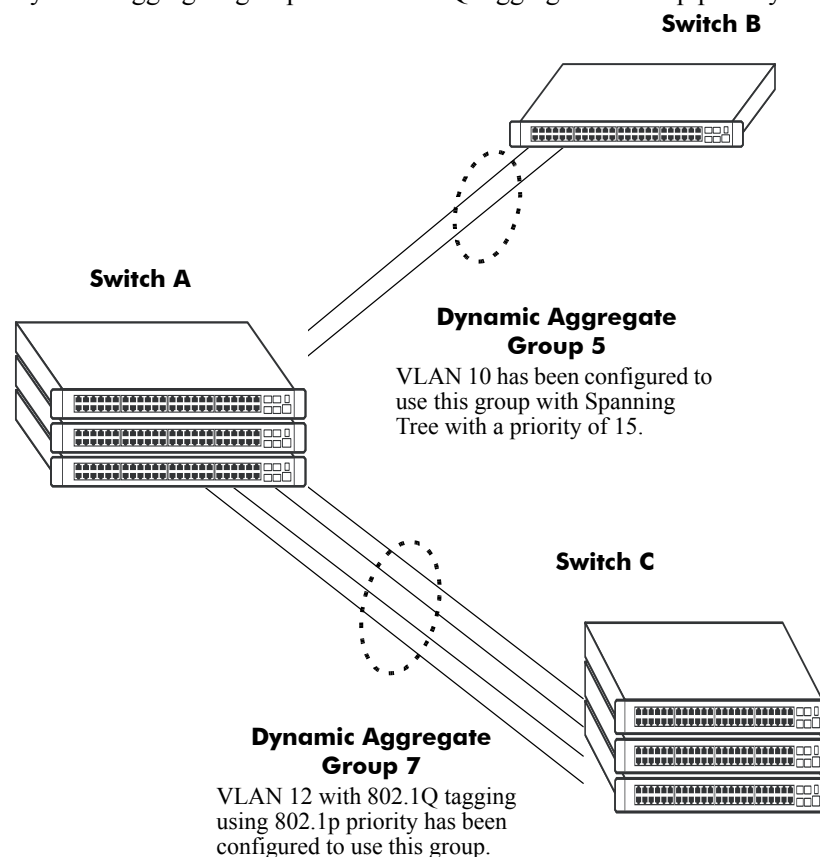
```
-> lacp agg 4/3 no partner admin port priority
```

Application Examples

Dynamic link aggregation groups are treated by the switch's software the same way it treats individual physical ports. This section demonstrates this feature by providing sample network configurations that use dynamic aggregation along with other software features. In addition, tutorials are provided that show how to configure these sample networks using Command Line Interface (CLI) commands.

Sample Network Overview

The figure below shows two VLANs on Switch A (a stack of four OmniSwitch 6800 Series switches) that use two different link aggregation groups. VLAN 10 has been configured on dynamic aggregate group 5 with Spanning Tree Protocol (STP) with the highest (15) priority possible. And VLAN 12 has been configured on dynamic aggregate group 7 with 802.1Q tagging and 802.1p priority bit settings.



Sample Network Using Dynamic Link Aggregation

The steps to configure VLAN 10 (Spanning Tree example) are described in [“Link Aggregation and Spanning Tree Example” on page 11-30](#). And the steps to configure VLAN 12 (802.1Q and 802.1p example) are described in [“Link Aggregation and QoS Example” on page 11-31](#).

Note. Although you would need to configure both the local (i.e., Switch A) and remote (i.e., Switches B and C) switches, only the steps to configure the local switch are provided since the steps to configure the remote switches are not significantly different.

Link Aggregation and Spanning Tree Example

As shown in the figure on [page 11-29](#), VLAN 10, which uses the Spanning Tree Protocol (STP) with a priority of 15, has been configured to use dynamic aggregate group 7. The actual physical links connect ports 3/9 and 3/10 on Switch A to ports 1/1 and 1/2 on Switch B. Follow the steps below to configure this network:

Note. Only the steps to configure the local (i.e., Switch A) are provided here since the steps to configure the remote (i.e., Switch B) would not be significantly different.

1 Configure dynamic aggregate group 5 by entering:

```
-> lacp linkagg 5 size 2
```

2 Configure ports 5/5 and 5/6 with same actor administrative key (5) by entering:

```
-> lacp agg 3/9 actor admin key 5
-> lacp agg 3/10 actor admin key 5
```

3 Create VLAN 10 by entering:

```
-> vlan 10
```

4 If the Spanning Tree Protocol (STP) has been disabled on this VLAN (STP is enabled by default), enable it on VLAN 10 by entering:

```
-> vlan 10 stp enable
```

Note. *Optional.* Use the [show spantree ports](#) command to determine if the STP is enabled or disabled and to display other STP parameters. For example:

```
-> show spantree 10 ports
Spanning Tree Port Summary for Vlan 10
      Adm Oper Man. Path Desig      Fw Prim. Adm Op
Port Pri St  St  mode Cost Cost Role Tx  Port Cnx Cnx Desig Bridge ID
-----+-----+-----+-----+-----+-----+-----+-----+-----+-----+-----+-----+-----+-----+-----+-----
3/13 7  ENA FORW No   100  0  DESG  1  3/13 EDG NPT 000A-00:d0:95:6b:0a:c0
2/10 7  ENA FORW No    19  0  DESG  1  2/10 PTP PTP 000A-00:d0:95:6b:0a:c0
5/2  7  ENA DIS  No    0   0  DIS   0  5/2  EDG NPT 0000-00:00:00:00:00:00
0/5  7  ENA FORW No    4   0  DESG  1  0/10 PTP PTP 000A-00:d0:95:6b:0a:c0
```

In the example above the link aggregation group is indicated by the “0” for the slot number.

5 Configure VLAN 10 (which uses dynamic aggregate group 5) to the highest (15) priority possible by entering:

```
-> bridge 10 5 mode priority 15
```

6 Repeat steps 1 through 5 on Switch B. All the commands would be the same except you would substitute the appropriate port numbers.

Link Aggregation and QoS Example

As shown in the figure on [page 11-29](#), VLAN 12, which uses 802.1Q frame tagging and 802.1p prioritization, has been configured to use dynamic aggregate group 7. The actual physical links connect ports 4/1, 4/2, 4/3, and 4/4 on Switch A to ports 1/1, 1/2, 1/3, and 1/4 on Switch C (a stack of four OmniSwitch 6800 Series switches). Follow the steps below to configure this network:

Note. Only the steps to configure the local (i.e., Switch A) are provided here since the steps to configure the remote (i.e., Switch C) would not be significantly different.

- 1 Configure dynamic aggregate group 7 by entering:

```
-> lacp linkagg 7 size 4
```

- 2 Configure ports 4/1, 4/2, 4/3, and 4/4 the same actor administrative key (7) by entering:

```
-> lacp agg 4/1 actor admin key 7
-> lacp agg 4/2 actor admin key 7
-> lacp agg 4/3 actor admin key 7
-> lacp agg 4/4 actor admin key 7
```

- 3 Create VLAN 12 by entering:

```
-> vlan 12
```

- 4 Configure 802.1Q tagging with a tagging ID (i.e., VLAN ID) of 12 on dynamic aggregate group 7 by entering:

```
-> vlan 12 802.1q 7
```

- 5 If the QoS Manager has been disabled (it is enabled by default) enable it by entering:

```
-> qos enable
```

Note. *Optional.* Use the [show qos config](#) command to determine if the QoS Manager is enabled or disabled.

- 6 Configure a policy condition for VLAN 12 called “vlan12_condition” by entering:

```
-> policy condition vlan12_condition destination vlan 12
```

- 7 Configure an 802.1p policy action with the highest priority possible (i.e., 7) for VLAN 12 called “vlan12_action” by entering:

```
-> policy action vlan12_action 802.1p 7
```

- 8 Configure a QoS rule called “vlan12_rule” using the policy condition and policy rules you configured in steps 8 and 9 above by entering:

```
-> policy rule vlan12_rule enable condition vlan12_condition action
vlan12_action
```

- 9 Enable your 802.1p QoS settings by entering **qos apply** as shown below:

```
-> qos apply
```

10 Repeat steps 1 through 9 on Switch C. All the commands would be the same except you would substitute the appropriate port numbers.

Note. If you do not use the **qos apply** command any QoS policies you configured will be lost on the next switch reboot.

Displaying Dynamic Link Aggregation Configuration and Statistics

You can use Command Line Interface (CLI) **show** commands to display the current configuration and statistics of link aggregation. These commands include the following:

- show linkagg** Displays information on link aggregation groups.
- show linkagg port** Displays information on link aggregation ports.

When you use the **show linkagg** command without specifying the link aggregation group number and when you use the **show linkagg port** command without specifying the slot and port number, these commands provide a “global” view of switch-wide link aggregate group and link aggregate port information, respectively.

For example, to display global statistics on all link aggregate groups (both dynamic and static) you would enter

```
-> show linkagg
```

A screen similar to the following would be displayed:

Number	Aggregate	SNMP Id	Size	Admin State	Oper State	Att/Sel Ports
1	Static	40000001	8	ENABLED	UP	2 2
2	Dynamic	40000002	4	ENABLED	DOWN	0 0
3	Dynamic	40000003	8	ENABLED	DOWN	0 2
4	Static	40000005	2	DISABLED	DOWN	0 0

When you use the **show linkagg** command with the link aggregation group number and when you use the **show linkagg port** command with the slot and port number, these commands provide detailed views of link aggregate group and port information, respectively. These detailed views provide excellent tools for diagnosing and troubleshooting problems.

For example, to display detailed statistics for port 1 in slot 2 that is attached to dynamic link aggregate group 1 you would enter:

```
-> show linkagg port 2/1
```

A screen similar to the following would be displayed:

```
Dynamic Aggregable Port
  SNMP Id           : 2001,
  Slot/Port        : 2/1,
  Administrative State : ENABLED,
  Operational State  : DOWN,
  Port State        : CONFIGURED,
  Link State        : DOWN,
  Selected Agg Number : NONE,
  Primary port      : UNKNOWN,
LACP
  Actor System Priority : 10,
  Actor System Id      : [00:d0:95:6a:78:3a],
  Actor Admin Key      : 8,
  Actor Oper Key       : 8,
  Partner Admin System Priority : 20,
  Partner Oper System Priority : 20,
  Partner Admin System Id : [00:00:00:00:00:00],
  Partner Oper System Id  : [00:00:00:00:00:00],
  Partner Admin Key      : 8,
  Partner Oper Key       : 0,
  Attached Agg Id       : 0,
  Actor Port            : 7,
  Actor Port Priority    : 15,
  Partner Admin Port    : 0,
  Partner Oper Port     : 0,
  Partner Admin Port Priority : 0,
  Partner Oper Port Priority : 0,
  Actor Admin State     : act1.tim1.agg1.syn0.col0.dis0.def1.exp0
  Actor Oper State      : act1.tim1.agg1.syn0.col0.dis0.def1.exp0,
  Partner Admin State   : act0.tim0.agg1.syn1.col1.dis1.def1.exp0,
  Partner Oper State    : act0.tim0.agg1.syn0.col1.dis1.def1.exp0
```

Note. See the “Link Aggregation Commands” chapter in the *OmniSwitch CLI Reference Guide* for complete documentation of **show** commands for link aggregation.

12 Configuring IP

Internet Protocol (IP) is primarily a network-layer (Layer 3) protocol that contains addressing and control information that enables packets to be forwarded. Along with Transmission Control Protocol (TCP), IP represents the heart of the Internet protocols. IP has two primary responsibilities: providing connectionless, best-effort delivery of datagrams through an internetwork; and providing fragmentation and reassembly of datagrams to support data links with different Maximum Transmission Unit (MTU) sizes.

Note. IP routing (Layer 3) can be accomplished by using static routes or by using one of the IP routing protocols: Routing Information Protocol (RIP), Open Shortest Path First (OSPF). For more information on these protocols see [Chapter 13, “Configuring RIP,”](#) in this manual; or “Configuring OSPF” in the *6800 Series Advanced Routing Configuration Guide*.

In This Chapter

This chapter describes IP and how to configure it through the Command Line Interface (CLI). It includes instructions for enabling IP forwarding, as well as basic IP configuration commands (e.g., `ip default-ttl`). CLI commands are used in the configuration examples; for more details about the syntax of commands, see the *OmniSwitch CLI Reference Guide*. This chapter provides an overview of IP and includes information about the following procedures:

- IP Forwarding
 - Creating an IP Router Port (see page [12-5](#))
 - Creating a Static Route (see page [12-6](#))
 - Creating a Default Route (see page [12-6](#))
 - Configuring Address Resolution Protocol (ARP) (see page [12-7](#))
- IP Configuration
 - Configuring the Router Primary Address (see page [12-9](#))
 - Configuring the Router ID (see page [12-9](#))
 - Configuring the Time-to-Live (TTL) Value (see page [12-9](#))
 - IP-Directed Broadcasts (see page [12-10](#))
 - Protecting the Switch from Denial of Service (DoS) attacks (see page [12-10](#))
- Managing IP
 - Internet Control Message Protocol (ICMP) (see page [12-15](#))
 - Using the Ping Command (see page [12-19](#))
 - Tracing an IP Route (see page [12-19](#))
 - Displaying TCP Information (see page [12-19](#))
 - Displaying User Datagram Protocol (UDP) Information (see page [12-20](#))

IP Specifications

RFCs Supported	RFC 791–Internet Protocol RFC 792–Internet Control Message Protocol RFC 826–An Ethernet Address Resolution Protocol
Maximum router port VLANs per switch	1024 IP (single MAC router mode)
Maximum router port VLANs per stack	1024 IP (single MAC router mode)

IP Defaults

The following table lists the defaults for IP configuration through the **ip** command.

Description	Command	Default
IP-Directed Broadcasts	ip directed-broadcast	off
Time-to-Live Value	ip default-ttl	64 (hops)

Quick Steps for Configuring IP Forwarding

Using only IP, which is always enabled on the switch, devices connected to ports on the same VLAN are able to communicate at Layer 2. The initial configuration for all Alcatel switches consists of a default VLAN 1. All switch ports are initially assigned to this VLAN. When another switch is added (stacked), all of that switch's ports are also assigned to VLAN 1. If additional VLANs are not configured on the switch, the entire switch is treated as one large broadcast domain, and all ports receive all traffic from all other ports.

Note. A VLAN's operational status remains inactive until at least one active switch port is assigned to the VLAN. Ports are considered active if they are connected to an active network device. Non-active port assignments are allowed, but do not change the VLAN's operational state.

To forward packets to a different VLAN on the switch, you must create a router port on each VLAN. The following steps show you how to enable IP forwarding between VLANs "from scratch". If active VLANs have already been created on the switch, you only need to create router ports on each VLAN (Steps 5 and 6).

- 1 Create VLAN 1 with a description (e.g., VLAN 1) using the **vlan** command. For example:

```
-> vlan 1 name "VLAN 1"
```

- 2 Create VLAN 2 with a description (e.g., VLAN 2) using the **vlan** command. For example:

```
-> vlan 2 name "VLAN 2"
```

3 Assign an active port to VLAN 1 using the **vlan port default** command. For example, the following command assigns port 1 on slot 1 to VLAN 1:

```
-> vlan 1 port default 1/1
```

4 Assign an active port to VLAN 2 using the **vlan port default** command. For example, the following command assigns port 2 on slot 1 to VLAN 2:

```
-> vlan 2 port default 1/2
```

5 Create an IP router port on VLAN 1 using the **vlan router ip** command. For example:

```
-> vlan 1 router ip 171.10.1.1
```

6 Create an IP router port on VLAN 2 using the **vlan router ip** command. For example:

```
-> vlan 2 router ip 171.11.1.1
```

Note. For information on creating VLANs and VLAN router ports, see [Chapter 4, “Configuring VLANs.”](#)

IP Overview

IP is a network-layer (Layer 3) protocol that contains addressing and control information that enables packets to be forwarded on a network. IP is the primary network-layer protocol in the Internet protocol suite. Along with TCP, IP represents the heart of the Internet protocols.

IP Protocols

IP is associated with several Layer 3 and Layer 4 protocols. These protocols are built into the base code loaded on the switch. A brief overview of supported IP protocols is included below.

Transport Protocols

IP is both connectionless (it forwards each datagram separately) and unreliable (it does not guarantee delivery of datagrams). This means that a datagram may be damaged in transit, or thrown away by a busy switch, or simply never make it to its destination. The resolution of these transit problems is to use a Layer 4 transport protocol, such as:

- **TCP**—A major data transport mechanism that provides reliable, connection-oriented, full-duplex data streams. While the role of TCP is to add reliability to IP, TCP relies upon IP to do the actual delivering of datagrams.
- **UDP**—A secondary transport-layer protocol that uses IP for delivery. UDP is not connection-oriented and does not provide reliable end-to-end delivery of datagrams. But some applications can safely use UDP to send datagrams that do not require the extra overhead added by TCP. For more information on UDP, see [Chapter 15, “Configuring DHCP Relay.”](#)

Application-Layer Protocols

Application-layer protocols are used for switch configuration and management:

- Bootstrap Protocol (BOOTP)/Dynamic Host Configuration Protocol (DHCP)—May be used by an end station to obtain an IP address. The switch provides a DHCP Relay that allows BOOTP requests/replies to cross different networks.
- Simple Network Management Protocol (SNMP)—Allows communication between SNMP managers and SNMP agents on an IP network. Network administrators use SNMP to monitor network performance and manage network resources. For more information, see the “Using SNMP” chapter in the *6800 Series Switch Management Guide*.
- Telnet—Used for remote connections to a device. You can telnet to a switch and configure the switch and the network using the CLI.
- File Transfer Protocol (FTP)—Enables the transfer of files between hosts. This protocol is used to load new images onto the switch.

Additional IP Protocols

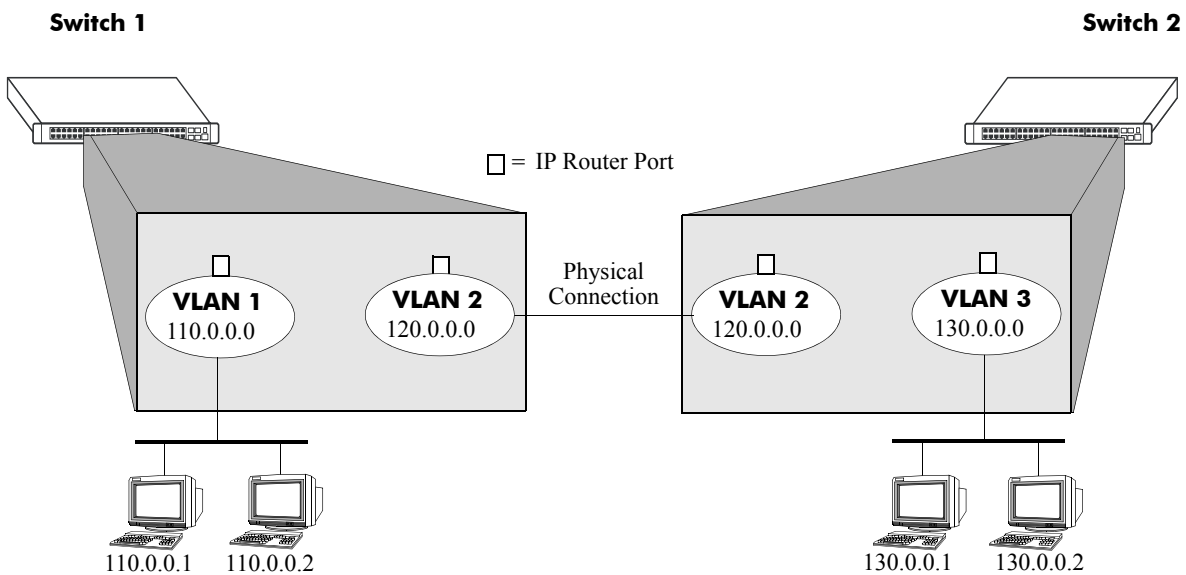
There are several additional IP-related protocols that may be used with IP forwarding. These protocols are included as part of the base code.

- Address Resolution Protocol (ARP)—Used to match the IP address of a device with its physical (MAC) address. For more information, see [“Configuring Address Resolution Protocol \(ARP\)” on page 12-7](#).
- Internet Control Message Protocol (ICMP)—Specifies the generation of error messages, test packets, and informational messages related to IP. ICMP supports the **ping** command used to determine if hosts are online. For more information, see [“Internet Control Message Protocol \(ICMP\)” on page 12-15](#).
- Router Discovery Protocol (RDP)—Used to advertise and discover routers on the LAN. For more information, see [Chapter 14, “Configuring RDP.”](#)
- Multicast Services—Includes IP multicast switching (IPMS). For more information, see [Chapter 23, “Configuring IP Multicast Switching.”](#)

IP Forwarding

IP is enabled by default. Using IP, devices connected to ports on the same VLAN are able to communicate. However, to forward packets to a different VLAN, you must create a router port on each VLAN.

In the illustration below, a router port has been configured on each VLAN. Therefore, workstations connected to ports on VLAN 1 on Switch 1 can communicate with VLAN 2; and workstations connected to ports on VLAN 3 on Switch 2 can communicate with VLAN 2. Also, ports from both switches have been assigned to VLAN 2, and a physical connection has been made between the switches. Therefore, workstations connected to VLAN 1 on Switch 1 can communicate with workstations connected to VLAN 3 on Switch 2.



IP Forwarding

Creating an IP Router Port

You must configure an IP router port on a VLAN for devices on that VLAN to communicate with devices on other VLANs. You can only create one IP router port per VLAN. VLAN router ports are not active until at least one active port is assigned to the VLAN. Up to 4094 router ports per stack are supported.

Use the **vlan router ip** command to configure an IP router port on a VLAN. Include the VLAN ID and the IP address of the router port. For example, to create a router port on VLAN 1 with an IP address of 171.10.11.1, you would enter:

```
-> vlan 1 router ip 171.10.11.1
```

Use the **show ip interface** command to display all IP VLAN interfaces.

Note. Router port IP addresses must be unique. You cannot have two router ports with the same IP address. For more information on VLANs and router ports, see [Chapter 4, “Configuring VLANs.”](#)

Creating a Static Route

Static routes are user-defined routes that allow you to define, or customize, an explicit path to an IP network segment, which is then added to the IP Forwarding table. Static routes can be created between VLANs to enable devices on these VLANs to communicate.

Use the **ip static-route** command to create a static route. You must specify the destination IP address of the route as well as the IP address of the first hop (gateway) used to reach the destination. For example, to create a static route to IP address 171.11.0.0 through gateway 171.11.2.1 you would enter:

```
-> ip static-route 171.11.0.0 gateway 171.11.2.1
```

The subnet mask is not required if you want to use the natural subnet mask. By default, the switch imposes a natural mask on the IP address. In the above example, the Class B mask of 255.255.0.0 is implied. If you do not want to use the natural mask, you must enter a subnet mask. For example, to create a static route to IP address 10.255.11.0, you would have to enter the Class C mask of 255.255.255.0:

```
-> ip static-route 10.255.11.0 mask 255.255.255.0 gateway 171.11.2.1
```

When you create a static route, the default metric value of 1 is used. However, you can change the priority of the route by increasing its metric value. The lower the metric value, the higher the priority. This metric is added to the metric cost of the route. The metric range is 1 to 15.

For example:

```
-> ip static-route 10.255.11.0 mask 255.255.255.0 gateway 171.11.2.1 metric 5
```

Static routes do not age out of the IP Forwarding table; you must delete them from the table. Use the **no ip static route** command to delete a static route. You must specify the destination IP address of the route as well as the IP address of the first hop (gateway). For example, to delete a static route to IP address 171.11.0.0 through gateway 171.11.2.1 you would enter:

```
-> no ip static-route 171.11.0.0 gateway 171.11.2.1
```

Use the **show ip route** command to display the IP Forwarding table.

Note. A static route is not active unless the gateway it is using is active.

Creating a Default Route

A default route can be configured for packets destined for networks that are unknown to the switch. Use the **ip static-route** command to create a default route. You must specify a default route of 0.0.0.0 with a subnet mask of 0.0.0.0, and the IP address of the next hop (gateway). For example, to create a default route through gateway 171.11.2.1 you would enter:

```
-> ip static-route 0.0.0.0 mask 0.0.0.0 gateway 171.11.2.1
```

Configuring Address Resolution Protocol (ARP)

To send packets on a locally connected network, the switch uses ARP to match the IP address of a device with its physical (MAC) address. To send a data packet to a device with which it has not previously communicated, the switch first broadcasts an ARP request packet. The ARP request packet requests the Ethernet hardware address corresponding to an Internet address. All hosts on the receiving Ethernet receive the ARP request, but only the host with the specified IP address responds. If present and functioning, the host with the specified IP address responds with an ARP reply packet containing its hardware address. The switch receives the ARP reply packet, stores the hardware address in its ARP cache for future use, and begins exchanging packets with the receiving device.

The switch stores the hardware address in its ARP cache (ARP table). The table contains a listing of IP addresses and their corresponding translations to MAC addresses. Entries in the table are used to translate 32-bit IP addresses into 48-bit Ethernet or IEEE 802.3 hardware addresses. Dynamic addresses remain in the table until they time out. You can set this timeout value and you can also manually add or delete permanent addresses to/from the table.

Adding a Permanent Entry to the ARP Table

As described above, dynamic entries remain in the ARP table for a specified time period before they are automatically removed. However, you can create a permanent entry in the table.

Use the **arp** command to add a permanent entry to the ARP table. You must enter the IP address of the entry followed by its physical (MAC) address. For example to create an entry for IP address 171.11.1.1 with a corresponding physical address of 00:05:02:c0:7f:11, you would enter:

```
-> arp 171.11.1.1 00:05:02:c0:7f:11
```

When you add an entry to the ARP table, the IP address and hardware address (MAC address) are *required*. Optionally, you may also specify:

- **Alias.** Use the **alias** keyword to specify that the switch will act as an alias (proxy) for this IP address. When the alias option is used, the switch responds to all ARP requests for the specified IP address with its own MAC address. Note that this option is not related to Proxy ARP as defined in RFC 925.

For example:

```
-> arp 171.11.1.1 00:05:02:c0:7f:11 alias
```

Use the **show arp** command to display the ARP table.

Note. Because most hosts support the use of address resolution protocols to determine and cache address information (called dynamic address resolution), you generally do not need to specify permanent ARP entries.

Deleting a Permanent Entry from the ARP Table

Permanent entries do not age out of the ARP table. Use the **no arp** command to delete a permanent entry from the ARP table. When deleting an ARP entry, you only need to enter the IP address. For example to delete an entry for IP address 171.11.1.1, you would enter:

```
-> no arp 171.11.1.1
```

Use the **show arp** command to display the ARP table and verify that the entry was deleted.

Note. You can also use the **no arp** command to delete a dynamic entry from the table.

Clearing a Dynamic Entry from the ARP Table

Dynamic entries can be cleared using the **clear arp-cache** command. This command clears all dynamic entries. Permanent entries must be cleared using the **no arp** command.

Use the **show arp** command to display the table and verify that the table was cleared.

Note. Dynamic entries remain in the ARP table until they time out. If the switch does not receive data from a host for this user-specified time, the entry is removed from the table. If another packet is received from this host, the switch goes through the discovery process again to add the entry to the table. The switch uses the MAC Address table timeout value as the ARP timeout value. Use the **mac-address-table aging-time** command to set the timeout value.

IP Configuration

IP is enabled on the switch by default and there are few options that can, or need to be, configured. This section provides instructions for some basic IP configuration options.

Configuring the Router Primary Address

The router primary address is used by advanced routing protocols (e.g., OSPF) to identify the switch on the network. It is also the address that is used to access the switch for management purposes.

Use the **ip router primary-address** command to configure the router primary address. Enter the command, followed by the IP address. For example, to configure a router primary address of 172.22.2.115, you would enter:

```
-> ip router primary-address 172.22.2.115
```

Configuring the Router ID

By default, the primary address of the router is used as the router ID. However, if a primary address has not been configured, the router ID is used by OSPF to identify the switch on the network. The router ID can be any 32-bit number.

Use the **ip router router-id** command to configure the router ID. Enter the command, followed by the IP address. For example, to configure a router ID of 172.22.2.115, you would enter:

```
-> ip router router-id 172.22.2.115
```

Configuring the Time-to-Live (TTL) Value

The TTL value is the default value inserted into the TTL field of the IP header of datagrams originating from the switch whenever a TTL value is not supplied by the transport layer protocol. The value is measured in hops.

Use the **ip default-ttl** command to set the TTL value. Enter the command, followed by the TTL value. For example, to set a TTL value of 75, you would enter:

```
-> ip default-ttl 75
```

The default hop count is 64. The valid range is 1 to 255. Use the **show ip config** command to display the default TTL value.

IP-Directed Broadcasts

An IP directed broadcast is an IP datagram that has all zeroes or all 1's in the host portion of the destination IP address. The packet is sent to the broadcast address of a subnet to which the sender is not directly attached. Directed broadcasts are used in denial-of-service “smurf” attacks. In a smurf attack, a continuous stream of ping requests is sent from a falsified source address to a directed broadcast address, resulting in a large stream of replies, which can overload the host of the source address. By default, the switch drops directed broadcasts. Typically, directed broadcasts should not be enabled.

Use the `ip directed-broadcast` command to enable or disable IP-directed broadcasts. For example:

```
-> ip directed-broadcast off
```

Use the `show ip config` command to display the IP directed-broadcast state.

Denial of Service (DoS) Filtering

By default, the switch filters denial of service (DoS) attacks, which are security attacks aimed at devices that are available on a private network or the Internet. Some of these attacks aim at system bugs or vulnerability (for example, teardrop attacks), while other types of these types of attacks involve generating large volumes of traffic so that network service will be denied to legitimate network users (such as pps attacks). These attacks include the following:

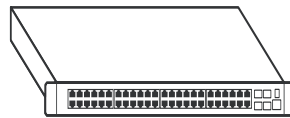
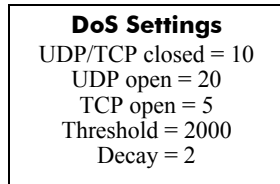
- **ICMP Ping of Death**—Ping packets that exceed the largest IP datagram size (65535 bytes) are sent to a host and hang or crash the system.
- **SYN Attack**—Floods a system with a series of TCP SYN packets, resulting in the host issuing SYN-ACK responses. The half open TCP connections can exhaust TCP resources, such that no other TCP connections are accepted.
- **Land Attack**—Spoofed packets are sent with the SYN flag set to a host on any open port that is listening. The machine may hang or reboot in an attempt to respond.
- **Teardrop/Bonk/Boink attacks**—Bonk/boink/teardrop attacks generate IP fragments in a special way to exploit IP stack vulnerabilities. If the fragments overlap the way those attacks generate packets, an attack is recorded. Since teardrop, bonk and boink all use the same IP fragmentation mechanism to attack, there is no distinction between detection of these attacks. The old IP fragments in the fragmentation queue is also reaped once the reassemble queue goes above certain size.
- **Pepsi Attack**—The most common form of UDP flooding directed at harming networks. A pps attack is an attack consisting of a large number of spoofed UDP packets aimed at diagnostic ports on network devices. This can cause network devices to use up a large amount of CPU time responding to these packets.

The switch can be set to detect various types of port scans by monitoring for TCP or UDP packets sent to open or closed ports. Monitoring is done in the following manner:

- **Packet penalty values set.** TCP and UDP packets destined for open or closed ports are assigned a penalty value. Each time a packet of this type is received, its assigned penalty value is added to a running total. This total is cumulative and includes all TCP and UDP packets destined for open or closed ports.
- **Port scan penalty value threshold.** The switch is given a port scan penalty value threshold. This number is the maximum value the running penalty total can achieve before triggering an SNMP trap.
- **Decay value.** A decay value is set. The running penalty total is divided by the decay value every minute.

- **Trap generation.** If the total penalty value exceeds the set port scan penalty value threshold, a trap is generated to alert the administrator that a port scan may be in progress.

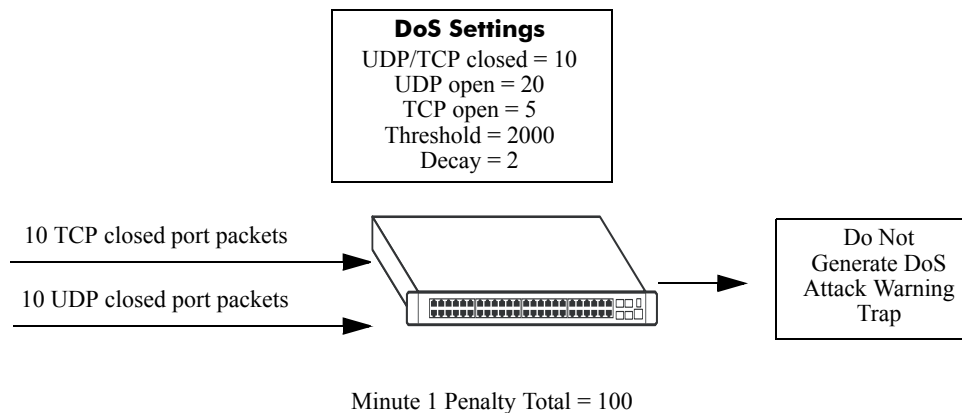
For example, imagine that a switch is set so that TCP and UDP packets destined for closed ports are given a penalty of 10, TCP packets destined for open ports are given a penalty of 5, and UDP packets destined for open ports are given a penalty of 20. The decay is set to 2, and the switch port scan penalty value threshold is set to 2000:



In one minute, 10 TCP closed port packets and 10 UDP closed port packets are received. This would bring the total penalty value to 200, as shown with the following equation:

$$(10 \text{ TCP} \times 10 \text{ penalty}) + (10 \text{ UDP} \times 10 \text{ penalty}) = 200$$

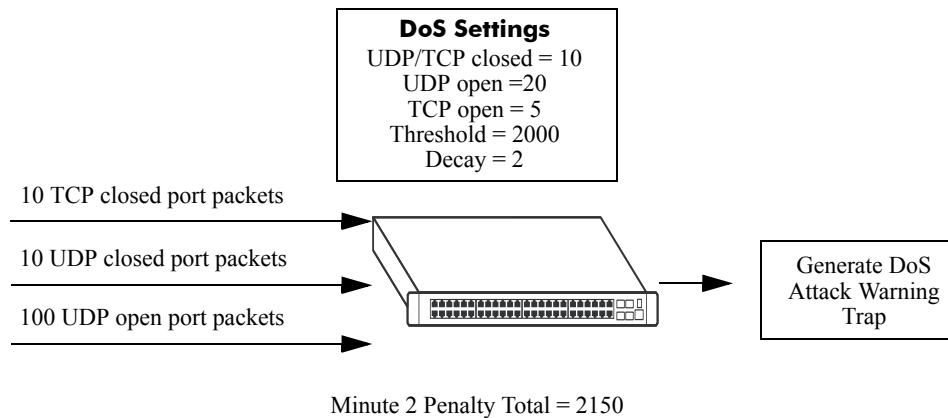
This value would be divided by 2 (due to the decay) and decreased to 100. The switch would not record a port scan:



In the next minute, 10 more TCP and UDP closed port packets are received, along with 200 UDP open port packets. This would bring the total penalty value to 4300, as shown with the following equation:

$$(100 \text{ previous minute value}) + (10 \text{ TCP} \times 10 \text{ penalty}) + (10 \text{ UDP} \times 10 \text{ penalty}) + (200 \text{ UDP} \times 20 \text{ penalty}) = 4300$$

This value would be divided by 2 (due to decay) and decreased to 2150. The switch would record a port scan and generate a trap to warn the administrator:



The above functions and how to set their values are covered in the sections that follow.

Setting Penalty Values

There are three types of traffic you can set a penalty value for:

- TCP/UDP packets bound for closed ports.
- TCP traffic bound for open ports.
- UDP traffic bound for open ports.

Each type has its own command used to assign a penalty value. Penalty values can be any non-negative integer. Each time a packet is received that matches an assigned penalty, the total penalty value for the switch is increased by the penalty value of the packet in question.

To assign a penalty value to TCP/UDP packets bound for a closed port, use the **ip dos scan close-port-penalty** command with a penalty value. For example, to assign a penalty value of 10 to TCP/UDP packets destined for closed ports, enter the following:

```
-> ip dos scan close-port-penalty 10
```

To assign a penalty value to TCP packets bound for an open port, use the **ip dos scan tcp open-port-penalty** command with a penalty value. For example, to assign a penalty value of 10 to TCP packets destined for opened ports, enter the following:

```
-> ip dos scan tcp open-port-penalty 10
```

To assign a penalty value to UDP packets bound for an open port, use the **ip dos scan udp open-port-penalty** command with a penalty value. For example, to assign a penalty value of 10 to TCP/UDP packets destined for closed ports, enter the following:

```
-> ip dos scan udp open-port-penalty 10
```


Setting the Port Scan Penalty Value Threshold

The port scan penalty value threshold is the highest point a the total penalty value for the switch can reach before a trap is generated informing the administrator that a port scan is in progress.

To set the port scan penalty value threshold, enter the threshold value with the **ip dos scan threshold** command. For example, to set the port scan penalty value threshold to 2000, enter the following:

```
-> ip dos scan threshold 2000
```

Setting the Decay Value

The decay value is the amount the total penalty value is divided by every minute. As the switch records incoming UDP and TCP packets, it adds their assigned penalty values together to create the total penalty value for the switch. To prevent the switch from registering a port scan from normal traffic, the decay value is set to lower the total penalty value every minute to compensate from normal traffic flow.

To set the decay value, enter the decay value with the **ip dos scan decay** command. For example, to set the decay value to 2, enter the following:

```
-> ip dos scan decay 2
```

Enabling DoS Traps

DoS traps must be enabled in order for the switch to warn the administrator that a port scan may be in progress when the switch total penalty value cross the port scan penalty value threshold.

To enable SNMP trap generation, enter the **ip dos scan trap** command, as shown:

```
-> ip dos scan trap enable
```

To disable DoS traps, enter the same **ip dos scan trap** command, as shown:

```
-> ip dos scan trap disable
```

Enabling/Disabling IP Services

When a switch initially boots up, all supported TCP/UDP well-known service ports are enabled (open). Although these ports provide access for essential switch management services, such as telnet, ftp, snmp, etc., they also are vulnerable to DoS attacks. It is possible to scan open service ports and launch such attacks based on well-known port information.

The **ip service** command allows you to selectively disable (close) TCP/UDP well-known service ports and enable them when necessary. This command only operates on TCP/UDP ports that are opened by default. It has no affect on ports that are opened by loading applications, such as RIP, BGP, etc.

In addition, the **ip service** command allows you to designate which port to enable or disable by specifying the name of a service or the well-known port number associated with that service. For example, both of the following commands disable the telnet service:

```
-> no ip service telnet
-> no ip service port 23
```

Note that specifying a port number requires the use of the optional **port** keyword.

To enable or disable more than one service in a single command line, enter each service name separated by a space. For example, the following command enables the telnet, ftp, and snmp service ports:

```
-> ip service telnet ftp snmp
```

The following table lists **ip service** command options for specifying TCP/UDP services and also includes the well-known port number associated with each service:

service	port
ftp	21
ssh	22
telnet	23
http	80
secure-http	443
avlan-http	260
avlan-secure-http	261
avlan-telnet	259
udp-relay	67
network-time	123
snmp	161
proprietary	1024
proprietary	1025

Managing IP

The following sections describe IP commands that can be used to monitor and troubleshoot IP forwarding on the switch.

Internet Control Message Protocol (ICMP)

ICMP is a network layer protocol within the IP protocol suite that provides message packets to report errors and other IP packet processing information back to the source. ICMP generates several kinds of useful messages, including Destination Unreachable, Echo Request and Reply, Redirect, Time Exceeded, and Router Advertisement and Solicitation. If an ICMP message cannot be delivered, a second one is not generated. This prevents an endless flood of ICMP messages.

When an ICMP destination-unreachable message is sent by a switch, it means that the switch is unable to send the package to its final destination. The switch then discards the original packet. There are two reasons why a destination might be unreachable. Most commonly, the source host has specified a non-existent address. Less frequently, the switch does not have a route to the destination. Destination-unreachable messages include four basic types:

- Network-Unreachable Message—Usually means that a failure has occurred in the route lookup of the destination IP in the packet.
- Host-Unreachable Message—Usually indicates delivery failure, such as an unresolved client's hardware address or an incorrect subnet mask.
- Protocol-Unreachable Message—Usually means that the destination does not support the upper-layer protocol specified in the packet.
- Port-Unreachable Message—Implies that the TCP/UDP socket or port is not available.

Additional ICMP messages include:

- Echo-Request Message—Generated by the ping command, the message is sent by any host to test node reachability across an internetwork. The ICMP echo-reply message indicates that the node can be successfully reached.
- Redirect Message—Sent by the switch to the source host to stimulate more efficient routing. The switch still forwards the original packet to the destination. ICMP redirect messages allow host routing tables to remain small because it is necessary to know the address of only one switch, even if that switch does not provide the best path. Even after receiving an ICMP redirect message, some devices might continue using the less-efficient route.
- Time-Exceeded Message—Sent by the switch if an IP packet's TTL field reaches zero. The TTL field prevents packets from continuously circulating the internetwork if the internetwork contains a routing loop. Once a packet's TTL field reaches 0, the switch discards the packet.

Activating ICMP Control Messages

ICMP messages are identified by a *type* and a *code*. This number pair specifies an ICMP message. For example, ICMP type 4, code 0, specifies the source quench ICMP message.

To enable or disable an ICMP message, use the **icmp type** command with the type and code. For example, to enable the source quench ICMP message (type 4, code 0) enter the following:

```
-> icmp type 4 code 0 enable
```

The following table is provide to identify the various ICMP messages, and their type and code:

ICMP Message	Type	Code
echo reply	0	0
network unreachable	0	3
host unreachable	3	1
protocal unreachable	3	2
port unreachable	3	3
frag needed but DF bit set	3	4
source route failed	3	5
destination network unknown	3	6
destination host unknown	3	7
source host isolated	3	8
dest network admin prohibited	3	9
host admin prohibited by filter	3	10
network unreachable for TOS	3	11
host unreachable for TOS	3	12
source quench	4	0
redirect for network	5	0
redirect for host	5	1
redirect for TOS and network	5	2
redirect for TOS and host	5	3
echo request	8	0
router advertisement	9	0
router solicitation	10	0
time exceeded during transmit	11	0
time exceeded during reassembly	11	1
ip header bad	12	0
required option missing	12	1
timestamp request	13	0
timestamp reply	14	0
information request (obsolete)	15	0
information reply (obsolete)	16	0
address mask request	17	0
address mask reply	18	0

In addition to the **icmp type** command, several commonly used ICMP messages have been separate CLI commands for convenience. These commands are listed below with the ICMP message name, type, and code:

ICMP Message	Command
Network unreachable (type 0, code 3)	icmp unreachable
Host unreachable (type 3, code 1)	icmp unreachable
Protocol unreachable (type 3, code 2)	icmp unreachable
Port unreachable (type 3, code 3)	icmp unreachable
Echo reply (type 0, code 0)	icmp echo
Echo request (type 8, code 0)	icmp echo
Timestamp request (type 13, code 0)	icmp timestamp
Timestamp reply (type 14, code 0)	icmp timestamp
Address Mask request (type 17, code 0)	icmp addr-mask
Address Mask reply (type 18, code 0)	icmp addr-mask

These commands are entered as the **icmp type** command, only without specifying a type or code. The echo, timestamp, and address mask commands have options for distinguishing between a request or a reply, and the unreachable command has options distinguishing between a network, host, protocol, or port.

For example, to enable an echo request message, enter the following:

```
-> icmp echo request enable
```

To enable a network unreachable message, enter the following:

```
-> icmp unreachable net-unreachable enable
```

See [Chapter 22, “IP Commands,”](#) for specifics on the ICMP message commands.

Enabling All ICMP Types

To enable all ICMP message types, use the **icmp messages** command with the **enable** keyword. For example:

```
-> icmp messages enable
```

To disable all ICMP messages, enter the same command with the **disable** keyword. For example:

```
-> icmp messages enable
```

Setting the Minimum Packet Gap

The minimum packet gap is the time required between sending messages of a like type. For instance, if the minimum packet gap for Address Mask request messages is 40 microseconds, and an Address Mask message is sent, at least 40 microseconds must pass before another one could be sent.

To set the minimum packet gap, use the **min-pkt-gap** keyword with any of the ICMP control commands. For example, to set the Source Quench minimum packet gap to 100 microseconds, enter the following:

```
-> icmp type 4 code 0 min-pkt-gap 100
```

Likewise, to set the Timestamp Reply minimum packet gap to 100 microseconds, enter the following:

```
-> icmp timestamp reply min-pkt-gap 100
```

The default minimum packet gap for ICMP messages is 0.

ICMP Control Table

The ICMP Control Table displays ICMP control messages, whether they are enabled or disabled, and the minimum packet gap times. Use the **show icmp control** command to display the table.

ICMP Statistics Table

The ICMP Statistics Table displays ICMP statistics and errors. This data can be used to monitor and troubleshoot IP on the switch. Use the **show icmp statistics** command to display the table.

Using the Ping Command

The **ping** command is used to test whether an IP destination can be reached from the local switch. This command sends an ICMP echo request to a destination and then waits for a reply. To ping a destination, enter the **ping** command and enter either the destination's IP address or host name. The switch will ping the destination using the default frame count, packet size, interval, and timeout parameters (6 frames, 64 bytes, 1 second, and 5 seconds respectively). For example:

```
-> ping 172.22.2.115
```

When you ping a device, the device IP address or host name are required. Optionally, you may also specify:

- **Count.** Use the **count** keyword to set the number of frames to be transmitted.
- **Size.** Use the **size** keyword to set the size, in bytes, of the data portion of the packet sent for this ping. You can specify a size or a range of sizes up to 60000.
- **Interval.** Use the **interval** keyword to set the frequency, in seconds, that the switch will poll the host.
- **Timeout.** Use the **timeout** keyword to set the number of seconds the program will wait for a response before timing out.

For example, to send a ping with a count of 2, a size of 32 bytes, an interval of 2 seconds, and a timeout of 10 seconds you would enter:

```
-> ping 172.22.2.115 count 2 size 32 interval 2 timeout 10
```

Note. If you change the default values they will only apply to the current ping. The next time you use the **ping** command, the default values will be used unless you again enter different values.

Tracing an IP Route

The **traceroute** command is used to find the path taken by an IP packet from the local switch to a specified destination. This command displays the individual hops to the destination as well as some timing information. When using this command, you must enter the name of the destination as part of the command line (either the IP address or host name). Use the optional **max-hop** parameter to set a maximum hop count to the destination. If the trace reaches this maximum hop count without reaching the destination, the trace stops.

For example, to perform a traceroute to a device with an IP address of 172.22.2.115 with a maximum hop count of 10 you would enter:

```
-> traceroute 172.22.2.115 max-hop 10
```

Displaying TCP Information

Use the **show tcp statistics** command to display TCP statistics. Use the **show tcp ports** command to display TCP port information.

Displaying UDP Information

UDP is a secondary transport-layer protocol that uses IP for delivery. UDP is not connection-oriented and does not provide reliable end-to-end delivery of datagrams. But some applications can safely use UDP to send datagrams that do not require the extra overhead added by TCP. Use the **show udp statistics** command to display UDP statistics. Use the **show udp ports** command to display UDP port information.

Verifying the IP Configuration

A summary of the show commands used for verifying the IP configuration is given here:

show ip interface	Displays the usability status of interfaces configured for IP.
show ip route	Displays the IP Forwarding table.
show ip router database	Displays a list of all routes (static and dynamic) that exist in the IP router database.
show ip config	Displays IP configuration parameters.
show ip protocols	Displays switch routing protocol information and status.
show ip service	Displays the current status of TCP/UDP service ports. Includes service name and well-known port number.
show arp	Displays the ARP table.
show icmp control	This command allows the viewing of the ICMP control settings.
show ip dos config	Displays the configuration parameters of the DoS scan for the switch.
show ip dos statistics	Displays the statistics on detected port scans for the switch.

For more information about the displays that result from these commands, see the *OmniSwitch CLI Reference Guide*.

13 Configuring RIP

Routing Information Protocol (RIP) is a widely used Interior Gateway Protocol (IGP) that uses hop count as its routing metric. RIP-enabled routers update neighboring routers by transmitting a copy of their own routing table. The RIP routing table uses the most efficient route to a destination, that is, the route with the fewest hops and longest matching prefix.

The switch supports RIP version 1 (RIPv1), RIP version 2 (RIPv2), and RIPv2 that is compatible with RIPv1. It also supports text key and MD5 authentication, on an interface basis, for RIPv2.

In This Chapter

This chapter describes RIP and how to configure it through the Command Line Interface (CLI). It includes instructions for configuring basic RIP routing, and fine-tuning RIP using optional RIP configuration parameters (e.g., RIP send/receive option, RIP interface metric). It also details RIP redistribution, which allows a RIP network to exchange routing information with networks running different protocols (e.g., OSPF, BGP). CLI commands are used in the configuration examples; for more details about the syntax of commands, see the *OmniSwitch CLI Reference Guide*.

This chapter provides an overview of RIP and includes information about the following procedures:

- RIP Routing
 - Loading RIP (see page [13-6](#))
 - Enabling RIP (see page [13-6](#))
 - Creating a RIP Interface (see page [13-7](#))
 - Enabling a RIP Interface (see page [13-7](#))
- RIP Options
 - Configuring the RIP Forced Hold-down Interval (see page [13-9](#))
 - Enabling a RIP Host Route (see page [13-9](#))
- RIP Redistribution
 - Enabling RIP Redistribution (see page [13-10](#))
 - Configuring RIP Redistribution Policies (see page [13-10](#))
 - Configuring RIP Redistribution Filters (see page [13-11](#))
- RIP Security
 - Configuring Authentication Type (see page [13-14](#))
 - Configuring Passwords (see page [13-15](#))

RIP Specifications

RFCs Supported	RFC 1058–RIP v1 RFC 2453–RIP v2 RFC 1722–RIP v2 Protocol Applicability Statement RFC 1724–RIP v2 MIB Extension
----------------	---

RIP Defaults

The following table lists the defaults for RIP configuration through the **ip rip** command.

Description	Command	Default
RIP Status	ip rip status	disable
RIP Forced Hold-down Interval	ip rip force-holddowntimer	0
RIP Interface Metric	ip rip interface metric	1
RIP Interface Send Version	ip rip interface send-version	v2
RIP Interface Receive Version	ip rip interface recv-version	both
RIP Host Route	ip rip host-route	enable
RIP Route Tag	ip rip route-tag	0
Redistribution Status	ip rip redist status	disable
Redistribution Metric	ip rip redist metric	0
Redistribution Filter Effect	ip rip redist-filter effect	permit
Redistribution Filter Metric	ip rip redist-filter metric	0
Redistribution Filter Control	ip rip redist-filter redist-control	all-subnets
Redistribution Filter Route Tag	ip rip redist-filter route-tag	0
RIP Interface Authentication	ip rip interface auth-type	none

Quick Steps for Configuring RIP Routing

To forward packets to a device on a different VLAN, you must create a router port on each VLAN. To route packets using RIP, you must enable RIP and create a RIP interface on the router port. The following steps show you how to enable RIP routing between VLANs “from scratch”. If active VLANs and router ports have already been created on the switch, go to Step 7.

- 1 Create VLAN 1 with a description (e.g., VLAN 1) using the **vlan** command. For example:

```
-> vlan 1 name "VLAN 1"
```

- 2 Create VLAN 2 with a description (e.g., VLAN 2) using the **vlan** command. For example:

```
-> vlan 2 name "VLAN 2"
```

- 3 Assign an active port to VLAN 1 using the **vlan port default** command. For example, the following command assigns port 1 on slot 1 to VLAN 1:

```
-> vlan 1 port default 1/1
```

- 4 Assign an active port to VLAN 2 using the **vlan port default** command. For example, the following command assigns port 2 on slot 1 to VLAN 2:

```
-> vlan 2 port default 1/2
```

- 5 Create an IP router port on VLAN 1 using the **vlan router ip** command. For example:

```
-> vlan 1 router ip 171.10.1.1
```

- 6 Create an IP router port on VLAN 2 using the **vlan router ip** command. For example:

```
-> vlan 2 router ip 171.11.1.1
```

- 7 Load RIP into switch memory using the **ip load rip** command. For example:

```
-> ip load rip
```

- 8 Enable RIP on the switch using the **ip rip status** command. For example:

```
-> ip rip status enable
```

- 9 Create a RIP interface on VLAN 1 using the **ip rip interface** command. For example:

```
-> ip rip interface 171.10.1.1
```

- 10 Enable the RIP interface using the **ip rip interface status** command. For example:

```
-> ip rip interface 171.10.1.1 status enable
```

- 11 Create a RIP interface on VLAN 2 using the **ip rip interface** command. For example:

```
-> ip rip interface 171.11.1.1
```

- 12 Enable the RIP interface using the **ip rip interface status** command. For example:

```
-> ip rip interface 171.11.1.1 status enable
```

- 13 Enable redistribution of local routes on the switch using the **ip rip redistrib** command. For example:

```
-> ip rip redistrib local
```

14 Use the `ip rip redist-filter` command to redistribute all local routes. For example:

```
-> ip rip redist-filter local 0.0.0.0 0.0.0.0
```

15 Enable RIP redistribution using the `ip rip redist status` command. For example:

```
-> ip rip redist status enable
```

Note. For more information on VLANs and router ports, see [Chapter 4, “Configuring VLANs.”](#)

RIP Overview

In switching, traffic may be transmitted from one media type to another within the same VLAN. Switching happens at Layer 2, the link layer; routing happens at Layer 3, the network layer. In IP routing, traffic can be transmitted across VLANs. When IP routing is enabled, the switch uses routing protocols to build routing tables that keep track of stations in the network and decide the best path for forwarding data. When the switch receives a packet to be routed, it strips off the MAC header and examines the IP header. It looks up the source/destination address in the routing table, and then adds the appropriate MAC address to the packet. Calculating routing tables and stripping/adding MAC headers to packets is performed by switch software.

IP is associated with several Layer 3 routing protocols. RIP is built into the base code loaded onto the switch. Others are part of Alcatel’s optional Advanced Routing Software. IP supports the following IP routing protocols:

- **RIP**—An IGP that defines how routers exchange information. RIP makes routing decisions using a “least-cost path” method. RIPv1 and RIPv2 services allow the switch to learn routing information from neighboring RIP routers. For more information and instructions for configuring RIP, see [“RIP Routing” on page 13-5](#).
- **Open Shortest Path First (OSPF)**—An IGP that provides a routing function similar to RIP but uses different techniques to determine the best route for a datagram. OSPF is part of Alcatel’s optional Advanced Routing Software. For more information see the “Configuring OSPF” chapter in the *OmniSwitch 6800 Advanced Routing Configuration Guide*.

When RIP is initially enabled on a switch, it issues a request for routing information, and listens for responses to the request. If a switch configured to supply RIP hears the request, it responds with a response packet based on information in its routing database. The response packet contains destination network addresses and the routing metric for each destination. When a RIP response packet is received, RIP takes the information and rebuilds the switch’s routing database, adding new routes and “better” (lower metric) routes to destinations already listed in the database.

RIP uses a hop count metric to measure the distance to a destination. In the RIP metric, a switch advertises directly connected networks at a metric of 1. Networks that are reachable through one other gateway are 2 hops, networks that are reachable through two gateways are 3 hops, etc. Thus, the number of hops (or hop count) along a path from a given source to a given destination refers to the number of networks that are traversed by a datagram along that path. When a switch receives a routing update that contains a new or changed destination network entry, the switch adds one to the metric value indicated in the update and enters the network in the routing table. After updating its routing table, the switch immediately begins transmitting routing updates to inform other network switches of the change. These updates are sent independently of the regularly scheduled updates. By default, RIP packets are broadcast every 30 seconds, even if no change has occurred anywhere in a route or service.

RIP deletes routes from the database if the next switch to that destination says the route contains more than 15 hops. In addition, all routes through a gateway are deleted by RIP if no updates are received from that gateway for a specified time period. If a gateway is not heard from for 180 seconds, all routes from that gateway are placed in a hold-down state. If the hold-down timer value is exceeded, the routes are deleted from the routing database. These intervals also apply to deletion of specific routes.

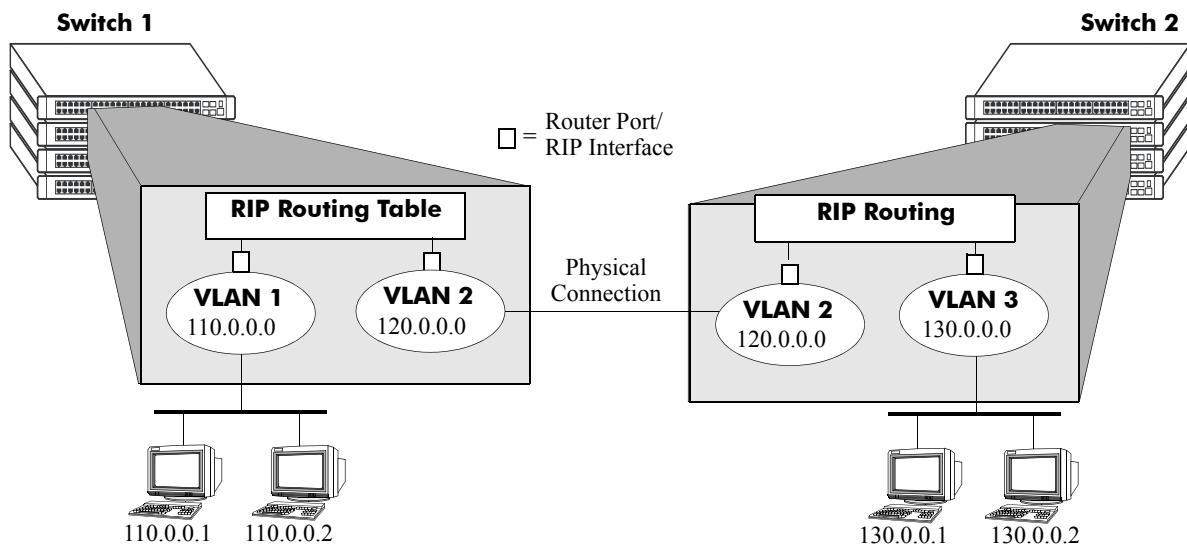
RIP Version 2

RIP version 2 (RIPv2) adds additional capabilities to RIP. Not all RIPv2 enhancements are compatible with RIPv1. To avoid supplying information to RIPv1 routes that could be misinterpreted, RIPv2 can only use non-compatible features when its packets are multicast. Multicast is not supported by RIPv1. On interfaces that are not compatible with IP multicast, the RIPv1-compatible packets used do not contain potentially confusing information. RIPv2 enhancements are listed below.

- **Next Hop**—RIPv2 can advertise a next hop other than the switch supplying the routing update. This capability is useful when advertising a static route to a silent switch not using RIP, since packets passing through the silent switch do not have to cross the network twice.
- **Network Mask**—RIPv1 assumes that all subnetworks of a given network have the same network mask. It uses this assumption to calculate the network masks for all routes received. This assumption prevents subnets with different netmasks from being included in RIP packets. RIPv2 adds the ability to specify the network mask with each network in a packet. Because RIPv1 switches ignore the network mask in RIPv2 packets, their calculation of the network mask could possibly be wrong. For this reason, RIPv1-compatible RIPv2 packets cannot contain networks that would be misinterpreted by RIPv1. These networks must only be provided in native RIPv2 packets that are multicast.
- **Authentication**—RIPv2 packets can contain an authentication key that may be used to verify the validity of the supplied routing data. Authentication may be used in RIPv1-compatible RIPv2 packets, but RIPv1 switches will ignore authentication information. The authentication is a simple password in which an authentication key of up to 16 characters is included in the packet. If this key does not match the configured authentication key, the packet is discarded. For more information on RIP authentication, see [“RIP Security” on page 13-14](#).
- **IP Multicast**—IP Multicast Switching (IPMS) is a one-to-many communication technique employed by emerging applications such as video distribution, news feeds, netcasting, and resource discovery. Unlike unicast, which sends one packet per destination, multicast sends one packet to all devices in any subnetwork that has at least one device requesting the multicast traffic. For more information on IPMS, see [Chapter 23, “Configuring IP Multicast Switching.”](#)

RIP Routing

IP routing requires IP router ports to be configured on VLANs and a routing protocol to be enabled and configured on the switch. RIP also requires a RIP interface to be created and enabled on the routing port. In the illustration below, a router port and RIP interface have been configured on each VLAN. Therefore, workstations connected to ports on VLAN 1 on Switch 1 can communicate with VLAN 2; and workstations connected to ports on VLAN 3 on Switch 2 can communicate with VLAN 2. Also, ports from both switches have been assigned to VLAN 2, and a physical connection has been made between the switches. Therefore, workstations connected to VLAN 1 on Switch 1 can communicate with workstations connected to VLAN 3 on Switch 2.



RIP Routing

Loading RIP

When the switch is initially configured, RIP must be loaded into switch memory. Use the **ip load rip** command to load RIP.

To remove RIP from switch memory, you must manually edit the **boot.cfg** file. The **boot.cfg** file is an ASCII text-based file that controls many of the switch parameters. Open the file and delete all references to RIP. You must reboot the switch when this is complete.

Note. In simple networks where only IP forwarding is required, you may not want to use RIP. If you are not using RIP, it is best not to load it to save switch resources.

Enabling RIP

RIP is disabled by default. Use the **ip rip status** command to enable RIP routing on the switch. For example:

```
-> ip rip status enable
```

Use the **ip rip status disable** command to disable RIP routing on the switch. Use the **show ip rip** command to display the current RIP status.

Creating a RIP Interface

You must create a RIP interface on a VLAN's IP router port to enable RIP routing. Enter the **ip rip interface** command followed by the IP address of the VLAN router port. For example, to create a RIP interface on a router port with an IP address of 171.15.0.1 you would enter:

```
-> ip rip interface 171.15.0.1
```

Use the **no ip rip interface** command to delete a RIP interface. Use the **show ip rip interface** command to display configuration and error information for a RIP interface.

Note. You can create a RIP interface even if an IP router port has not been configured. However, RIP will not function unless a RIP interface is created and enabled on an IP router port. For more information on VLANs and router ports, see [Chapter 4, "Configuring VLANs."](#)

Enabling a RIP Interface

Once you have created a RIP interface, you must enable it to enable RIP routing. Use the **ip rip interface status** command followed by the interface IP address to enable a RIP interface. For example, to enable RIP routing on RIP interface 171.15.0.1 you would enter:

```
-> ip rip interface 171.15.0.1 status enable
```

To disable a RIP interface, use the **disable** keyword with the **ip rip interface status** command. For example to disable RIP routing on RIP interface 171.15.0.1 you would enter:

```
-> ip rip interface 171.15.0.1 status disable
```

Configuring the RIP Interface Send Option

The RIP send option defines the type(s) of RIP packets that the interface will send. Using this command will override RIP default behavior. Other devices must be able to interpret the information provided by this command or routing information will not be properly exchanged between the switch and other devices on the network.

Use the **ip rip interface send-version** command to configure an individual RIP interface send option. Enter the IP address of the RIP interface, then enter a send option. For example, to configure RIP interface 172.22.2.115 to send only RIPv1 packets you would enter:

```
-> ip rip interface 172.22.2.115 send-version v1
```

The send options are:

- **v1.** Only RIPv1 packets will be sent by the switch.
- **v2.** Only RIPv2 packets will be sent by the switch.
- **v1compatible.** Only RIPv2 broadcast packets (not multicast) will be sent by the switch.
- **none.** Interface will not forward RIP packets.

The default RIP send option is **v2**.

Use the **show ip rip interface** command to display the current interface send option.

Configuring the RIP Interface Receive Option

The RIP receive option defines the type(s) of RIP packets that the interface will accept. Using this command will override RIP default behavior. Other devices must be able to interpret the information provided by this command or routing information will not be properly exchanged between the switch and other devices on the network.

Use the **ip rip interface rcv-version** command to configure an individual RIP interface receive option. Enter the IP address of the RIP interface, then enter a receive option. For example, to configure RIP interface 172.22.2.115 to receive only RIPv1 packets you would enter:

```
-> ip rip interface 172.22.2.115 rcv-version v1
```

The receive options are:

- **v1.** Only RIPv1 packets will be received by the switch.
- **v2.** Only RIPv2 packets will be received by the switch.
- **both.** Both RIPv1 and RIPv2 packets will be received by the switch.
- **none.** Interface ignores any RIP packets received.

The default RIP receive option is **both**.

Configuring the RIP Interface Metric

You can set priorities for routes generated by a switch by assigning a metric value to routes generated by that switch's RIP interface. For example, routes generated by a neighboring switch may have a hop count of 1. However, you can lower the priority of routes generated by that switch by increasing the metric value for routes generated by the RIP interface.

Note. When you configure a metric for a RIP interface, this metric cost is added to the metric of the incoming route.

Use the **ip rip interface metric** command to configure the RIP metric or cost for routes generated by a RIP interface. Enter the IP address of the RIP interface as well as a metric value. For example, to set a metric value of 2 for RIP interface 171.15.0.1 you would enter:

```
-> ip rip interface 171.15.0.1 metric 2
```

The valid metric range is **1** to **15**. The default is **1**.

Use the **show ip rip interface** command to display the current interface metric.

Configuring the RIP Interface Route Tag

Use the **ip rip route-tag** command to configure a route tag value for routes generated by the RIP interface. This value is used to set priorities for RIP routing. Enter the command and the route tag value. For example, to set a route tag value of 1 you would enter:

```
-> ip rip route-tag 1
```

The valid route tag value range is **1** to **2147483647**. The default is **0**.

Use the **show ip rip** command to display the current route tag value.

RIP Options

The following sections detail procedures for configuring RIP options. RIP must be loaded and enabled on the switch before you can configure any of the RIP configuration options.

Configuring the RIP Forced Hold-down Interval

The RIP forced holddown timer value defines an amount of time, in seconds, during which routing information regarding better paths is suppressed. A route enters into a forced holddown state when an update packet is received that indicates the route is unreachable and when this timer is set to a non-zero value. After this timer has expired and if the value is less than 120 seconds, the route enters a holddown state for the rest of the period until the remainder of the 120 seconds has also expired. During this time the switch will accept any advertisements for better paths that are received.

Note that the forced holddown timer is *not* the same as the RIP holddown timer. The RIP holddown timer is fixed at 120 seconds and is not configurable. The forced holddown timer defines a separate interval that overlaps the holddown state. During the forced holddown timer interval, the switch will not accept *better* routes from other gateways.

Use the `ip rip force-holddowntimer` command to configure the interval during which a RIP route remains in a forced hold-down state. Enter the command and the forced hold-down interval value, in seconds. For example, to set a forced hold-down interval value of 10 seconds you would enter:

```
-> ip rip force-holddowntimer 10
```

The valid forced hold-down timer range is **0** to **120**. The default is **0**.

Use the `show ip rip` command to display the current forced hold-down timer value.

Enabling a RIP Host Route

A host route differs from a network route, which is a route to a specific network. This command allows a direct connection to the host without using the RIP table. If a switch is directly attached to a host on a network, use the `ip rip host-route` command to enable a default route to the host. For example:

```
-> ip rip host-route
```

The default is to enable a default host route.

Use the `no ip rip host-route` command to disable the host route. Use the `show ip rip` command to display the current host route status.

RIP Redistribution

Redistribution provides a way to exchange routing information between RIP networks and OSPF and BGP networks; and also redistributes local and static routes into RIP. Basically, redistribution makes a non-RIP route look like a RIP route. Configuring RIP redistribution consists of the following tasks:

- 1 Enabling RIP Redistribution
- 2 Configuring a RIP Redistribution Policy

- 3 Configuring a RIP Redistribution Filter
 - Creating a Filter
 - Configuring a Redistribution Filter Action (optional)
 - Configuring a Redistribution Metric (optional).

Enabling RIP Redistribution

Use the **ip rip redist status** command to enable/disable redistribution. For example, to enable RIP redistribution you would enter:

```
-> ip rip redist status enable
```

RIP redistribution is disabled by default.

Use the **ip rip redist status disable** command to disable redistribution. Use the **show ip rip** command to display RIP redistribution status.

Configuring a RIP Redistribution Policy

After enabling RIP redistribution, configure a policy that defines the route types that will be redistributed into RIP. Only the route types you configure will be redistributed into RIP. When you configure a redistribution policy, RIP is automatically enabled.

Use the **ip rip redist** command to define the route types that will be redistributed. Enter the command, then enter the route type. For example, to redistribute OSPF routes into RIP you would enter:

```
-> ip rip redist ospf
```

The redistribution route types are:

- **local.** Redistribute local routes into RIP.
- **static.** Redistribute static routes into RIP.
- **ospf.** Redistribute routes learned through OSPF into RIP.

Use the **no ip rip redist** command to delete a redistribution policy. For example, to “turn off” redistribution of OSPF routes you would enter:

```
-> no ip rip redist ospf
```

Note. If you are configuring more than one route type, you must repeat the command for each one.

Use the **show ip rip redist** command to display the status of RIP policies.

Configuring a Redistribution Metric

When redistributing routes into RIP, the metric for the redistributed route is calculated as a summation of the route's metric and the corresponding metric in the redistribution policy. This is the case when the matching filter metric is 0 (the default). However, if the matching redistribution filter metric is set to a non-zero value, the redistributed route's metric is set to the filter metric. This gives better control of the metric when redistributing non-RIP routes into RIP.

Note that if the metric calculated for the redistributed route, as described above, is *greater* than 15 (RIP_UNREACHABLE) or *greater* than the metric of an existing pure RIP route, the new route is not redistributed.

Use the **ip rip redist metric** command to configure the RIP metric or cost for a route type. Enter the command, specify the route type to be redistributed, then enter a metric value. For example:

```
-> ip rip redist ospf metric 2
```

The valid metric range is **0** to **15** (default is **0**).

Note. You must configure a redistribution policy before configuring a redistribution metric for that type. See [“Configuring a RIP Redistribution Policy” on page 13-10](#) for information on configuring redistribution policies. If you are configuring a metric value for more than one route type, you must repeat the command for each one.

Configuring a RIP Redistribution Filter

After configuring a redistribution policy (e.g., OSPF), you must specify what routes will be redistributed by configuring a redistribution filter. Only routes matching the policy and destination specified in the filter will be redistributed into RIP. Creating a RIP redistribution filter consists of the following steps:

- Creating a Redistribution Filter
- Configuring the Redistribution Filter Action (optional)
- Configuring the Redistribution Filter Metric (optional)
- Configuring the Redistribution Filter Route Control Action (optional)
- Configuring a Redistribution Filter Route Tag (optional).

Note. You must first configure a redistribution policy before configuring a filter for a route type. See [“Configuring a RIP Redistribution Policy” on page 13-10](#) for information on configuring redistribution policies.

Creating a Redistribution Filter

Use the **ip rip redist-filter** command to create a RIP redistribution filter. Enter the command, the route type, and destination IP address and mask of the traffic you want to redistribute. Only routes matching the policy and destination specified in the filter will be redistributed into RIP and passed to the destination. For example to redistribute OSPF routes destined for the 10.0.0.0 network you would enter:

```
-> ip rip redist-filter ospf 10.0.0.0 255.0.0.0
```

Note. A network/subnetwork of 0.0.0.0. 0.0.0.0 will redistribute all routes for the configured route type.

Use the **no ip rip redist-filter** command to delete a filter. For example, to “turn off” redistribution for OSPF routes to the 10.0.0.0 network you would enter:

```
-> no ip rip redist-filter ospf 10.0.0.0 255.0.0.0
```

Use the **show ip rip redist-filter** command to display the currently-configured redistribution filters.

Note. Local interfaces will not be added to the RIP routing table unless RIP redistribution is enabled and a filter is added for the local protocol.

Configuring a Redistribution Filter Action

By default, redistribution filters allow (permit) routes that match the criteria specified in the filter to be redistributed. However, you can use the redistribution filter action feature to “fine-tune” a filter. You may want to redistribute all routes to a network except routes destined for a particular subnet. In this case, you would “permit” all traffic to the network but “deny” traffic to a particular subnet.

Use the **ip rip redist-filter effect** command to configure the redistribution filter action. Enter the command, specify the route type to be redistributed, enter the destination IP address/mask, then enter whether to permit redistribution (**permit**) or deny redistribution (**deny**).

For example, if you wanted to redistribute all OSPF routes to the 172.22.0.0 network except routes to subnetwork 3 you would use the following commands:

```
-> ip rip redist-filter ospf 172.22.0.0 255.255.0.0 effect permit
-> ip rip redist-filter ospf 172.22.3.0 255.255.255.0 effect deny
```

Configuring a Redistribution Filter Metric

You can prioritize redistribution of route types to a network by assigning a metric value to a route type(s). The default redistribution filter metric is 1. However, you can lower the priority of a route type by increasing its metric value. For example, if you want to give priority to OSPF routes to a particular network, you would set the metric value for the other route types to 2.

Use the **ip rip redist-filter metric** command to configure a metric value. Enter the command, specify the route type to be redistributed, enter the destination IP address/mask, then enter the metric value. For example, if you wanted to lower the priority of OSPF routes to a network, and all other route types were set to the default metric of 1, you would set a metric value of 2 for OSPF routes destined for that network.

```
-> ip rip redist-filter metric ospf 172.22.0.0 255.255.0.0 metric 2
```

Note. If you are configuring a metric value for more than one route type, you must repeat the command for each one.

The redistribution filter metric range is **0** to **15**. The default is **0**.

Configuring the Redistribution Filter Route Control Action

In certain cases, the specified route to be filtered will be either an aggregate route or a subnet. In these cases, the route may be comprised of several routes. It is possible to redistribute these routes separately or not using the **ip rip redist-filter redist-control** command. Enter the command, specify the route type to be redistributed, enter the destination IP address/mask, then enter a route control action:

- **all-subnets.** Redistributes all subnet routes that match this filter, if permitted (default).
- **aggregate.** Redistributes an aggregate route if there are one or more routes that match this filter.
- **no-subnets.** Redistributes only those routes that exactly match the redistribution filter.

For example, if the route being filtered is an aggregate or subnet route, and the routes that comprise the aggregate or subnet route should not be redistributed, enter the **ip rip redist-filter redist-control** command, and the **no-subnets** keyword.

```
-> ip rip redist-filter ospf 172.22.0.0 255.255.0.0 redist-control no-subnets
```

Note. By default, filters are set to allow subnet routes to be advertised. If this is the filter action desired, it is not necessary to use the **redist-control** keyword.

Configuring a Redistribution Filter Route Tag

The redistribution route tag specifies the route tag with which routes matching a filter are redistributed into RIP. The default value is zero (0), which means that the route tag used will be the one in the route, if specified.

Use the **ip rip redist-filter route-tag** command to configure a redistribution route tag. Enter the command, specify the route type to be redistributed, enter the destination IP address/mask, then enter the route tag value. For example, if you wanted to configure a route tag value of 1 for OSPF routes to the 172.22.0.0 network you would enter:

```
-> ip rip redist-filter ospf 172.22.0.0 255.255.0.0 route-tag 1
```

RIP Security

By default, there is no authentication used for a RIP. However, you can configure a password for a RIP interface. To configure a password, you must first select the authentication type (simple or MD5), then configure a password.

Configuring Authentication Type

If simple or MD5 password authentication is used, both switches on either end of a link must share the same password. Use the **ip rip interface auth-type** command to configure the authentication type. Enter the IP address of the RIP interface, then enter an authentication type:

- **none.** No authentication will be used.
- **simple.** Simple password authentication will be used.
- **md5.** MD5 authentication will be used.

For example, to configure RIP interface 172.22.2.115 for simple authentication you would enter:

```
-> ip rip interface 172.22.2.115 auth-type simple
```

To configure RIP interface 172.22.2.115 for MD5 authentication you would enter:

```
-> ip rip interface 172.22.2.115 md5 auth-type md5
```

Configuring Passwords

If you configure simple or MD5 authentication you must configure a text string that will be used as the password for the RIP interface. If a password is used, all switches that are intended to communicate with each other must share the same password.

After configuring the interface for simple authentication as described above, configure the password for the interface using the **ip rip interface auth-key** command. Enter the IP address of the RIP interface, then enter a 16-byte text string. For example to configure a password “nms” you would enter:

```
-> ip rip interface 172.22.2.115 auth-key nms
```

Verifying the RIP Configuration

A summary of the show commands used for verifying the RIP configuration is given here:

show ip rip	Displays RIP status and general configuration parameters (e.g., forced hold-down timer).
show ip rip routes	Displays the RIP routing database. The routing database contains all of the routes learned through RIP.
show ip rip interface	Displays RIP interface status and configuration.
show ip rip peer	Displays active RIP neighbors (peers).
show ip rip redistrib	Displays general RIP redistribution parameters.
show ip rip redistrib-filter	Displays currently-configured RIP redistribution filters.

For more information about the displays that result from these commands, see the *OmniSwitch CLI Reference Guide*.

14 Configuring RDP

The Router Discovery Protocol (RDP) is an extension of ICMP that allows end hosts to discover routers on their networks. This implementation of RDP supports the router requirements as defined in RFC 1256.

In This Chapter

This chapter describes the RDP feature and how to configure RDP parameters through the Command Line Interface (CLI). CLI commands are used in the configuration examples; for more details about the syntax of commands, see the *OmniSwitch CLI Reference Guide*.

The following procedures are described:

- [“Enabling/Disabling RDP” on page 14-8.](#)
- [“Creating an RDP Interface” on page 14-8.](#)
- [“Specifying an Advertisement Destination Address” on page 14-9.](#)
- [“Defining the Advertisement Interval” on page 14-9.](#)
- [“Setting the Advertisement Lifetime” on page 14-10.](#)
- [“Setting the Preference Levels for Router IP Addresses” on page 14-10.](#)
- [“Verifying the RDP Configuration” on page 14-11.](#)

RDP Specifications

RFCs Supported	RFC 1256–ICMP Router Discovery Messages
Router advertisements	Supported
Host solicitations	Only responses to solicitations supported in this release.
Maximum number of RDP interfaces per switch	One for each available IP interface configured on the switch.
Advertisement destination addresses	224.0.0.1 (all systems multicast) 255.255.255.255 (broadcast)

RDP Defaults

Parameter Description	CLI Command	Default Value/Comments
RDP status for the switch	ip router-discovery	Disabled
RDP status for switch interfaces (router VLAN IP addresses)	ip router-discovery interface	Disabled
Advertisement destination address for an active RDP interface.	ip router-discovery interface advertisement-address	All systems multicast (224.0.0.1)
Maximum time between advertisements sent from an active RDP interface	ip router-discovery interface max-advertisement-interval	600 seconds
Minimum time between advertisements sent from an active RDP interface	ip router-discovery interface min-advertisement-interval	450 seconds (0.75 * maximum advertisement interval)
Maximum time IP addresses contained in an advertisement packet are considered valid	ip router-discovery interface advertisement-lifetime	1800 seconds (3 * maximum advertisement interval)
Preference level for IP addresses contained in an advertisement packet	ip router-discovery interface preference-level	0

Quick Steps for Configuring RDP

Configuring RDP involves enabling RDP operation on the switch and creating RDP interfaces to advertise VLAN router IP addresses on the LAN. There is no order of configuration involved. For example, it is possible to create RDP interfaces even if RDP is not enabled on the switch.

The following steps provide a quick tutorial on how to configure RDP. Each step describes a specific operation and provides the CLI command syntax for performing that operation.

1 Enable RDP operation on the switch.

```
-> ip router-discovery enable
```

Note. *Optional.* To verify the global RDP configuration for the switch, enter the **show ip router-discovery** command. The display is similar to the one shown below:

```
-> show ip router-discovery
Status                = Enabled,
RDP uptime            = 161636 secs
#Packets Tx           = 4,
#Packets Rx           = 0,
#Send Errors          = 0,
#Recv Errors          = 0,
```

For more information about this command, refer to the “RDP Commands” chapter in the *OmniSwitch CLI Reference Guide*.

2 Create an RDP interface for a router IP address. In this example, the interface has an address of 172.17.6.2:

```
-> ip router-discovery interface 172.17.6.2 enable
```

3 When an RDP interface is created, default values are set for the interface advertisement destination address, transmission interval, lifetime, and preference level parameters. If you want to change the default values for these parameters, see “Creating an RDP Interface” on page 14-8 for more information.

Note. *Optional.* To verify the RDP configuration for all RDP interfaces, enter the **show ip router-discovery interface** command. The display is similar to the one shown below:

```
-> show ip router-discovery interface
      IP Address      vlan  IP i/f  RDP i/f  VRRP i/f  Next  #Pkts
      IP Address      vlan  status  status  status(#mast)  Advt sent/recvd
-----+-----+-----+-----+-----+-----+-----
11.255.4.1          200  Disabled  Enabled  Disabled(0)    9    0    0
12.255.5.2          300  Disabled  Enabled  Disabled(0)    3    0    0
100.10.10.2         2    Enabled   Enabled  Enabled(2)    443  3    0
```

To verify the configuration for a specific RDP interface, specify the interface IP address when using the **show ip router-discovery interface** command. The display is similar to the one shown below.

```
-> show ip router-discovery interface 100.10.10.2
Interface IP Address           = 100.10.10.2,
Interface IP Mask              = 255.255.255.0,
IP Interface Number (VLANId)  = 2,
IP Interface                   = Yes,
IP Interface status           = Enabled,
RDP Interface                  = Yes,
RDP Interface status          = Enabled,
VRRP Interface status         = Enabled,
VRRP masters(2 )              = 100.10.10.2, 100.10.10.3,
Advertisement address          = 224.0.0.1,
Max Advertisement interval    = 600 secs,
Min Advertisement interval    = 450 secs,
Advertisement lifetime         = 1800 secs,
Preference Level               = 0x0,
#Packets sent                  = 3,
#Packets received              = 0,
```

For more information about this command, refer to the “RDP Commands” chapter in the *OmniSwitch CLI Reference Guide*.

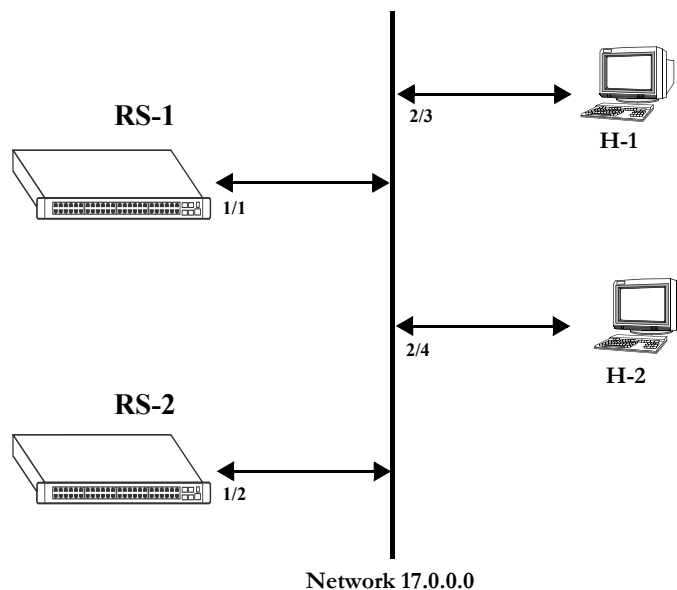
RDP Overview

End hosts (clients) sending traffic to other networks need to forward their traffic to a router. In order to do this, hosts need to find out if one or more routers exist on their LAN and learn their IP addresses. One way to discover neighboring routers is to manually configure a list of router IP addresses that the host reads at startup. Another method available involves listening to routing protocol traffic to gather a list of router IP addresses.

RDP provides an alternative method for hosts to discover routers on their network that involves the use of ICMP advertisement and solicitation messages. Using RDP, hosts attached to multicast or broadcast networks send solicitation messages when they start up. Routers respond to solicitation messages with an advertisement message that contains the router IP addresses. In addition, routers send advertisement messages when their RDP interface becomes active and then subsequently at random intervals.

When a host receives a router advertisement message, it adds the IP addresses contained in the message to its list of default router gateways in the order of preference. As a result, the list of router IP addresses is dynamically created and maintained, eliminating the need for manual configuration of such a list. In addition, hosts do not have to recognize many different routing protocols to discover router IP addresses.

The following diagram illustrates an example of using RDP in a typical network configuration:



When interfaces 2/3 and 2/4 on hosts H-1 and H-2, respectively, become active, they transmit router solicitation ICMP messages on Network 17.0.0.0. RDP enabled routers RS-1 and RS-2 pick up these packets on their RDP interfaces 1/1 and 1/2 and respond with router advertisement ICMP messages. RS-1 and RS-2 also periodically send out router advertisements on their RDP interfaces.

RDP Interfaces

An RDP interface is created by enabling RDP on a VLAN router IP address. Once enabled, the RDP interface becomes active and joins the all-routers IP multicast group (224.0.0.2). The interface then transmits 3 initial router advertisement messages at random intervals that are no greater than 16 seconds apart. This process occurs upon activation to increase the likelihood that end hosts will quickly discover this router.

After an RDP interface becomes active and transmits its initial advertisements, subsequent advertisements are transmitted at random intervals that fall between a configurable range of time. This range of time is defined by specifying a maximum and minimum advertisement interval value. See [“Defining the Advertisement Interval” on page 14-9](#) for more information. Because advertisements are transmitted at random intervals, the risk of system overload is reduced as advertisements from other routers on the same link are not likely to transmit at the same time.

It is important to note that advertisements are only transmitted on RDP interfaces if the following conditions are met:

- The RDP global status is enabled on the switch.
- An IP interface exists and is in the enabled state.
- An RDP interface exists and is in the enabled state.
- Either VRRP is disabled or if VRRP is enabled, there is one or more Master IP addresses for the VLAN. If VRRP is enabled and if there are no Masters IP addresses, router advertisements are not sent on the VLAN. (See [Chapter 16, “Configuring VRRP,”](#) for more information.)

The router advertisement is a multicast packet sent to the all-systems IP multicast group (224.0.0.1) or the broadcast address. If VRRP is enabled, the message should be filled with IP addresses obtained from VRRP Master IP address list; otherwise the IP address of this VLAN is used.

Note that RDP is not recommended for detecting neighboring router failures, referred to as black holes, in the network. However, it is possible to use RDP as a supplement for black hole detection by setting RDP interface advertisement interval and lifetime values to values lower than the default values for these parameters. See [“Defining the Advertisement Interval” on page 14-9](#) and [“Setting the Advertisement Lifetime” on page 14-10](#) for more information.

Security Concerns

ICMP RDP packets are not authenticated, which makes them vulnerable to the following attacks:

- **Passive monitoring**—Attackers can use RDP to re-route traffic from vulnerable systems through the attacker's system. This allows the attacker to monitor or record one side of the conversation. However, the attacker must reside on the same network as the victim for this scenario to work.
- **Man in the middle**—Attacker modifies any of the outgoing traffic or plays man in the middle, acting as a proxy between the router and the end host. In this case, the victim thinks that it is communicating with an end host, not an attacker system. The end host thinks that it is communicating with a router because the attacker system is passing information through to the host from the router. If the victim is a secure web server that uses SSL, the attacker sitting in between the server and an end host could intercept unencrypted traffic. As is the case with passive monitoring, the attacker must reside on the same network as the victim for this scenario to work.
- **Denial of service (DoS)**—Remote attackers can spoof these ICMP packets and remotely add bad default-route entries into a victim's routing table. This would cause the victim to forward frames to the wrong address, thus making it impossible for the victim's traffic to reach other networks. Because of the large number of vulnerable systems and the fact that this attack will penetrate firewalls that do not stop incoming ICMP packets, this DoS attack can become quite severe. (See [Chapter 12, "Configuring IP,"](#) and for more information about DoS attacks.)

Note. Security concerns associated with using RDP are generic to the feature as defined in RFC 1256 and not specific to this implementation.

Enabling/Disabling RDP

RDP is included in the base software and is available when the switch starts up. However, by default this feature is not operational until it is enabled on the switch.

To enable RDP operation on the switch, use the following command:

```
-> ip router-discovery enable
```

Once enabled, any existing RDP interfaces on the switch that are also enabled will activate and start to send initial advertisements. See “RDP Interfaces” on page 14-6 for more information.

To disable RDP operation on the switch, use the following command:

```
-> ip router-discovery disable
```

Use the **show ip router-discovery** command to determine the current operational status of RDP on the switch.

Creating an RDP Interface

An RDP interface is created by enabling RDP for a specified VLAN router IP address. Note that it is not necessary to first configure a VLAN router IP address before creating an RDP interface.

To create an RDP interface, enter **ip router-discovery interface** followed by an IP address then **enable**. For example, the following command creates an RDP interface for VLAN router IP 17.255.10.2:

```
-> ip router-discovery interface 17.255.10.2 enable
```

The first time an RDP interface is enabled, it is not necessary to enter **enable** as part of the command. However, if the interface is subsequently disabled, then entering **enable** is required the next time this command is used. For example, the following sequence of commands initially enables RDP interface 17.255.10.2 then disables and again enables the same interface:

```
-> ip router-discovery interface 17.255.10.2
-> ip router-discovery interface 17.255.10.2 disable
-> ip router-discovery interface 17.255.10.2 enable
```

When the above RDP interface becomes active, advertisement packets are transmitted on all active ports that belong to the IP router VLAN. These packets contain IP address 17.255.10.2 for the purposes of advertising this address as a router on the network connections provided by ports associated with the router VLAN.

When an RDP interface is created, it is automatically configured with the following default parameter values:

RDP Interface Parameter	Default
Advertisement destination address.	All systems multicast (224.0.0.1)
Advertisement time interval defined by maximum and minimum values.	Maximum = 600 seconds Minimum = 450 seconds (0.75 * maximum value)
Advertisement lifetime.	1800 seconds (3 * maximum value)
Router IP address preference level.	0

It is only necessary to change the above parameter values if the default value is not sufficient. The following subsections provide information about how to configure RDP interface parameters if it is necessary to use a different value.

Specifying an Advertisement Destination Address

Active RDP interfaces transmit advertisement packets at random intervals and in response to ICMP solicitation messages received from network hosts. These packets are sent to one of two supported destination addresses: all systems multicast (224.0.0.1) or broadcast (255.255.255.255).

By default, RDP interfaces are configured to use the 224.0.0.1 as the destination address. To change the RDP destination address, use the **ip router-discovery interface advertisement-address** command. For example, the following command changes the destination address to the broadcast address:

```
-> ip router-discovery interface 17.255.10.2 advertisement-address broadcast
```

Enter **all-systems-multicast** when using this command to change the destination address to 224.0.0.1. For example:

```
-> ip router-discovery interface 17.255.10.2 advertisement-address all-systems-multicast
```

Defining the Advertisement Interval

The advertisement interval represents a range of time, in seconds, in which RDP will transmit advertisement packets at random intervals. This range is defined by configuring a maximum amount of time that RDP will not exceed before the next transmission and configuring a minimum amount of time that RDP will observe before sending the next transmission. Both of these values are referred to as the maximum advertisement interval and the minimum advertisement interval.

Note that when an RDP interface becomes active, it transmits 3 advertisement packets at intervals no greater than 16 seconds. This facilitates a quick discovery of this router on the network. After these initial transmissions, advertisements occur at random times within the advertisement interval value or in response to solicitation messages received from network hosts.

Setting the Maximum Advertisement Interval

To set the maximum amount of time, in seconds, that RDP will allow between advertisements, use the **ip router-discovery interface max-advertisement-interval** command. For example, the following command sets this value to 1500 seconds for the 17.255.10.2 router RDP interface:

```
-> ip router-discovery interface 17.255.10.2 max-advertisement-interval 1500
```

Make sure that the value specified with this command is *greater* than the current minimum advertisement interval value. By default, this value is set to 600 seconds.

Setting the Minimum Advertisement Interval

To set the minimum amount of time, in seconds, that RDP will allow between advertisements, use the **ip router-discovery interface min-advertisement-interval** command. For example, the following command sets this value to 500 seconds for the 17.255.10.2. router RDP interface:

```
-> ip router-discovery interface 17.255.10.2 min-advertisement-interval 500
```

Make sure that the value specified with this command is *less* than the current maximum advertisement interval value. By default, this value is set to 0.75 * default maximum interval value (450 seconds if the maximum interval is set to its default value of 600 seconds).

Setting the Advertisement Lifetime

The advertisement lifetime value indicates how long, in seconds, the router IP address contained in an advertisement packet is considered valid by a host. This value is entered into the lifetime field of an advertisement packet so that it is available to hosts that receive these types of packets.

If a host does not receive another packet from the same router before the lifetime value expires, it assumes the router is no longer available and will drop the router IP address from its table. As a result, it is important that the lifetime value is always *greater* than the current maximum advertisement interval to ensure router transmissions occur before the lifetime value expires.

To set the advertisement lifetime value for packets transmitted from a specific RDP interface, use the [ip router-discovery interface advertisement-lifetime](#) command. For example, the following command sets this value to 3000 seconds for packets sent from the 17.255.10.2 router RDP interface:

```
-> ip router-discovery interface 17.255.10.2 advertisement-lifetime 3000
```

By default, the lifetime value is set to 3 * the current maximum interval value (1800 seconds if the maximum interval is set to its default value of 600 seconds).

Setting the Preference Levels for Router IP Addresses

A preference level is assigned to each router IP address contained within an advertisement packet. Hosts will select the IP address with this highest preference level to use as the default router gateway address. By default, this value is set to zero.

To specify a preference level for IP addresses advertised from a specific RDP interface, use the [ip router-discovery interface preference-level](#) command. For example, the following command sets this value to 10 for the 17.255.10.2 router RDP interface:

```
-> ip router-discovery interface 17.255.10.2 preference-level 10
```

Note that router IP address preference levels are only compared with the preference levels of other routers that exist on the same subnet. Set preference levels low to discourage selection of a specific router.

Verifying the RDP Configuration

To display information about the RDP configuration on the switch, use the **show** commands listed below:

- | | |
|---|--|
| show ip router-discovery | Displays the current operational status of RDP on the switch. Also includes the number of advertisement packets transmitted and the number of solicitation packets received by all RDP interfaces on the switch. |
| show ip router-discovery interface | Displays the current RDP status, related parameter values, and RDP traffic statistics for one or more switch router RDP interfaces. |

For more information about the resulting displays from these commands, see the *OmniSwitch CLI Reference Guide*. An example of the output for the **show ip router-discovery** and **show ip router-discovery interface** commands is also given in [“Quick Steps for Configuring RDP” on page 14-3](#).

15 Configuring DHCP Relay

The User Datagram Protocol (UDP) is a connectionless transport protocol that runs on top of IP networks. The DHCP Relay allows you to use nonroutable protocols (such as UDP) in a routing environment. UDP is used for applications that do not require the establishment of a session and end-to-end error checking. Email and file transfer are two applications that could use UDP. UDP offers a direct way to send and receive datagrams over an IP network and is primarily used for broadcasting messages. This chapter describes the DHCP Relay feature. This feature allows UDP broadcast packets to be forwarded across VLANs that have IP routing enabled.

In This Chapter

This chapter describes the basic components of DHCP Relay and how to configure them. CLI commands are used in the configuration examples. For more details about the syntax of commands, see the *OmniSwitch CLI Reference Guide*.

Configuration procedures described in this chapter include:

- Quick steps for configuring DHCP Relay on [page 15-3](#).
- Setting the IP address for Global DHCP on [page 15-8](#).
- Identifying the VLAN for Per-VLAN DHCP on [page 15-9](#).
- Enabling BOOTP/DHCP Relay on [page 15-9](#).
- Setting the Forward Delay time on [page 15-10](#).
- Setting the Maximum Hops value on [page 15-10](#).
- Setting the Relay Forwarding Option to Standard, Per-VLAN, or AVLAN on [page 15-10](#).
- Using automatic IP configuration to obtain an IP address for the switch on [page 15-11](#).

For information about the IP protocol, see [Chapter 12, “Configuring IP.”](#)

DHCP Relay Specifications

The following table lists specifications for the DHCP Relay.

RFCs Supported	0951–Bootstrap Protocol 1534–Interoperation Between DHCP and BOOTP 1541–Dynamic Host Configuration Protocol 1542–Clarifications and Extensions for the Bootstrap Protocol 2132–DHCP Options and BOOTP Vendor Extensions
DHCP Relay Implementation	Global DHCP Per-VLAN DHCP AVLAN DHCP
DHCP Relay Service	BOOTP/DHCP (Bootstrap Protocol/Dynamic Host Configuration Protocol)
UDP Port Numbers	67 for Request 68 for Response
IP address allocation mechanisms	Automatic –DHCP assigns a permanent IP address to a host. Dynamic –DHCP assigns an IP address to a host for a limited period of time (or until the host explicitly relinquishes the address). Manual –The network administrator assigns a host’s IP address and the DHCP conveys the address assigned by the host.
IP addresses supported for each Relay Service.	Maximum of 256 IP addresses for each Relay Service.
IP addresses supported for the Per-VLAN service	Maximum of 8 IP addresses for each VLAN relay service. Maximum of 256 VLAN relay services.

DHCP Relay Defaults

The following table describes the default values of the DHCP Relay parameters.

Parameter Description	Command	Default Value/Comments
Forward delay time value for DHCP Relay	<code>ip helper forward delay</code>	3 seconds
Maximum number of hops	<code>ip helper maximum hops</code>	4 hops
Packet forwarding option	<code>ip helper standard</code> <code>ip helper avlan only</code> <code>ip helper per-vlan only</code>	Standard
Automatic switch IP configuration for default VLAN 1.	<code>ip helper boot-up</code>	Disabled
Automatic switch IP configuration packet type (BootP or DHCP)	<code>ip helper boot-up enable</code>	BootP

Quick Steps for Setting Up DHCP Relay

You should configure DHCP Relay on switches where packets are routed between IP networks.

There is no separate command for enabling or disabling the relay service. DHCP Relay is automatically enabled on the switch whenever a DHCP server IP address is defined. To set up DHCP Relay, proceed as follows:

1 Identify the IP address of the DHCP server. Where the DHCP server has IP address 128.100.16.1, use the following command:

```
-> ip helper address 128.100.16.1
```

2 Set the forward delay timer for the BOOTP/DHCP relay. To set the timer for a 15 second delay, use the following command:

```
-> ip helper forward delay 15
```

3 Set the maximum hop count value. To set a hop count of 3, use the following command:

```
-> ip helper maximum hops 3
```

Note. Optional. To verify the DHCP Relay configuration, enter the **show ip helper** command. The display shown for the DHCP Relay configured in the above Quick Steps is shown here:

```
-> show ip helper
Forward Delay (seconds) = 15
Max number of hops      = 3
Forward option          = standard
Forwarding Address:
128.100.16.1
```

For more information about this display, see the “DHCP Relay” chapter in the *OmniSwitch CLI Reference Guide*.

DHCP Relay Overview

The DHCP Relay service, its corresponding port numbers, and configurable options are as follows:

- DHCP Relay Service: BOOTP/DHCP
- UDP Port Numbers 67/68 for Request/Response
- Configurable options: DHCP server IP address, Forward Delay, Maximum Hops, Forwarding Option, automatic switch IP configuration

The port numbers indicate the destination port numbers in the UDP header. The DHCP Relay will verify that the forward delay time (specified by the user) has elapsed before sending the packet down to UDP with the destination IP address replaced by the address (also specified by the user).

If the relay is configured with multiple IP addresses, then the packet will be sent to all IP address destinations. The DHCP Relay also verifies that the maximum hop count has not been exceeded. If either the forward delay time is met or the maximum hop count is exceeded, the BOOTP/DHCP packet will be discarded by the DHCP Relay.

The forwarding option allows you to specify if the relay should operate in the standard, per-VLAN only, or AVLAN-only mode. The standard mode forwards all DHCP packets on a global relay service. The per-VLAN only mode forwards DHCP packets that originate from a specific VLAN. The AVLAN-only mode only forwards packets received on authenticated ports from non-authenticated clients. See [“Setting the Relay Forwarding Option” on page 15-10](#) for more information.

An additional function provided by the DHCP Relay service enables automatic IP address configuration for default VLAN 1 when an unconfigured switch boots up. If this function is enabled, the switch broadcasts a BootP or a DHCP request packet at boot time. When the switch receives an IP address from a BootP/DHCP server, the address is assigned to default VLAN 1. See [“Enabling Automatic IP Configuration” on page 15-11](#) for more information.

Alternately the relay function may be provided by an external router connected to the switch; in this case, the relay would be configured on the external router.

DHCP

DHCP (Dynamic Host Configuration Protocol) provides a framework for passing configuration information to Internet hosts on a TCP/IP network. It is based on the Bootstrap Protocol (BOOTP), adding the ability to automatically allocate reusable network addresses and additional configuration options. DHCP consists of the following two components:

- A protocol for delivering host-specific configuration parameters from a DHCP server to a host.
- A mechanism for allocating network addresses to hosts.

DHCP is built on a client-server model in which a designated DHCP server allocates network addresses and delivers configuration parameters to dynamically configured hosts. It supports the following three mechanisms for IP address allocation.

Automatic—DHCP assigns a permanent IP address to a host.

Dynamic—DHCP assigns an IP address to a host for a limited period of time (or until the host explicitly relinquishes the address).

Manual—The network administrator assigns a host’s IP address and DHCP simply conveys the assigned address to the host.

DHCP and the OmniSwitch

The unique characteristics of the DHCP protocol require a good plan before setting up the switch in a DHCP environment. Since DHCP clients initially have no IP address, placement of these clients in a VLAN is hard to determine. In simple networks (e.g., one VLAN) rules do not need to be deployed to support the BOOTP/DHCP relay functionality.

In multiple VLAN network configurations, VLAN rules can be deployed to strategically support the processing and relay of DHCP packets. The most commonly used rules for this function are IP protocol rules, IP network address rules, and DHCP rules. All of these classify packets received on mobile ports based on the packet protocol type, source IP address, or if the packet is a DHCP request. See [Chapter 7, “Defining VLAN Rules,”](#) for more information.

DHCP Relay and Authentication

Authentication clients may use DHCP to get an IP address. For Telnet authentication clients, an IP address is required for authentication. The DHCP server may be located in the default VLAN, an authenticated VLAN, or both. If authentication clients will be getting an IP address from a DHCP server located in an authenticated VLAN, DHCP relay can handle DHCP requests/responses for these clients as well.

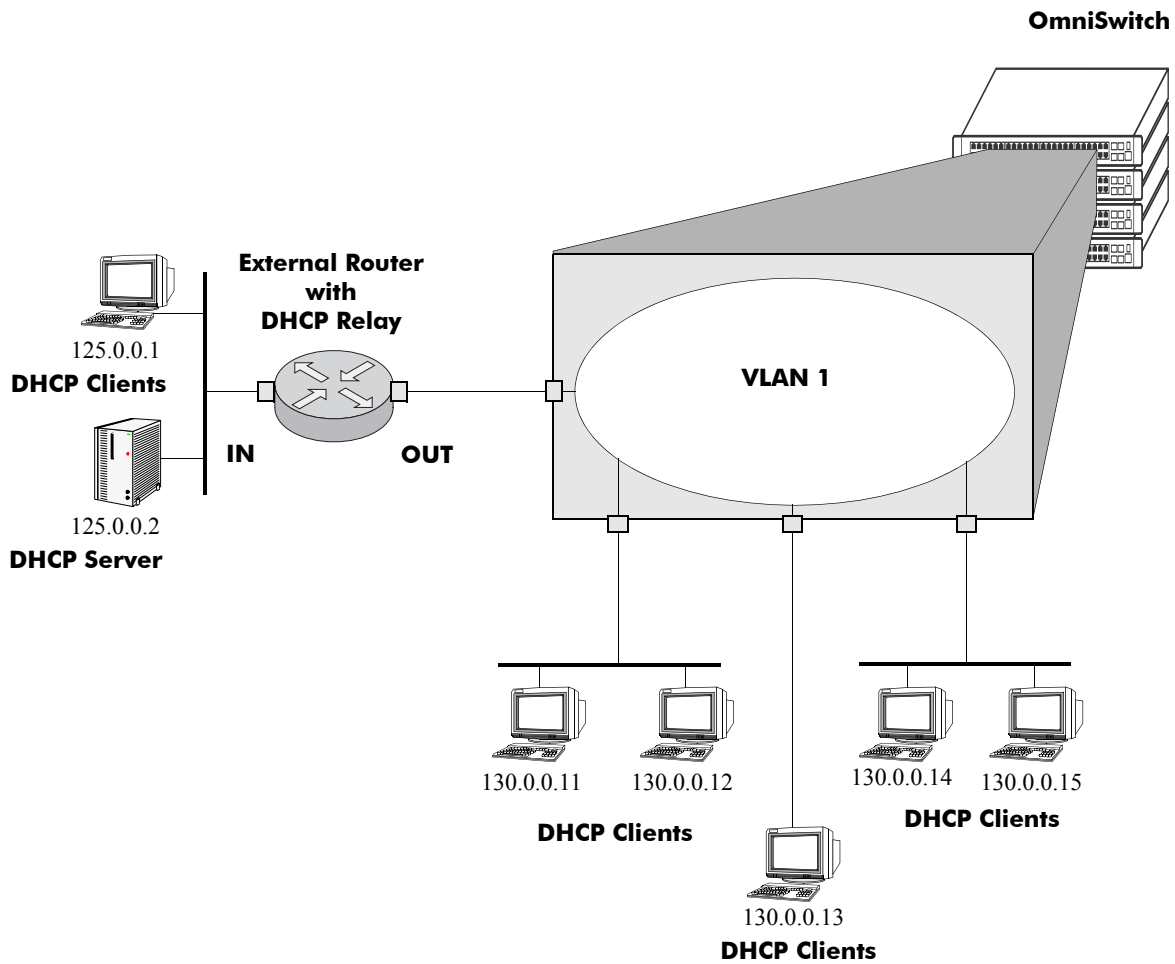
There are three relay forwarding options: standard, AVLAN only, and per-VLAN. All three support DHCP traffic to/from authenticated clients. However, the AVLAN only option specifies that only DHCP packets received on authenticated ports are processed. See [“Setting the Relay Forwarding Option” on page 15-10](#) for more information.

Using DHCP Relay with authenticated VLANs and clients also requires relay configuration of the router port address of the authenticated VLAN. See [Chapter 18, “Configuring Authenticated VLANs,”](#) for more information about this procedure.

External DHCP Relay Application

The DHCP Relay may be configured on a router that is external to the switch. In this application example the switched network has a single VLAN configured with multiple segments. All of the network hosts are DHCP-ready, meaning they obtain their network address from the DHCP server. The DHCP server resides behind an external network router, which supports the DHCP Relay functionality.

One requirement for routing DHCP frames is that the router must support DHCP Relay functionality to be able to forward DHCP frames. In this example, DHCP Relay is supported within an external router, which forwards request frames from the incoming router port to the outgoing router port attached to the OmniSwitch.



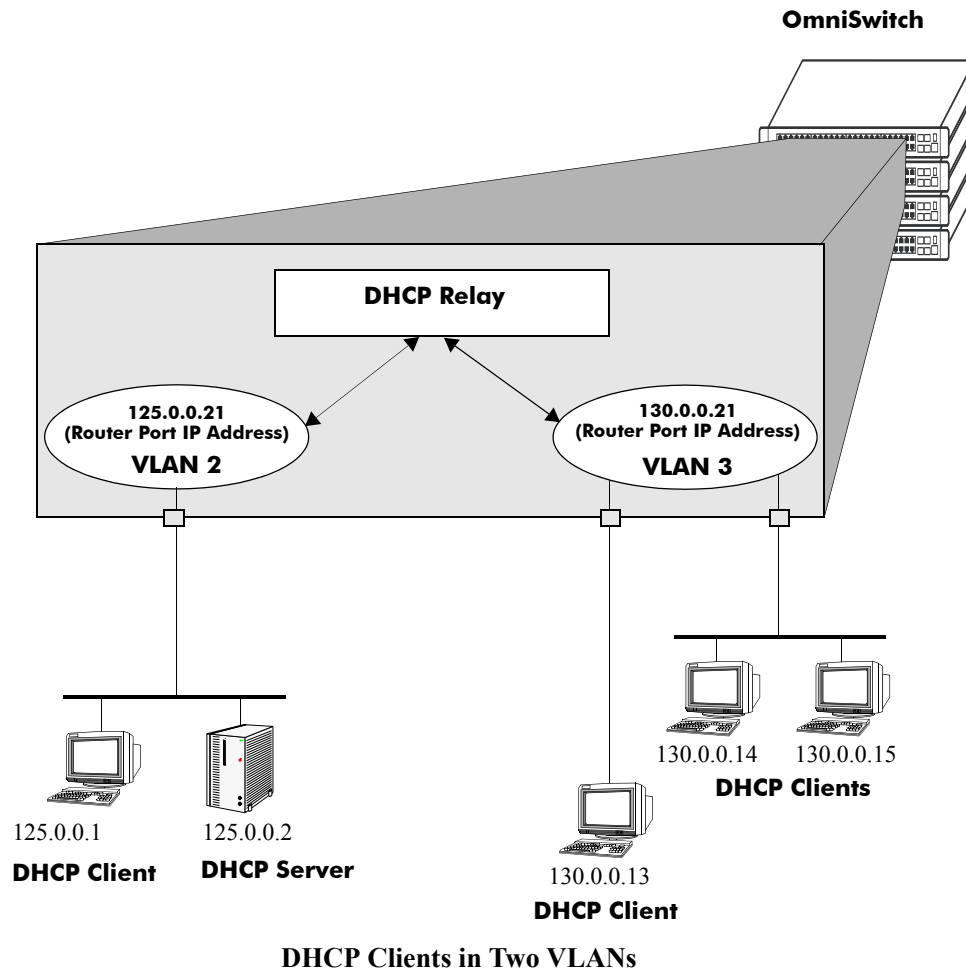
DHCP Clients are Members of the Same VLAN

The external router inserts the subnet address of the first hop segment into the DHCP request frames from the DHCP clients. This subnet address allows the DHCP server to locate the segment on which the requesting client resides. In this example, all clients attached to the OmniSwitch are DHCP-ready and will have the same subnet address (130.0.0.0) inserted into each of the requests by the router's DHCP Relay function. The DHCP server will assign a different IP address to each of the clients. The switch does not need an IP address assigned and all DHCP clients will be members of either a default VLAN or an IP protocol VLAN.

Internal DHCP Relay

The internal DHCP Relay is configured using the UDP forwarding feature in the switch, available through the **ip helper address** command. For more information, see “[DHCP Relay Implementation](#)” on page 15-8.

This application example shows a network with two VLANs, each with multiple segments. All network clients are DHCP-ready and the DHCP server resides on just one of the VLANs. This example is much like the first application example, except that the DHCP Relay function is configured inside the switch.



During initialization, each network client forwards a DHCP request frame to the DHCP server using the local broadcast address. For those locally attached stations, the frame will simply be switched.

In this case, the DHCP server and clients must be members of the same VLAN (they could also all be members of the default VLAN). One way to accomplish this is to use DHCP rules in combination with IP protocol rules to place all IP frames in the same VLAN. See [Chapter 7, “Defining VLAN Rules,”](#) for more information.

Because the clients in the application example are not members of the same VLAN as the DHCP server, they must request an IP address via the DHCP Relay routing entity in the switch. When a DHCP request frame is received by the DHCP Relay entity, it will be forwarded from VLAN 3 to VLAN 2. All the DHCP-ready clients in VLAN 3 must be members of the same VLAN, and the switch must have the DHCP Relay function configured.

DHCP Relay Implementation

The OmniSwitch allows you to configure the DHCP Relay feature in one of two ways. You can set up a global DHCP request or you can set up the DHCP Relay based on the VLAN of the DHCP request. Both of these choices provide the same configuration options and capabilities. However, they are mutually exclusive. The following matrix summarizes the options.

Per-VLAN DHCP Relay	Global DHCP Relay	Effect
Disabled	Disabled	DHCP Request is flooded within its VLAN
Disabled	Enabled	DHCP Request is relayed to the Global Relay
Enabled	Disabled	DHCP Request is relayed to the Per-VLAN Relay
Enabled	Enabled	N/A

Global DHCP

For the global DHCP service, you must identify an IP address for the DHCP server.

Setting the IP Address

The DHCP Relay is automatically enabled on a switch whenever a DHCP server IP address is defined by using the **ip helper address** command. There is no separate command for enabling or disabling the relay service. You should configure DHCP Relay on switches where packets are routed between IP networks. The following command defines a DHCP server address:

```
-> ip helper address 125.255.17.11
```

The DHCP Relay forwards BOOTP/DHCP broadcasts to and from the specified address. If multiple DHCP servers are used, one IP address must be configured for each server. You can configure up to 256 addresses for each relay service.

To delete an IP address, use the **no** form of the **ip helper address** command. The IP address specified with this syntax will be deleted. If an IP address is not specified with this syntax, then *all* IP helper addresses are deleted. The following command deletes an IP helper address:

```
-> ip helper no address 125.255.17.11
```

Per-VLAN DHCP

For the Per-VLAN DHCP service, you must identify the number of the VLAN that makes the relay request.

Identifying the VLAN

You may enter one or more server IP addresses to which packets will be sent from a specified VLAN. Do this by using the **ip helper address vlan** command. The following syntax will identify the IP address 125.255.17.11 as the DHCP server for VLAN 3.

```
-> ip helper address 125.255.17.11 vlan 3
```

The following syntax identifies two DHCP servers for VLAN 4 at two different IP addresses.

```
-> ip helper address 125.255.17.11 125.255.18.11 vlan 4
```

To delete an IP address, use the **no** form of the **ip helper address** command. The IP address specified with this syntax will be deleted. If an IP address is not specified with this syntax, then *all* IP helper addresses are deleted. The following command deletes an helper address for IP address 125.255.17.11:

```
-> ip helper no address 125.255.17.11
```

The following command deletes all IP helper addresses:

```
-> ip helper no address
```

Enabling BOOTP/DHCP Relay

Once the IP address of the DHCP server(s) is defined and the DHCP Relay is configured for either Global DHCP request or Per-VLAN DHCP request, you can set the following optional parameter values to configure BOOTP relay.

- The IP address to the DHCP server.
- The forward delay time.
- The hop count.
- The relay forwarding option.

The only parameter that is required for BOOTP relay is the IP address to the DHCP server or to the next hop to the DHCP server. The default values can be accepted for forward delay, hop count, and relay forwarding option.

Alternately the relay function may be provided by an external router connected to the switch; in this case, the relay would be configured on the external router.

Setting the Forward Delay

Forward Delay is a time period that gives the local server a chance to respond to a client before the relay forwards it further out in the network.

The UDP packet that the client sends contains the elapsed boot time. This is the amount of time, measured in seconds, since the client last booted. DHCP Relay will not process the packet unless the client's elapsed boot time value is equal to or greater than the configured value of the forward delay time. If a packet contains an elapsed boot time value that is less than the specified forward delay time value, DHCP Relay discards the packet.

The forward delay time value applies to all defined IP helper addresses. The following command sets the forward delay value of 10 seconds.

```
-> ip helper forward delay 10
```

The range for the forward delay time value is 1 to 65535 seconds.

Setting Maximum Hops

This value specifies the maximum number of relays the BOOTP/DHCP packet can go through until it reaches its server destination. This limit keeps packets from "looping" through the network. If a UDP packet contains a hop count equal to the hops value, DHCP Relay discards the packet. The following syntax is used to set a maximum of four hops.

```
-> ip helper maximum hops 4
```

The hops value represents the maximum number of relays. The range is from one to 16 hops. The default maximum hops value is set to four. This maximum hops value only applies to DHCP Relay. All other switch services will ignore this value.

Setting the Relay Forwarding Option

This value specifies if DHCP Relay should operate in a Standard, AVLAN, or Per-VLAN only forwarding mode. If the AVLAN only option is selected, only DHCP packets received on authenticated ports are processed. By default, the forwarding option is set to standard. To change the forwarding option value, enter **ip helper** followed by **standard**, **avlan only**, or **per-vlan only**. For example,

```
-> ip helper avlan only
-> ip helper standard
-> ip helper per-vlan only
```

Using Automatic IP Configuration

An additional function of the DHCP Relay feature enables a switch to broadcast a BootP or DHCP request packet at boot time to obtain an IP address for default VLAN 1. This function is separate from the previously described functions (such as Global DHCP, per-VLAN DHCP and related configurable options) in that enabling or disabling automatic IP configuration does not exclude or prevent other DHCP Relay functionality.

Note. Automatic IP address configuration only supports the assignment of a *permanent* IP address to the switch. Make sure that the DHCP server is configured with such an address before using this feature.

Using automatic IP configuration also allows the switch to specify the type of request packet to send; BootP (the default) or DHCP. When the BootP/DHCP server receives the request packet from the switch, it processes the request and sends an appropriate reply packet. When the switch receives a reply packet from the BootP/DHCP server, one or more of the following occurs:

- The router port for VLAN 1 is assigned the IP address provided by the server.
- If the reply packet contains a subnet mask for the IP address, the mask is applied to the VLAN 1 router port address. Otherwise, a default mask is determined based upon the class of the IP address. For example, if the IP address is a Class A, B, or C address, then 255.0.0.0, 255.255.0.0, or 255.255.255.0 is used for the subnet mask.
- If the reply packet from the server contains a gateway IP address, then a static route entry of 0.0.0.0 is created on the switch with the gateway address provided by the server.

Note. If the VLAN 1 router port is already configured with an IP address, the switch does not broadcast a request packet at boot time even if automatic IP configuration is enabled.

To verify IP router port configuration for VLAN 1, use the [show ip interface](#) and [show ip route](#) commands. For more information about these commands, refer to the *OmniSwitch CLI Reference Guide*.

Enabling Automatic IP Configuration

By default, this function is disabled on the switch. To enable automatic IP configuration and specify the type of request packet, use the [ip helper boot-up](#) command. For example:

```
-> ip helper boot-up enable DHCP
-> ip helper boot-up enable BOOTP
```

Once enabled, the next time the switch boots up, DHCP Relay will broadcast a BootP (the default) or DHCP request packet to obtain an IP address for default VLAN 1.

To disable automatic IP configuration for the switch, use the [ip helper boot-up](#) command with the **disable** option, as shown below:

```
-> ip helper boot-up disable
```

Verifying the DHCP Relay Configuration

To display information about the DHCP Relay and BOOTP/DHCP, use the **show** commands listed below.

For more information about the resulting displays from these commands, see the *OmniSwitch CLI Reference Guide*. An example of the output for the **show ip helper** command is also given in “[Quick Steps for Setting Up DHCP Relay](#)” on page 15-3.

show ip helper	Displays the current forward delay time, the maximum number of hops, the forwarding option (standard or AVLAN only), and each of the DHCP server IP addresses configured.
show ip helper stats	Displays the number of packets the DHCP Relay service has received and transmitted, the number of packets dropped due to forward delay and maximum hops violations, and the number of packets processed since the last time these statistics were displayed.

16 Configuring VRRP

The Virtual Router Redundancy Protocol (VRRP) is a standard router redundancy protocol supported in IP version 4. It is based on RFC 2338 and provides redundancy by eliminating the single point of failure inherent in a default route environment.

In This Chapter

This chapter describes VRRP and how to configure it through the Command Line Interface (CLI). CLI commands are used in the configuration examples; for more details about the syntax of commands, see the *OmniSwitch CLI Reference Guide*.

This chapter provides an overview of VRRP and includes information about the following:

- Virtual routers—see [“Creating a Virtual Router” on page 16-8](#).
- IP addresses for virtual routers—see [“Specifying an IP Address for a Virtual Router” on page 16-9](#).
- VRRP advertisement interval—see [“Configuring the Advertisement Interval” on page 16-10](#).
- Virtual router priority—see [“Configuring Virtual Router Priority” on page 16-10](#).
- Preempting virtual routers—see [“Setting Preemption for Virtual Routers” on page 16-11](#).
- VRRP authentication—see [“Configuring VRRP Authentication” on page 16-11](#).
- VRRP traps—see [“Setting VRRP Traps” on page 16-13](#).
- VRRP tracking—see [“Creating Tracking Policies” on page 16-14](#).
- Verifying the VRRP configuration—see [“Verifying the VRRP Configuration” on page 16-15](#).

VRRP Specifications

RFCs Supported	RFC 2338–Virtual Router Redundancy Protocol RFC 2787–Definitions of Managed Objects for the Virtual Router Redundancy Protocol
Compatible with HSRP?	No
Maximum number of virtual routers	7
Maximum number of IP addresses	1 for the IP address owner; more than 1 address may be configured if the router is a backup for a master router that supports multiple addresses

VRRP Defaults

The following table lists the defaults for VRRP configuration through the **vrrp** command and the relevant command keywords:

Description	Keyword	Default
Virtual router enabled or disabled	enable disable on off	Virtual routers are disabled (off).
Priority	priority	100
Preempt mode	preempt no preempt	Preempt mode is enabled.
Advertising interval	advertising] interval	1 second
VRRP authentication	authenticate no authenticate	Authentication is not enabled.

In addition, other defaults for VRRP include:

Description	Command	Default
VRRP traps	vrrp trap	Disabled
VRRP tracking	vrrp track	Enabled
VRRP delay	vrrp delay	45 seconds

Quick Steps for Creating a Virtual Router

- 1 Create a virtual router. Specify a virtual router ID (VRID) and a VLAN ID. For example:

```
-> vrrp 6 4
```

The VLAN must already be created on the switch. For information about creating VLANs, see [Chapter 4, “Configuring VLANs.”](#)

- 2 Typically, VRRP authentication should be set up with a password. For example:

```
-> vrrp 6 4 authenticate wwwtoe
```

- 3 Configure an IP address for the virtual router.

```
-> vrrp 6 4 ip 10.10.2.3
```

- 4 Repeat steps 1 through 3 on all of the physical switches that will participate in backing up the address(es) associated with the virtual router. The authentication password must be the same on each switch.

- 5 Enable VRRP on each switch.

```
-> vrrp 6 4 enable
```

Note. *Optional.* To verify the VRRP configuration, enter the [show vrrp](#) command. The display is similar to the one shown here:

```
VRRP trap generation: Enabled
VRID  VLAN  IP          Admin      Priority  AuthType  Preempt  Adv
-----+-----+-----+-----+-----+-----+-----+-----
 6     4     10.10.2.3  Enabled    100      Simple    No       1
```

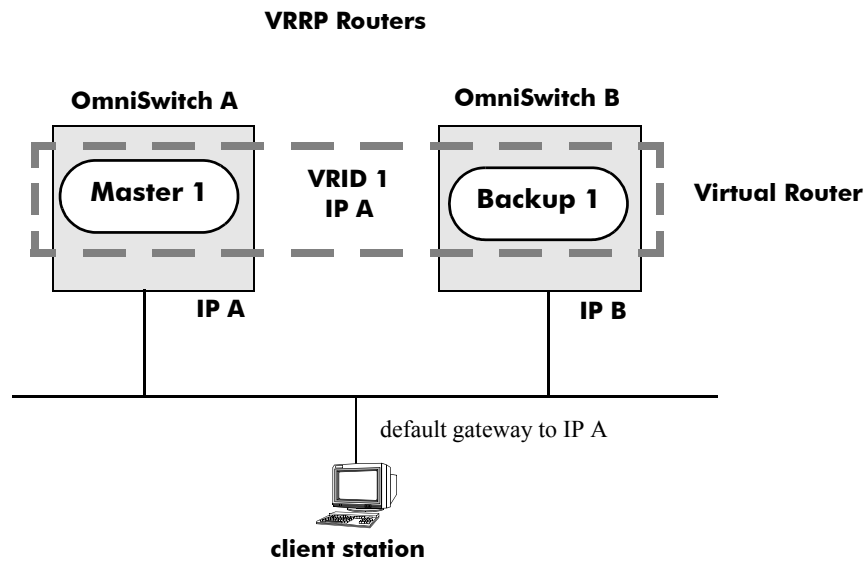
For more information about this display, see the *OmniSwitch CLI Reference Guide*.

VRRP Overview

VRRP allows routers on a LAN to back up a default route. VRRP dynamically assigns responsibility for a virtual router to a physical router (VRRP router) on the LAN. The virtual router is associated with an IP address (or set of IP addresses) on the LAN. A virtual router master is elected to forward packets for the virtual router's IP address. If the master router becomes unavailable, the highest priority backup router will transition to the master state.

Note. The IP address that is backed up may be the IP address of a physical router, or it may be a virtual IP address.

The example provided here is intended for understanding VRRP and does not show a configuration that would be used in an actual network.



VRRP Redundancy Example

In this example, each physical router is configured with a virtual router, VRID 1, which is associated with IP address A. OmniSwitch A is the master router because it contains the physical interface to which IP address A is assigned. OmniSwitch B is the backup router. The client is configured with a gateway address of IP A.

When VRRP is configured on these switches, and both switches are available, OmniSwitch A will respond to ARP requests for IP address A using the virtual router's MAC address (00:00:5E:00:01:01) instead of the physical MAC address assigned to the interface. OmniSwitch A will accept packets sent to the virtual MAC address and forward them as appropriate; it will also accept packets addressed to IP address A (such as ICMP ping requests).

OmniSwitch B will respond to ARP requests for IP address B using the interface's physical MAC address. It will not respond to ARP requests for IP address A or to the virtual router MAC address.

If OmniSwitch A becomes unavailable, OmniSwitch B becomes the master router. OmniSwitch B will then respond to ARP requests for IP address A using the virtual router's MAC address (00:00:5E:00:01:01). It will also forward packets for IP address B and respond to ARP requests for IP address B using the OmniSwitch's physical MAC address. OmniSwitch B, however, cannot accept packets addressed to IP address A (such as ICMP ping requests).

OmniSwitch B uses IP address B to access the LAN, but IP address B is not backed up. If OmniSwitch B becomes unavailable, IP address B is unavailable.

Why Use VRRP?

An end host may use dynamic routing or router discovery protocols to determine its first hop toward a particular IP destination. With dynamic routing, large timer values are required and may cause significant delay in the detection of a dead neighbor.

If an end host uses a static route to its default gateway, this creates a single point of failure if the route becomes unavailable. End hosts will not be able to detect alternate paths.

In either case, VRRP ensures that an alternate path is always available.

Definition of a Virtual Router

To back up an IP address or addresses using VRRP, a virtual router must be configured on VRRP routers on a common LAN. A VRRP router is a physical router running VRRP. A virtual router is defined by a virtual router identifier (VRID) and a set of associated IP addresses on the LAN. (On the OmniSwitch only one IP address is assigned to an interface, but other VRRP routers may have multiple IP addresses per interface. In addition, the VRID must be unique.)

Note. A limitation of the OmniSwitch is that a single VRID may only be associated with one VLAN.

Each VRRP router may back up one or more virtual routers. The VRRP router that contains the physical interfaces to which the virtual router IP addresses are assigned is called the *IP address owner*. If it is available, the IP address owner will function as the master router. The master router assumes the responsibility of forwarding packets sent to the IP addresses associated with the virtual router and answering ARP requests for these addresses.

To minimize network traffic, only the master router sends VRRP advertisements on the LAN. The IP address assigned to the physical interface on the current master router is used as the source address in VRRP advertisements. The advertisements communicate to all VRRP routers the priority and state of the master router associated with the VRID. The advertisements are IP multicast datagrams sent to the VRRP multicast address 224.0.0.18 (as determined by the Internet Assigned Numbers Authority).

If a master router becomes unavailable, it stops sending VRRP advertisements on the LAN. The backup routers know the master is unavailable based on the following algorithm:

$$\text{Master Down Interval} = (3 * \text{Advertisement Interval}) + \text{Skew Time}$$

where *Advertisement Interval* is the time interval between VRRP advertisements, and *Skew Time* is calculated based on the VRRP router's priority value as follows:

$$\text{Skew Time} = (256 - \text{Priority}) / 256$$

If backup routers are configured with priority values that are close in value, there may be a timing conflict, and the first backup to take over may not be the one with the highest priority; a backup with a higher priority will then preempt the new master. The virtual router may be configured to prohibit any preemption attempts, except by the IP address owner. An IP address owner, if it is available, will always become master of any virtual router associated with its IP addresses.

Note. Duplicate IP address/MAC address messages may display when a backup takes over for a master, depending on the timing of the takeover and the configured advertisement interval. This is particularly true if more than one backup is configured.

VRRP MAC Addresses

Each virtual router has a single well-known MAC address, which is used as the source in all periodic VRRP advertisements sent by the master router, any other packets originating from the master router, and as the MAC address in ARP replies (instead of a VRRP router's physical MAC address). The address has the following format:

00-00-5E-00-01-[virtual router ID]

This mapping provides for up to eight virtual routers on an OmniSwitch.

ARP Requests

Each virtual router has a single well-known MAC address, which is used as the MAC address in ARP replies instead of a VRRP router's physical MAC address. When an end host sends an ARP request to the master router's IP address, the master router responds to the ARP request using the virtual router MAC address. If a backup router takes over for the master, and an end host sends an ARP request, the backup will reply to the request using the virtual router MAC address.

Gratuitous ARP requests for the virtual router IP address or MAC address are broadcast when the OmniSwitch becomes the master router. For VRRP interfaces, gratuitous ARP requests/responses are delayed at system boot until both the IP address and the virtual router MAC address are configured.

If an interface IP address is shared by a virtual router, the routing mechanism does not send a gratuitous ARP for the IP address (since the virtual router will send a gratuitous ARP). This prevents traffic from being forwarded to the router before its routing tables are stable.

ICMP Redirects

ICMP redirects are not sent out over VRRP interfaces.

VRRP Startup Delay

When a virtual router reboots and becomes master, it may become master before its routing tables are populated. This could result in loss of connectivity to the router. To prevent the loss in connectivity, a delay is used to prevent the router from becoming master before the routing tables are stabilized; the default delay value is 45 seconds.

The startup delay may be modified to allow more or less time for the router to stabilize its routing tables.

In addition to the startup delay, the switch has an ARP delay (which is not configurable).

VRRP Tracking

A virtual router's priority may be conditionally modified to prevent another router from taking over as master. Tracking policies are used to conditionally modify the priority setting whenever a VLAN, slot/port, and or IP address associated with a virtual router goes down.

A tracking policy consists of a tracking ID, the value amount used to decrease the priority value, and the VLAN ID, slot/port number, or IP address to be monitored by the policy. The policy is then associated with one or more virtual routers.

Interaction With Other Features

- IP routing—IP routing must be enabled for the VRRP configuration to take effect.
- Router Discovery Protocol (RDP)—If RDP is enabled on the switch, and VRRP is enabled, RDP will advertise VLAN IP addresses of virtual routers depending on whether there are virtual routers active on the LAN, and whether those routers are backups or masters. When there are no virtual routers active on the VLAN (either acting as master or backup), RDP will advertise all VLAN IP addresses. However, if virtual routers are active, RDP will advertise IP addresses for any master routers; RDP will not advertise IP addresses for backup routers.

For more information about RDP, see [Chapter 14, “Configuring RDP.”](#)

Configuration Overview

VRRP is part of the base software. At startup, VRRP is loaded onto the switch and is enabled. Virtual routers must first be configured and enabled as described in the sections. Since VRRP is implemented on multiple switches in the network, some VRRP parameters must be identical across switches:

- **VRRP and ACLs**
If QoS filtering rules (Access Control Lists) are configured for Layer 3 traffic on a VRRP router, all of the VRRP routers on the LAN must be configured with the same filtering rules; otherwise the security of the network will be compromised. For more information about filtering, see [Chapter 22, “Configuring ACLs.”](#)
- **Conflicting VRRP Parameters Across Switches**
All virtual routers with the same VRID on the LAN should be configured with the same advertisement interval, IP addresses, and authentication password. If the virtual routers are configured differently, it may result in more than one virtual router acting as the master router. This in turn would result in duplicate IP and MAC address messages as well as multiple routers forwarding duplicate packets to the virtual router MAC address. Use the [show vrrp statistics](#) command to check for conflicting parameters. For information about configuring VRRP parameters, see the remaining sections of this chapter.

Basic Virtual Router Configuration

At least two virtual routers must be configured on the LAN—a master router and a backup router. The virtual router is identified by a number called the Virtual Router ID (VRID), the VLAN on which the virtual router is configured, and the IP address or addresses associated with the router. Multiple virtual routers may be configured on a single physical VRRP router.

Basic commands for setting up virtual routers include:

```
vrrp  
vrrp ip
```

The next sections describe how to use these commands.

Creating a Virtual Router

To create a virtual router, enter the **vrrp** command with the desired VRID and the relevant VLAN ID. The VRID must be a unique number in the range from 1 to 7. The VLAN must already be created on the switch through the **vlan** command. For information about creating VLANs, see [Chapter 4, “Configuring VLANs.”](#) For example:

```
-> vrrp 6 4
```

This command creates VRID 6 on VLAN 4.

When you create a new virtual router, the VRID ID and a VLAN ID are *required*. Optionally, you may also specify:

- **Priority** (in the range from 1 to 255); use the **priority** keyword with the desired value. The default is 100. Note that the IP address owner will be automatically assigned a value of 255 if you do not specify the priority. See [“Configuring Virtual Router Priority” on page 16-10](#) for more information about how priority is used.

- **Preempt mode.** By default, preempt mode is enabled. Use **no preempt** to turn it off, and **preempt** to turn it back on. For more information about the preempt mode, see [“Setting Preemption for Virtual Routers” on page 16-11](#).
- **Advertising interval** (in seconds). Use the **interval** keyword with the desired number of seconds for the delay in sending VRRP advertisement packets. The default is 1 second. See [“Configuring the Advertisement Interval” on page 16-10](#).
- **VRRP authentication.** By default, VRRP packets are not authenticated; use **authenticate** to enable simple text password authentication. A password of up to 16 characters must be entered. Use **no authenticate** to disable authentication. See [“Configuring VRRP Authentication” on page 16-11](#).

The following example creates a virtual router (with VRID 7) on VLAN 2 with a priority of 75. VRRP messages will be sent at intervals of 2 seconds, and VRRP packets will be authenticated with the password **wwwtoe**.

```
-> vrrp 7 2 priority 75 no preempt interval 2 authenticate wwwtoe
```

Note. All virtual routers with the same VRID on the same LAN should be configured with the same advertising interval; otherwise the network may produce duplicate IP or MAC address messages. These virtual routers should be configured with the same authentication setting. If authentication is enabled, all routers must have the same password.

The **vrrp** command may also be used to specify whether the virtual router is enabled or disabled (it is disabled by default). *However, the virtual router must have an IP address assigned to it before it can be enabled.* Use the **vrrp ip** command as described in the next section to specify an IP address or addresses.

For more information about the **vrrp** command syntax, see the *OmniSwitch CLI Reference Guide*.

Specifying an IP Address for a Virtual Router

An IP address must be specified before a virtual router may be enabled. To specify an IP address for a virtual router, use the **vrrp ip** command and the relevant IP address. For example:

```
-> vrrp 6 4 ip 10.10.2.3
-> vrrp 6 4 enable
```

In this example, the **vrrp ip** command specifies that virtual router 6 on VLAN 4 will be used to backup IP address 10.10.2.3. The virtual router is then enabled with the **vrrp** command.

Currently the OmniSwitch does not support multiple IP addresses on a single virtual router. If an OmniSwitch is the IP address owner for a virtual router, then that address must be assigned to the virtual router. If the OmniSwitch is configured as a backup for a VRRP router that allows more than one IP address to be assigned to a virtual router, then multiple addresses may be assigned to the virtual router.

To remove an IP address from a virtual router, use the **no** form of the **vrrp ip** command. For example:

```
-> vrrp 6 4 disable
-> vrrp 6 4 no ip 10.10.2.3
```

In this example, virtual router 6 is disabled. (A virtual router must be disabled before IP addresses may be added/removed from the router.) IP address 10.10.2.3 is then removed from the virtual router with the **no** form of the **vrrp ip** command.

Configuring the Advertisement Interval

The advertisement interval is configurable, but all virtual routers with the same VRID should be configured with the same value. Mismatched values will create network problems.

If you change the advertisement interval on the master router when VRRP is already running or if the advertisement interval is set differently for a master router and a backup router, VRRP packets may be dropped because the newly configured interval does not match the interval indicated in the packet. The backup router will then take over and send a gratuitous ARP, which includes the virtual router IP address and the virtual router MAC address. In addition to creating duplicate IP/MAC address messages, both routers will begin forwarding packets sent to the virtual router MAC address. This will result in forwarding duplicate packets.

To avoid duplicate addresses and packets, make sure the advertisement interval is configured the same on both the master and the backup router.

For more information about VRRP and ARP requests, see [“ARP Requests” on page 16-6](#).

To configure the advertisement interval, use the **vrrp** command with the **interval** keyword. For example:

```
-> vrrp 6 4 disable
-> vrrp 6 4 interval 5
```

In this example, virtual router 6 is disabled. (If you are modifying an existing virtual router, the virtual router must be disabled before it may be modified.) The **vrrp** command is then used to set the advertising interval for virtual router 6 to 5 seconds.

Configuring Virtual Router Priority

VRRP functions with one master virtual router and at least one backup virtual router. A priority value determines how backup routers will be selected to take over for the master router if it becomes unavailable.

Priority values range from 1 to 254. A value of 255 indicates that the virtual router owns the IP address; that is, the router contains the real physical interface to which the IP address is assigned. The default priority value is 100; however the switch sets this value to 255 if it detects that this router is the IP address owner. The value cannot be set to 255 if the router is not the IP address owner. The IP address owner will always be the master router if it is available.

If more than one backup router is configured, their priority values may be configured with different values, so that the backup with the higher value will take over for the master. The priority parameter may be used to control the order in which backup routers will take over for the master. If priority values are the same, any backup will take over for master.

Note that the switch sets the priority value to zero in the last VRRP advertisement packet before a master router is disabled (see [“Enabling/Disabling a Virtual Router” on page 16-12](#)).

Also, if a router is the IP address owner and the priority value is not set to 255, the switch will set its priority to 255 when the router is enabled.

To set the priority, use the **vrrp** command with the **priority** keyword and the desired value. For example:

```
-> vrrp 6 4 disable
-> vrrp 6 4 priority 50
```

In this example, virtual router 6 is disabled. (If you are modifying an existing virtual router, the virtual router must be disabled before it may be modified.) The virtual router priority is then set to 50. The priority value is relative to the priority value configured for other virtual routers backing up the same IP address. Since the default priority is 100, setting the value to 50 would typically provide a router with lower priority in the VRRP network.

Setting Preemption for Virtual Routers

When a master virtual router becomes unavailable (goes down for whatever reason), a backup router will take over. There may be more than one backup router, and if the backup routers have similar priority values, the backup with the highest priority value may not be the one to take over for the master because of network traffic loads. If that's the case, the backup with the higher priority will then preempt the first backup router.

By default virtual routers are allowed to preempt each other; that is, if the virtual router with the highest priority will take over if the master router becomes unavailable. The preempt mode may be disabled so that any backup router that takes over when the master is unavailable will not then be preempted by a backup with a higher priority.

Note. The virtual router that owns the IP address(es) associated with the physical router always becomes the master router if is available, regardless of the preempt mode setting and the priority values of the backup routers.

To disable preemption for a virtual router, use the **vrrp** command with the **no preempt** keywords. For example:

```
-> vrrp 6 4 disable
-> vrrp 6 4 no preempt
```

In this example, virtual router 23 is disabled. (If you are modifying an existing virtual router, the virtual router must be disabled before it may be modified.) The virtual router is then configured to disable preemption. If this virtual router takes over for an unavailable router, a router with a higher priority will not be able to preempt it. For more information about priority, see [“Configuring Virtual Router Priority” on page 16-10](#).

Configuring VRRP Authentication

VRRP is designed for a range of internetworking environments that may employ different security policies. The protocol includes two authentication methods (simple clear text password and IP authentication with MD5 HMAC). *In the current release, IP authentication with MD5 HMAC is not supported.*

By default, VRRP authentication is not enabled. VRRP includes a mechanism, however, independent of whether or not authentication is configured, that denies VRRP packets from remote networks. Whenever a VRRP router receives a packet, it sets the Time To Live (TTL) to 255. This prevents the local VRRP network from accepting VRRP packets from remote networks.

When a VRRP interface receives a VRRP packet, it verifies that the TTL is 255, the VRRP version is correct, the checksum is correct, and the packet length is greater than or equal to the VRRP header. If the virtual router is configured for authentication, it will also authenticate the packet. (The authentication process is transparent to the user.)

Note. The only scenario where authentication is not recommended is an environment with minimal security risk and little chance for configuration error (such as two VRRP routers on a LAN).

Typically, simple text password authentication should be configured for VRRP. Simple text password authentication is similar to simple text authentication for the Open Shortest Path First (OSPF) routing protocol.

Simple text authentication is recommended because it protects against accidental misconfiguration of routers on a LAN and inadvertently backing up another router. If authentication is used, all virtual routers on the LAN must be configured with the same password and the password must not be the same as any significant security password.

This type of authentication is recommended when there is minimal risk of nodes on a LAN actively disrupting VRRP operation. If this type of authentication is used, the user should be aware that the clear text password is sent out frequently. It is possible for the password to be learned by a node snooping VRRP packets on the LAN; however, the simple text authentication combined with VRRP's built-in TTL check make it difficult for a VRRP packet to be sent from a remote network to disrupt VRRP operation.

To configure authentication for a virtual router, use the **authenticate** keyword and the desired password with the **vrrp** command. For example:

```
-> vrrp 6 4 disable
-> vrrp 6 4 authenticate wwwtoe
```

In this example, virtual router 6 is disabled. (If you are modifying an existing virtual router, the virtual router must be disabled before it may be modified.) The virtual router is then configured for authentication with the password **wwwtoe**. VRRP packets will be authenticated with this password.

Note. All VRRP routers on the same LAN should be configured with the same authentication setting. If authentication is enabled, all routers must have the same password.

To remove authentication from a virtual router, use the keyword with **no**. For example:

```
-> vrrp 6 4 no authenticate
```

Note that if you are modifying an existing virtual router, the virtual router must be disabled before authentication may be disabled.

Enabling/Disabling a Virtual Router

Virtual routers are disabled by default. To enable a virtual router, use the **vrrp** command with the **enable** keyword. Note that at least one IP address must be configured for the virtual router through the **vrrp ip** command. For example:

```
-> vrrp 7 3 priority 150
-> vrrp ip 7 3 10.10.2.3
-> vrrp 7 3 enable
```

In this example, a virtual router is created on VLAN 3 with a VRID of 7. An IP address is then assigned to the virtual router. The virtual router is then enabled on the switch.

To disable a virtual router, use the **disable** keyword.

```
-> vrrp 7 3 disable
```

A virtual router must be disabled before it may be modified. Use the **vrrp** command to disable the virtual router first; then use the command again to modify the parameters. For example:

```
-> vrrp 7 3 disable
-> vrrp 7 3 priority 200
-> vrrp 7 3 enable
```

In this example, virtual router 7 on VLAN 3 is disabled. The virtual router is then modified to change its priority setting. (For information about configuring the priority setting, see [“Configuring Virtual Router Priority” on page 16-10.](#)) The virtual router is then re-enabled and will be active on the switch.

To delete a virtual router, use the **no** form of the **vrrp** command with the relevant VRID and VLAN ID. For example:

```
-> no vrrp 7 3
```

Virtual router 7 on VLAN 3 is deleted from the configuration. (The virtual router does not have to be disabled before you delete it.)

Setting VRRP Traps

A VRRP router has the capability to generate VRRP SNMP traps for events defined in the VRRP SNMP MIB. By default traps are enabled.

In order for VRRP traps to be generated correctly, traps in general must be enabled on the switch through the SNMP CLI. See the *OmniSwitch 6800 Switch Management Guide* for more information about enabling SNMP traps globally.

To disable VRRP traps, use the **no** form of the **vrrp trap** command.

```
-> no vrrp trap
```

To re-enable traps, enter the **vrrp trap** command:

```
-> vrrp trap
```

Setting VRRP Startup Delay

To set a delay to prevent a router from going active before its routing tables are set up, use the **vrrp delay** command.

```
-> vrrp delay 75
```

The switch will now wait 75 seconds after a switch reboot before it will be available to take over as master for another router.

Creating Tracking Policies

To create a tracking policy, use the **vrrp track** command and specify the amount to decrease a virtual router's priority and the VLAN, slot/port, or IP address to be tracked. For example:

```
-> vrrp track 3 enable priority 50 vlan 2
```

In this example, a tracking policy ID (3) is created and enabled for VLAN 2. If VLAN 2 goes down, a virtual router associated with this track ID will have its priority decremented by 50. Note that the **enable** keyword administratively activates the tracking policy, but the policy does not take effect until it is associated with one or more virtual routers (see the next section).

Note the following:

- A virtual router must be administratively disabled before a tracking policy for the virtual router can be added.
- VRRP tracking does not override IP address ownership (the IP address owner will always have priority to become master, if it is available).

Associating a Tracking Policy With a Virtual Router

To associate a tracking policy with a virtual router, use the **vrrp track-association** command with the tracking policy ID number. In this example, virtual router 6 on VLAN 4 is disabled first so that tracking policy 3 may be associated with it:

```
-> vrrp 6 4 disable  
-> vrrp 6 4 track-association 3
```

When the virtual router is re-enabled, tracking policy 3 will be used for that virtual router. If VLAN 2 goes down, VRID 6 will have its priority decremented by 50.

A VLAN tracking policy should not be associated with a virtual router on the same VLAN. For example:

```
-> vrrp 5 2 track-association 3
```

This configuration is allowed but will not really have an effect. If VLAN 2 goes down, this virtual router goes down as well and the tracking policy is not applied.

Note. A master and a backup virtual router should not be tracking the same IP address; otherwise, when the IP address becomes unreachable, both virtual routers will have their priorities decremented, and the backup may temporarily take over if the master discovers that the IP address is unreachable before the backup.

Typically you should not configure the same IP address tracking policies on physical VRRP routers that back up each other; otherwise, the priority will be decremented for both master and backup when the entity being tracked goes down.

Verifying the VRRP Configuration

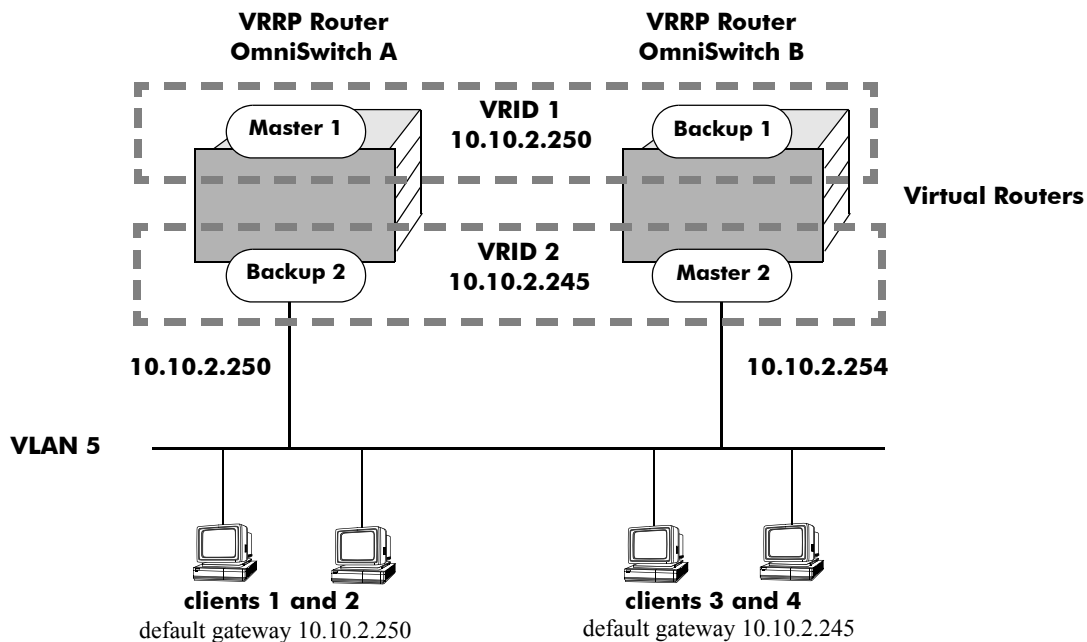
A summary of the **show** commands used for verifying the VRRP configuration is given here:

show vrrp	Displays the virtual router configuration for all virtual routers or for a particular virtual router.
show vrrp statistics	Displays statistics about VRRP packets for all virtual routers configured on the switch or for a particular virtual router.
show vrrp track	Displays information about tracking policies on the switch.
show vrrp track-association	Displays the tracking policies associated with virtual routers.

For more information about the displays that result from these commands, see the *OmniSwitch CLI Reference Guide*.

VRRP Application Example

In addition to providing redundancy, VRRP can assist in load balancing outgoing traffic. The figure below shows two virtual routers with their hosts splitting traffic between them. Half of the hosts are configured with a default route to virtual router 1's IP address (10.10.2.250), and the other half are configured with a default route to virtual router 2's IP address (10.10.2.245).



VRRP Redundancy and Load Balancing

The CLI commands used to configure this setup are as follows:

- 1 First, create two virtual routers for VLAN 5. (Note that VLAN 5 must already be created and available on the switch.)

```
-> vrrp 1 5
-> vrrp 2 5
```

- 2 Configure the IP addresses for each virtual router.

```
-> vrrp 1 5 ip 10.10.2.250
-> vrrp 2 5 ip 10.10.2.245
```

- 3 Enable the virtual routers.

```
-> vrrp 1 5 enable
-> vrrp 2 5 enable
```

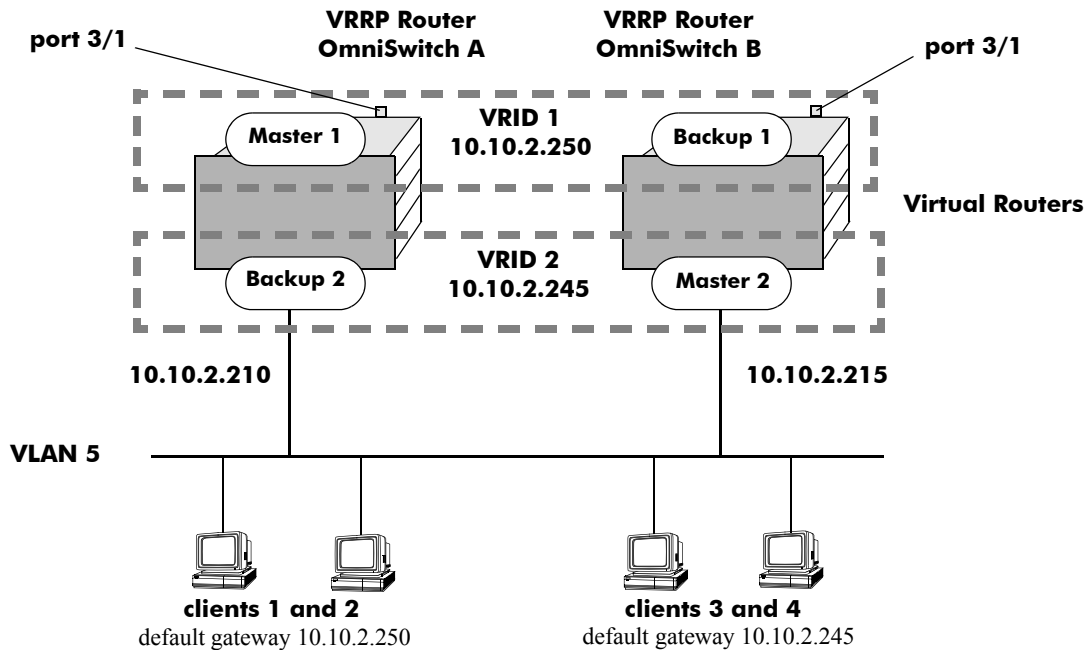
Note. The same VRRP configuration must be set up on each OmniSwitch 6800 stack. The VRRP router that contains, or owns, the IP address will automatically become the master for that virtual router. If the IP address is a virtual address, the virtual router with the highest priority will become the master router.

In this scenario, the master of VRID 1 will respond to ARP requests for IP address A using the virtual router MAC address for VRID 1 (00:00:5E:00:01:01). OmniSwitch 1 is the master for VRID 1 since it contains the physical interface to which 10.10.2.3 is assigned. If OmniSwitch A should become unavailable, OmniSwitch B will become master for VRID 1.

In the same way, the master of VRID 2 will respond to ARP requests for IP address B using the virtual router MAC address for VRID 2 (00:00:5E:00:01:02). OmniSwitch B is the master for VRID 2 since it contains the physical interface to which 10.10.2.245 is assigned. If OmniSwitch B should become unavailable, OmniSwitch A will become master for 10.10.2.245. This configuration provides uninterrupted service for the end hosts.

VRRP Tracking Example

The figure below shows two VRRP routers with two virtual routers backing up one IP address on each VRRP router respectively. Virtual router 1 serves as the default gateway on OmniSwitch A for clients 1 and 2 through IP address 10.10.2.250. For example, if the port that provides access to the Internet on OmniSwitch A fails, virtual router 1 will continue to be the default router for clients 1 and 2 but clients 1 and 2 will not be able to access the Internet.



VRRP Tracking Example

In this example, the master for virtual router 1 has a priority of 100 and the backup for virtual router 1 has a priority of 75. The virtual router configuration for VRID 1 on VRRP router A is as follows:

```
-> vrrp 1 5 priority 100
```

The virtual router configuration for VRID 1 on VRRP router B is as follows:

```
-> vrrp 1 5 priority 75 preempt
```

To ensure workstation clients 1 and 2 have connectivity to the internet, configure a tracking policy on VRRP router A to monitor port 3/1 and associate the policy with VRID 1.

```
-> vrrp track 1 enable priority 50 port 3/1
-> vrrp 1 5 track-association 1
```

If port 3/1 on VRRP router A goes down, the master for virtual router A is still functioning but workstation clients 1 and 2 will not be able to get to the Internet. With this tracking policy enabled, however, master router 1's priority will be temporarily decremented to 50, allowing backup router 1 to take over and provide connectivity for those workstations. When port 3/1 on VRRP router A comes back up, master 1 will take over again.

Note. The preempt option must be enabled on virtual router 1; otherwise the original master will not be able to take over. See [“Setting Preemption for Virtual Routers” on page 16-11](#) for more information about enabling preemption.

17 Managing Authentication Servers

This chapter describes authentication servers and how they are used with the switch. The types of servers described include Remote Authentication Dial-In User Service (RADIUS), Lightweight Directory Access Protocol (LDAP), and SecurID's ACE/Server.

In This Chapter

The chapter includes some information about attributes that must be configured on the servers, but it primarily addresses configuring the switch through the Command Line Interface (CLI) to communicate with the servers to retrieve authentication information about users.

Configuration procedures described include:

- **Configuring an ACE/Server.** This procedure is described in [“ACE/Server” on page 17-8](#).
- **Configuring a RADIUS Server.** This procedure is described in [“RADIUS Servers” on page 17-9](#).
- **Configuring an LDAP Server.** This procedure is described in [“LDAP Servers” on page 17-15](#).

For information about using servers for authenticating users to manage the switch, see the “Switch Security” chapter in the *OmniSwitch 6800 Switch Management Guide*.

For information about using servers to retrieve authentication information for Layer 2 Authentication users (authenticated VLANs), see [Chapter 18, “Configuring Authenticated VLANs.”](#)

Authentication Server Specifications

RADIUS RFCs Supported	<p>RFC 2865—Remote Authentication Dial In User Service (RADIUS)</p> <p>RFC 2866—RADIUS Accounting</p> <p>RFC 2867—RADIUS Accounting Modifications for Tunnel Protocol Support</p> <p>RFC 2868—RADIUS Attributes for Tunnel Protocol Support</p> <p>RFC 2809—Implementation of L2TP Compulsory Tunneling via RADIUS</p> <p>RFC 2869—RADIUS Extensions</p> <p>RFC 2548—Microsoft Vendor-specific RADIUS Attributes</p> <p>RFC 2882—Network Access Servers Requirements: Extended RADIUS Practices</p>
LDAP RFCs Supported	<p>RFC 1789—Connectionless Lightweight X.5000 Directory Access Protocol</p> <p>RFC 2247—Using Domains in LDAP/X.500 Distinguished Names</p> <p>RFC 2251—Lightweight Directory Access Protocol (v3)</p> <p>RFC 2252—Lightweight Directory Access Protocol (v3): Attribute Syntax Definitions</p> <p>RFC 2253—Lightweight Directory Access Protocol (v3): UTF-8 String Representation of Distinguished Names</p> <p>RFC 2254—The String Representation of LDAP Search Filters</p> <p>RFC 2256—A Summary of the X.500(96) User Schema for Use with LDAPv3</p>
Other RFCs	<p>RFC 2574—User-based Security Model (USM) for version 3 of the Simple Network Management Protocol (SNMPv3)</p> <p>RFC 2924—Accounting Attributes and Record Formats</p> <p>RFC 2975—Introduction to Accounting Management</p> <p>RFC 2989—Criteria for Evaluating AAA Protocols for Network Access</p>
Maximum number of authentication servers in single authority mode	4 (not including any backup servers)
Maximum number of authentication servers in multiple authority mode	4 per VLAN (not including any backup servers)
Maximum number of servers per Authenticated Switch Access type	4 (not including any backup servers)
CLI Command Prefix Recognition	The aaa radius-server and aaa ldap-server commands support prefix recognition. See the “Using the CLI” chapter in the <i>OmniSwitch 6800 Switch Management Guide</i> for more information.

Server Defaults

The defaults for authentication server configuration on the switch are listed in the tables in the next sections.

RADIUS Authentication Servers

Defaults for the `aaa radius-server` command are as follows:

Description	Keyword	Default
Number of retries on the server before the switch tries a backup server	retransmit	3
Timeout for server replies to authentication requests	timeout	2
UDP destination port for authentication	auth-port	1645*
UDP destination port for accounting	acct-port	1646*

* The port defaults are based on the older RADIUS standards; some servers are set up with port numbers based on the newer standards (ports 1812 and 1813 respectively).

LDAP Authentication Servers

Defaults for the `aaa ldap-server` command are as follows:

Description	Keyword	Default
The port number for the server	port	389 (SSL disabled) 636 (SSL enabled)
Number of retries on the server before the switch tries a backup server	retransmit	3
Timeout for server replies to authentication requests	timeout	2
Whether a Secure Socket Layer is configured for the server	ssl no ssl	no ssl

Quick Steps For Configuring Authentication Servers

1 For RADIUS or LDAP servers, configure user attribute information on the servers. See [“RADIUS Servers” on page 17-9](#) and [“LDAP Servers” on page 17-15](#).

2 Use the `aaa radius-server` and/or the `aaa ldap-server` command to configure the authentication server(s). For example:

```
-> aaa radius-server rad1 host 10.10.2.1 10.10.3.5 key amadeus
-> aaa ldap-server ldap2 host 10.10.3.4 dn cn=manager password tpub base c=us
```

Note. (Optional) Verify the server configuration by entering the `show aaa server` command. For example:

```
-> show aaa server
Server name = rad1
  Server type           = RADIUS,
  IP Address 1         = 10.10.2.1,
  IP Address 2         = 10.10.3.5
  Retry number         = 3,
  Timeout (in sec)    = 2,
  Authentication port  = 1645,
  Accounting port      = 1646
Server name = ldap2
  Server type           = LDAP,
  IP Address 1         = 10.10.3.4,
  Port                 = 389,
  Domain name          = cn=manager,
  Search base          = c=us,
  Retry number         = 3,
  Timeout (in sec)    = 2,
```

See the *CLI Reference Guide* for information about the fields in this display.

3 If you are using ACE/Server, there is no required switch configuration; however, you must FTP the `sdconf.rec` file from the server to the switch’s `/network` directory.

4 Configure authentication on the switch. This step is described in other chapters. For a quick overview of using the configured authentication servers with Authenticated VLANs, see [“AVLAN Configuration Overview” on page 18-4](#). For a quick overview of using the configured authentication servers with Authenticated Switch Access, see the *OmniSwitch 6800 Switch Management Guide*.

Server Overview

Authentication servers are sometimes referred to as AAA servers (authentication, authorization, and accounting). These servers are used for storing information about users who want to manage the switch (Authenticated Switch Access) and users who need access to a particular VLAN or VLANs (Authenticated VLANs).

RADIUS or LDAP servers may be used for Authenticated Switch Access and/or Authenticated VLANs. Another type of server, SecurID's ACE/Server, may be used for authenticated switch access only; the ACE/Server is an authentication-only server (no authorization or accounting). Only RADIUS servers are supported for 802.1X Port-Based Network Access Control.

The following table describes how each type of server may be used with the switch:

Server Type	Authenticated Switch Access	Authenticated VLANs	802.1X Port-Based Network Access Control
ACE/Server	yes (except SNMP)	no	no
RADIUS	yes (except SNMP)	yes	yes
LDAP	yes (including SNMP)	yes	no

Backup Authentication Servers

Each RADIUS and LDAP server may have one backup host (of the same type) configured through the **aaa radius-server** and **aaa ldap-server** commands respectively. In addition, each authentication method (Authenticated Switch Access, Authenticated VLANs, or 802.1X) may specify a list of backup authentication servers that includes servers of different types (if supported on the feature).

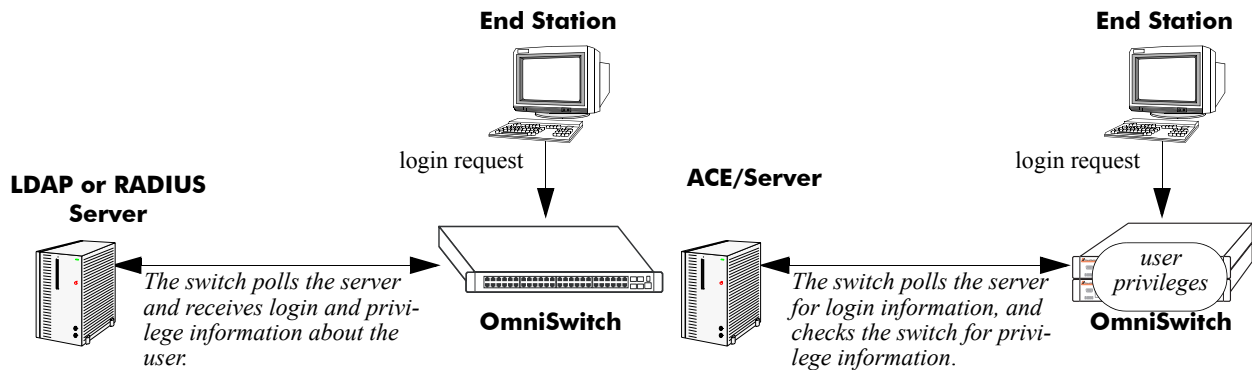
The switch uses the first available authentication server to attempt to authenticate users. If user information is not found on the first available server, the authentication attempts fails.

Authenticated Switch Access

When RADIUS and/or LDAP servers are set up for Authenticated Switch Access, the switch polls the server for user login information. The switch also polls the server for privilege information (authorization) if it has been configured on the server; otherwise, the local user database is polled for the privileges.

For RADIUS and LDAP, additional servers may be configured as backups.

A RADIUS server supporting the challenge and response mechanism as defined in RADIUS RFC 2865 may access an ACE/Server for authentication purposes. The ACE/Server is then used for user authentication, and the RADIUS server is used for user authorization.

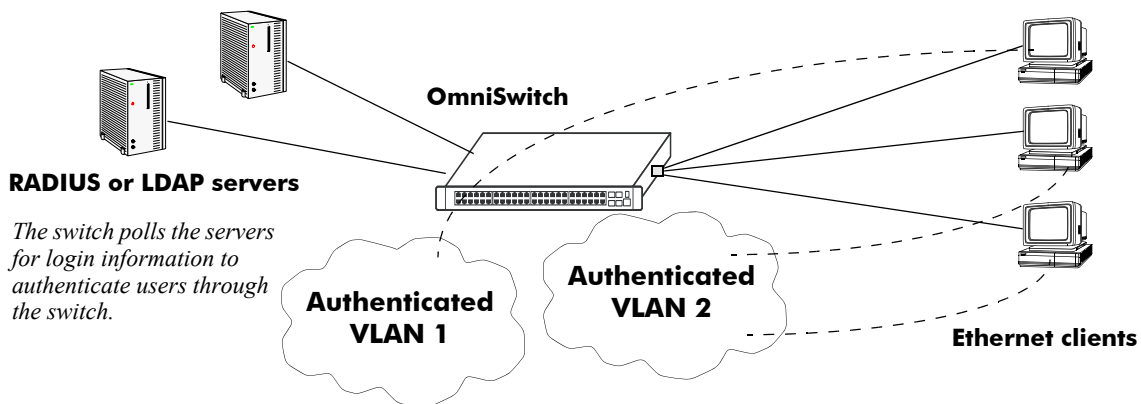


Servers Used for Authenticated Switch Access

Authenticated VLANs

For authenticated VLANs, authentication servers contain a database of user names and passwords, challenges/responses, and other authentication criteria such as time-of-day access. The Authenticated VLAN attribute is required on servers set up in multiple authority mode.

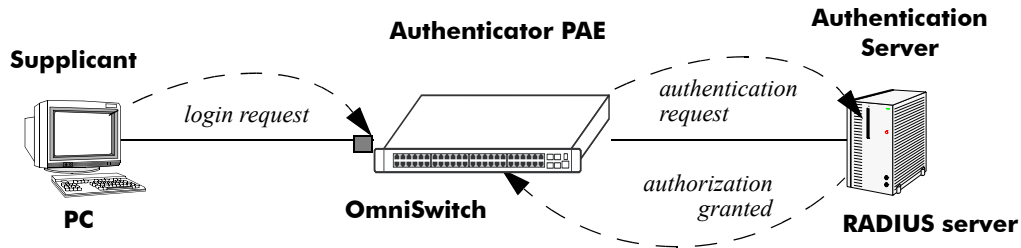
Servers may be configured using one of two different modes, single authority mode or multiple authority mode. The mode specifies how the servers are set up for authentication: single authority mode uses a single list (an authentication server and any backups) to poll with authentication requests. Multiple authority mode uses multiple lists, one list for each authenticated VLAN. For more information about authority modes and Authenticated VLANs, see [Chapter 18, "Configuring Authenticated VLANs."](#)



Servers Used for Authenticated VLANs

Port-Based Network Access Control (802.1X)

For devices authenticating on an 802.1X port on the switch, only RADIUS authentication servers are supported. The RADIUS server contains a database of user names and passwords, and may also contain challenges/responses and other authentication criteria.



Basic 802.1X Components

For more information about configuring 802.1X ports on the switch, see [Chapter 19, “Configuring 802.1X.”](#)

ACE/Server

An external ACE/Server may be used for authenticated switch access. It cannot be used for Layer 2 authentication or for policy management. Attributes are not supported on ACE/Servers. These values must be configured on the switch through the **user** commands. See the “Switch Security” chapter of the *OmniSwitch 6800 Switch Management Guide* for more information about setting up the local user database.

Since an ACE/Server does not store or send user privilege information to the switch, user privileges for Secur/ID logins are determined by the switch. When a user attempts to log into the switch, the user ID and password is sent to the ACE/Server. The server determines whether the login is valid. If the login is valid, the user privileges must be determined. The switch checks its user database for the user’s privileges. If the user is not in the database, the switch uses the default privilege, which is determined by the default user account. For information about the default user account, see the “Switch Security” chapter of the *OmniSwitch 6800 Switch Management Guide*.

There are no server-specific parameters that must be configured for the switch to communicate with an attached ACE/Server; however, you must FTP the **sdconf.rec** file from the server to the switch’s **/network** directory. This file is required so that the switch will know the IP address of the ACE/Server. For information about loading files onto the switch, see the *OmniSwitch 6800 Switch Management Guide*.

The ACE client in the switch is version 4.1; it does not support the replicating and locking feature of ACE 5.0, but it may be used with an ACE 5.0 server if a legacy configuration file is loaded on the server. The legacy configuration must specify authentication to two specific servers (master and slave). See the RSA Security ACE/Server documentation for more information.

To display information about any servers configured for authentication, use the **show aaa server** command. For more information about the output for this command, see the *OmniSwitch CLI Reference Guide*.

Also, you may need to clear the ACE/Server secret occasionally because of misconfiguration or required changes in configuration. Clearing the secret is described in the next section.

Clearing an ACE/Server Secret

The ACE/Server generates “secrets” that it sends to clients for authentication. While you cannot configure the secret on the switch, you can clear it. The secret may need to be cleared because the server and the switch get out of synch. See the RSA Security ACE/Server documentation for more information about the server secret.

To clear the secret on the switch, enter the following command:

```
-> aaa ace-server clear
```

When you clear the secret on the switch, the secret must also be cleared on the ACE/Server as described by the RSA Security ACE/Server documentation.

RADIUS Servers

RADIUS is a standard authentication and accounting protocol defined in RFC 2865 and RFC 2866. A built-in RADIUS client is available in the switch. A RADIUS server that supports Vendor Specific Attributes (VSAs) is required. The Alcatel attributes may include VLAN information, time-of-day, or slot/port restrictions.

RADIUS Server Attributes

RADIUS servers and RADIUS accounting servers are configured with particular attributes defined in RFC 2138 and RFC 2139, respectively. These attributes carry specific authentication, authorization, and configuration details about RADIUS requests to and replies from the server. This section describes the attributes and how to configure them on the server.

Standard Attributes

The following tables list RADIUS server attributes 1–39 and 60–63, their descriptions, and whether the Alcatel RADIUS client in the switch supports them. Attribute 26 is for vendor-specific information and is discussed in [“Vendor-Specific Attributes for RADIUS” on page 17-11](#). Attributes 40–59 are used for RADIUS accounting servers and are listed in [“RADIUS Accounting Server Attributes” on page 17-13](#).

Num.	Standard Attribute	Notes
1	User-Name	Used in access-request and account-request packets.
2	User-Password	—
3	CHAP-Password	<i>Not supported.</i>
4	NAS-IP-Address	Sent with every access-request. Specifies which switches a user may have access to. More than one of these attributes is allowed per user.
5	NAS-Port	Virtual port number sent with access-request and account-request packets. Slot/port information is supplied in attribute 26 (vendor-specific).
6	Service-Type	<i>Not supported. These attributes are used for dial-up sessions; not applicable to the RADIUS client in the switch.</i>
7	Framed-Protocol	
8	Framed-IP-Address	
9	Framed-IP-Netmask	
10	Framed-Routing	
11	Filter-Id	
12	Framed-MTU	
13	Framed-Compression	
14	Login-IP-Host	
15	Login-Service	
16	Login-TCP-Port	
17	Unassigned	—
18	Reply-Message	Multiple reply messages are supported, but the length of all the reply messages returned in one access-accept or access-reject packet cannot exceed 256 characters.

Num.	Standard Attribute	Notes
19	Callback-Number	<i>Not supported. These attributes are used for dial-up sessions; not applicable to the RADIUS client in the switch.</i>
20	Callback-Id	
21	Unassigned	
22	Frame-Route	
23	Framed-IPX-Network	
24	State	Sent in challenge/response packets.
25	Class	Used to pass information from the server to the client and passed unchanged to the accounting server as part of the accounting-request packet.
26	Vendor-Specific	See “Vendor-Specific Attributes for RADIUS” on page 17-11.
27	Session-Timeout	<i>Not supported.</i>
28	Idle-Timeout	<i>Not supported.</i>
29	Termination-Action	<i>Not supported. These attributes are used for dial-up sessions; not applicable to the RADIUS client in the switch.</i>
30	Called-Station-Id	
31	Calling-Station-Id	
32	NAS-Identifier	
33	Proxy-State	
34	Login-LAT-Service	
35	Login-LAT-Node	
36	Login-LAT-Group	
37	Framed-AppleTalk-Link	
38	Framed-AppleTalk-Network	
39	Framed-AppleTalk-Zone	
60	CHAP-Challenge	
61	NAS-Port-Type	
62	Port-Limit	
63	Login-LAT-Port	

Vendor-Specific Attributes for RADIUS

The Alcatel RADIUS client supports attribute 26, which includes a vendor ID and some additional sub-attributes called subtypes. The vendor ID and the subtypes collectively are called Vendor Specific Attributes (VSAs). Alcatel, through partnering arrangements, has included these VSAs in some vendors' RADIUS server configurations.

The attribute subtypes are defined in the server's dictionary file. If you are using single authority mode, the first VSA subtype, Alcatel-Auth-Vlan, must be defined on the server for each authenticated VLAN. Alcatel's vendor ID is 800 (SMI Network Management Private Enterprise Code).

The following are VSAs for RADIUS servers:

Num.	RADIUS VSA	Type	Description
1	Alcatel-Auth-Group	integer	The authenticated VLAN number. The only protocol associated with this attribute is Ethernet II. If other protocols are required, use the protocol attribute instead.
2	Alcatel-Slot-Port	string	Slot(s)/port(s) valid for the user.
3	Alcatel-Time-of-Day	string	The time of day valid for the user to authenticate.
4	Alcatel-Client-IP-Addr	address	The IP address used for Telnet only.
5	Alcatel-Group-Desc	string	Description of the authenticated VLAN.
6	Alcatel-Port-Desc	string	Description of the port.
8	Alcatel-Auth-Group-Protocol	string	The protocol associated with the VLAN. Must be configured for access to other protocols. Values include: IP_E2 , IP_SNAP , IPX_E2 , IPX_NOV , IPX_LLC , IPX_SNAP .
9	Alcatel-Asa-Access	string	Specifies that the user has access to the switch. The only valid value is all .
39	Alcatel-Acce-Priv-F-R1	hex.	Configures functional read privileges for the user.
40	Alcatel-Acce-Priv-F-R2	hex.	Configures functional read privileges for the user.
41	Alcatel-Acce-Priv-F-W1	hex.	Configures functional write privileges for the user.
42	Alcatel-Acce-Priv-F-W2	hex.	Configures functional write privileges for the user.

The Alcatel-Auth-Group attribute is used for Ethernet II only. If a different protocol, or more than one protocol is required, use the Alcatel-Auth-Group-Protocol attribute instead. For example:

```
Alcatel-Auth-Group-Protocol 23: IP_E2 IP_SNAP
Alcatel-Auth-Group-Protocol 24: IPX_E2
```

In this example, authenticated users on VLAN 23 may use Ethernet II or SNAP encapsulation. Authenticated users on VLAN 24 may use IPX with Ethernet II.

Configuring Functional Privileges on the Server

Configuring the functional privileges attributes (**Alcatel-Accep-Priv-F-x**) can be cumbersome because it requires using read and write bitmasks for command families on the switch.

- 1** To display the functional bitmasks of the desired command families, use the **show aaa priv hexa** command.
- 2** On the RADIUS server, configure the functional privilege attributes with the bitmask values.

Note. For more information about configuring users on the switch, see the “Switch Security” chapter in the *OmniSwitch 6800 Switch Management Guide*.

RADIUS Accounting Server Attributes

The following table lists the standard attributes supported for RADIUS accounting servers. The attributes in the **radius.ini** file may be modified if necessary.

Num.	Standard Attribute	Description
1	User-Name	Used in access-request and account-request packets.
4	NAS-IP-Address	Sent with every access-request. Specifies which switches a user may have access to. More than one of these attributes is allowed per user.
5	NAS-Port	Virtual port number sent with access-request and account-request packets. Slot/port information is supplied in attribute 26 (vendor-specific).
25	Class	Used to pass information from the server to the client and passed unchanged to the accounting server as part of the accounting-request packet.
40	Acct-Status-Type	Four values should be included in the dictionary file: 1 (acct-start), 2 (acct-stop), 6 (failure), and 7 (acct-on). Start and stop correspond to login/logout. The accounting-on message is sent when the RADIUS client is started. This attribute also includes an accounting-off value, which is not supported.
42	Acct-Input-Octets	(Authenticated VLANs only) Tracked per port.
43	Acct-Output-Octets	(Authenticated VLANs only) Tracked per port.
44	Acct-Session	Unique accounting ID. (For authenticated VLAN users, Alcatel uses the client's MAC address.)
45	Acct-Authentic	Indicates how the client is authenticated; standard values (1–3) are not used. Vendor specific values should be used instead: AUTH-AVCLIENT (4) AUTH-TELNET (5) AUTH-HTTP (6) AUTH-NONE (0)
46	Acct-Session	The start and stop time for a user's session can be determined from the accounting log.
47	Acct-Input-Packets	(Authenticated VLANs only) Tracked per port.
48	Acct-Output-Packets	(Authenticated VLANs only) Tracked per port.
49	Acct-Terminal-Cause	Indicates how the session was terminated: NAS-ERROR USER-ERROR LOST CARRIER USER-REQUEST STATUS-FAIL

The following table lists the VSAs supported for RADIUS accounting servers. The attributes in the **radius.ini** file may be modified if necessary.

Num.	Accounting VSA	Type	Description
1	Alcatel-Auth-Group	integer	The authenticated VLAN number. The only protocol associated with this attribute is Ethernet II. If other protocols are required, use the protocol attribute instead.
2	Alcatel-Slot-Port	string	Slot(s)/port(s) valid for the user.
4	Alcatel-Client-IP-Addr	dotted decimal	The IP address used for Telnet only.
5	Alcatel-Group-Desc	string	Description of the authenticated VLAN.

Configuring the RADIUS Client

Use the **aaa radius-server** command to configure RADIUS parameters on the switch.

RADIUS server keywords

key	timeout
host	auth-port
retransmit	acct-port

When creating a new server, at least one host name or IP address (specified by the **host** keyword) is required as well as the shared secret (specified by the **key** keyword).

In this example, the server name is **rad1**, the host address is 10.10.2.1, the backup address is 10.10.3.5, and the shared secret is **amadeus**. Note that the shared secret must be configured exactly the same as on the server.

```
-> aaa radius-server rad1 host 10.10.2.1 10.10.3.5 key amadeus
```

To modify a RADIUS server, enter the server name and the desired parameter to be modified.

```
-> aaa radius-server rad1 key mozart
```

If you are modifying the server and have just entered the **aaa radius-server** command to create or modify the server, you can use command prefix recognition. For example:

```
-> aaa radius-server rad1 retransmit 5
-> timeout 5
```

For information about server defaults, see “[Server Defaults](#)” on page 17-3.

To remove a RADIUS server, use the **no** form of the command:

```
-> no aaa radius-server rad1
```

Note that only one server may be deleted at a time.

LDAP Servers

Lightweight Directory Access Protocol (LDAP) is a standard directory server protocol. The LDAP client in the switch is based on several RFCs: 1798, 2247, 2251, 2252, 2253, 2254, 2255, and 2256. The protocol was developed as a way to use directory services over TCP/IP and to simplify the directory access protocol (DAP) defined as part of the Open Systems Interconnection (OSI) effort. Originally it was a front-end for X.500 DAP.

The protocol synchronizes and governs the communications between the LDAP client and the LDAP server. The protocol also dictates how its databases of information, which are normally stored in hierarchical form, are searched, from the root directory down to distinct entries.

In addition, LDAP has its own format that permits LDAP-enabled Web browsers to perform directory searches over TCP/IP.

Setting Up the LDAP Authentication Server

- 1 Install the directory server software on the server.
- 2 Copy the relevant schema LDIF files from the Alcatel software CD to the configuration directory on the server. (Each server type has a command line tool or a GUI tool for importing LDIF files.) Database LDIF files may also be copied and used as templates. The schema files and the database files are specific to the server type. The files available on the Alcatel software CD include the following:

```
aaa_schema.microsoft.ldif
aaa_schema.netscape.ldif
aaa_schema.novell.ldif
aaa_schema.openldap.schema
aaa_schema.sun.ldif

aaa_database.microsoft.ldif
aaa_database.netscape.ldif
aaa_database.novell.ldif
aaa_database.openldap.ldif
aaa_database.sun.ldif
```

- 3 After the server files have been imported, restart the server.

Note. Schema checking should be enabled on the server.

Information in the server files must match information configured on the switch through the **aaa ldap-server** command. For example, the port number configured on the server must be the same as the port number configured on the switch. See [“Configuring the LDAP Authentication Client” on page 17-25](#) for information about using this command.

LDAP Server Details

LDAP servers must be configured with the properly defined LDAP schema and correct database suffix, including well-populated data. LDAP schema is extensible, permitting entry of user-defined schema as needed.

LDAP servers are also able to import and export directory databases using LDIF (LDAP Data Interchange Format).

LDIF File Structure

LDIF is used to transfer data to LDAP servers in order to build directories or modify LDAP databases. LDIF files specify multiple directory entries or changes to multiple entries, but not both. The file is in simple text format and can be created or modified in any text editor. In addition, LDIF files import and export binary data encoded according to the base 64 convention used with MIME (Multipurpose Internet Mail Extensions) to send various media file types, such as JPEG graphics, through electronic mail.

An LDIF file entry used to define an organizational unit would look like this:

```
dn: <distinguished name>
objectClass: top
objectClass: organizationalUnit
ou: <organizational unit name>
<list of optional attributes>
```

Below are definitions of some LDIF file entries:

entries	definition
dn: <distinguished name>	Defines the DN (required).
objectClass: top	Defines top object class (at least one is required). Object class defines the list of attributes required and allowed in directory server entries.
objectClass: organizationalUnit	Specifies that organizational unit should be part of the object class.
ou: <organizationalUnit name>	Defines the organizational unit's name.
<list of attritbutes>	Defines the list of optional entry attributes.

Common Entries

The most common LDIF entries describe people in companies and organizations. The structure for such an entry might look like the following:

```
dn: <distinguished name>
objectClass: top
objectClass: person
objectClass: organizational Person
cn: <common name>
sn: <surname>
<list of optional attributes>
```

This is how the entry would appear with actual data in it.

```
dn: uid=yname, ou=people, o=yourcompany  
objectClass: top  
objectClass: person  
objectClass: organizational Person  
cn: your name  
sn: last name  
givenname: first name  
uid: yname  
ou: people  
description:  
<list of optional attributes>  
...
```

Directory Entries

Directory entries are used to store data in directory servers. LDAP-enabled directory entries contain information about an object (person, place, or thing) in the form of a Distinguished Name (DN) that should be created in compliance with the LDAP protocol naming conventions.

Distinguished names are constructed from Relative Distinguished Names (RDNs), related entries that share no more than one attribute value with a DN. RDNs are the components of DNs, and DNs are string representations of entry names in directory servers.

Distinguished names typically consist of descriptive information about the entries they name, and frequently include the full names of individuals in a network, their email addresses, TCP/IP addresses, with related attributes such as a department name, used to further distinguish the DN. Entries include one or more object classes, and often a number of attributes that are defined by values.

Object classes define all required and optional attributes (a set of object classes is referred to as a “schema”). As a minimum, every entry must include the DN and one defined object class, like the name of an organization. Attributes required by a particular object class must also be defined. Some commonly used attributes that comprise a DN include the following:

**Country (c), State or Province (st), Locality (l),
Organization (o), Organization Unit (ou),
and Common Name (cn)**

Although each attribute would necessarily have its own values, the attribute syntax determines what kind of values are allowed for a particular attribute, e.g., (c=US), where country is the attribute and US is the value. Extra consideration for attribute language codes will be necessary if entries are made in more than one language.

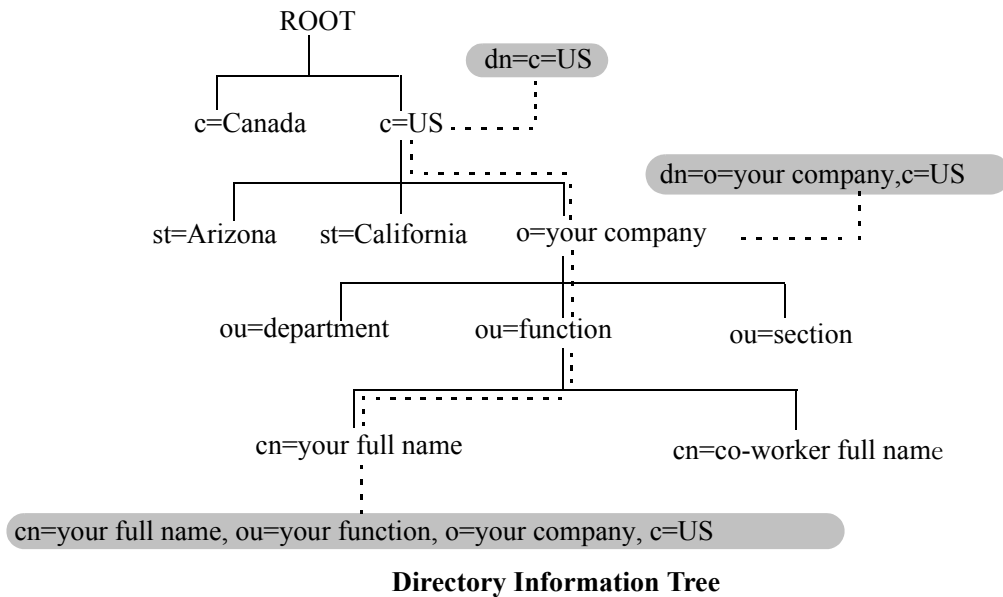
Entries are usually based on physical locations and established policies in a Directory Information Tree (DIT); the DN locates an entry in the hierarchy of the tree. Alias entries pointing to other entries can also be used to circumvent the hierarchy during searches for entries.

Once a directory is set up, DN attributes should thereafter be specified in the same order to keep the directory paths consistent. DN attributes are separated by commas as shown in this example:

cn=your name, ou=your function, o= your company, c=US

As there are other conventions used, please refer to the appropriate RFC specification for further details.

In addition to managing attributes in directory entries, LDAP makes the descriptive information stored in the entries accessible to other applications. The general structure of entries in a directory tree is shown in the following illustration. It also includes example entries at various branches in the tree.



Directory Searches

DNs are always the starting point for searches unless indicated otherwise in the directory schema.

Searches involve the use of various criteria including scopes and filters which must be predefined, and utility routines, such as Sort. Searches should be limited in scope to specific durations and areas of the directory. Some other parameters used to control LDAP searches include the size of the search and whether to include attributes associated with name searches.

Base objects and scopes are specified in the searches, and indicate where to search in the directory. Filters are used to specify entries to select in a given scope. The filters are used to test the existence of object class attributes, and enable LDAP to emulate a “read” of entry listings during the searches. All search preferences are implemented by means of a filter in the search. Filtered searches are based on some component of the DN.

Retrieving Directory Search Results

Results of directory searches are individually delivered to the LDAP client. LDAP referrals to other servers are not returned to the LDAP client, only results or errors. If referrals are issued, the server is responsible for them, although the LDAP client will retrieve results of asynchronous operations.

Directory Modifications

Modifications to directory entries contain changes to DN entry attribute values, and are submitted to the server by an LDAP client application. The LDAP-enabled directory server uses the DNs to find the entries to either add or modify their attribute values.

Attributes are automatically created for requests to add values if the attributes are not already contained in the entries.

All attributes are automatically deleted when requests to delete the last value of an attribute are submitted. Attributes can also be deleted by specifying delete value operations without attaching any values.

Modified attribute values are replaced with other given values by submitting replace requests to the server, which then translates and performs the requests.

Directory Compare and Sort

LDAP will compare directory entries with given attribute values to find the information it needs. The Compare function in LDAP uses a DN as the identity of an entry, and searches the directory with the type and value of an attribute. Compare is similar to the Search function, but simpler.

LDAP will also sort entries by their types and attributes. For the Sort function, there are essentially two methods of sorting through directory entries. One is to sort by entries where the DN (Distinguished Name) is the sort key. The other is to sort by attributes with multiple values.

The LDAP URL

LDAP URLs are used to send search requests to directory servers over TCP/IP on the internet, using the protocol prefix: **ldap://**. (Searches over SSL would use the same prefix with an “s” at the end, i.e., **ldaps://**.)

LDAP URLs are entered in the command line of any web browser, just as HTTP or FTP URLs are entered. When LDAP searches are initiated LDAP checks the validity of the LDAP URLs, parsing the various components contained within the URLs to process the searches. LDAP URLs can specify and implement complex or simple searches of a directory depending on what is submitted in the URLs. Searches performed directly with LDAP URLs are affected by the LDAP session parameters described above.

In the case of multiple directory servers, LDAP URLs are also used for referrals to other directory servers when a particular directory server does not contain any portion of requested IP address information. Search requests generated through LDAP URLs are not authenticated.

Searches are based on entries for attribute data pairs.

The syntax for TCP/IP LDAP URLs is as follows:

ldap://<hostname>:<port>/<base_dn>?attributes?<scope>?<filter>

An example might be:

ldap://ldap.company name.xxx/o=company name%inc./,c=US>
(base search including all attributes/object classes in scope).

LDAP URLs use the percent symbol to represent commas in the DN. The following table shows the basic components of LDAP URLs.

components	description
<ldap>	Specifies TCP/IP connection for LDAP protocol. (The <ldaps> prefix specifies SSL connection for LDAP protocol.)
<hostname>	Host name of directory server or computer, or its IP address (in dotted decimal format).
<port>	TCP/IP port number for directory server. If using TCP/IP and default port number (389), port need not be specified in the URL. SSL port number for directory server (default is 636).

components	description
<base_dn>	DN of directory entry where search is initiated.
<attributes>	Attributes to be returned for entry search results. All attributes are returned if search attributes are not specified.
<scope>	Different results are retrieved depending on the scopes associated with entry searches. “base” search: retrieves information about distinguished name as specified in URL. This is a <base_dn> search. Base searches are assumed when the scope is not designated. “one” (one-level) search: retrieves information about entries one level under distinguished name (<base_dn> as specified in the URL, excluding the base entry. “sub” (subtree) search: retrieves information about entries from all levels under the distinguished name (<base_dn>) as specified in the URL, including the base entry.
<filter>	Search filters are applied to entries within specified search scopes. Default filter objectClass=* is used when filters are not designated. (Automatic search filtering not yet available.)

Password Policies and Directory Servers

Password policies applied to user accounts vary slightly from one directory server to another. Normally, only the password changing policies can be set by users through the directory server graphical user interface (GUI). Other policies accessible only to Network Administrators through the directory server GUI may include one or more of the following operational parameters.

- Log-in Restrictions
- Change Password
- Check Password Syntax
- Password Minimum Length
- Send Expiration Warnings
- Password History
- Account Lockout
- Reset Password Failure Count
- LDAP Error Messages (e.g., Invalid Username/Password, Server Data Error, etc.)

For instructions on installing LDAP-enabled directory servers, refer to the vendor-specific instructions.

Directory Server Schema for LDAP Authentication

Object classes and attributes will need to be modified accordingly to include LDAP authentication in the network (object classes and attributes are used specifically here to map user account information contained in the directory servers).

- All LDAP-enabled directory servers require entry of an auxiliary objectClass:passwordObject for user password policy information.
- Another auxiliary objectClass: password policy is used by the directory server to apply the password policy for the entire server. There is only one entry of this object for the database server.

Note. Server schema extensions should be configured before the **aaa ldap-server** command is configured.

Vendor-Specific Attributes for LDAP Servers

The following are Vendor Specific Attributes (VSAs) for Authenticated Switch Access and/or Layer 2 Authentication:

attribute	description
bop-asa-func-priv-read-1	Read privileges for the user.
bop-asa-func-priv-read-2	Read privileges for the user.
bop-asa-func-priv-write-1	Write privileges for the user.
bop-asa-func-priv-write-2	Write privileges for the user.
bop-asa-allowed-access	Whether the user has access to configure the switch.
bop-asa-snmp-level-security	Whether the user may have SNMP access, and the type of SNMP protocol used.
bop-shakey	A key computed from the user password with the alp2key tool.
bop-md5key	A key computed from the user password with the alp2key tool.
allowedtime	The periods of time the user is allowed to log into the switch.
switchgroups	The VLAN ID and protocol (IP_E2, IP_SNAP, IPX_E2, IPX_NOV, IPX_LLC, IPX_SNAP).

Configuring Functional Privileges on the Server

Configuring the functional privileges attributes (**bop-asa-func-priv-read-1, bop-asa-func-priv-read-2, bop-asa-func-priv-write-1, bop-asa-func-priv-write-2**) requires using read and write bitmasks for command families on the switch.

- 1 To display the functional bitmasks of the desired command families, use the **show aaa priv hexa** command.
- 2 On the LDAP server, configure the functional privilege attributes with the bitmask values.

For more information about configuring users on the switch, see the Switch Security chapter of the *OmniSwitch 6800 Switch Management Guide*.

Configuring Authentication Key Attributes

The alp2key tool is provided on the Alcatel software CD for computing SNMP authentication keys. The alp2key application is supplied in two versions, one for Unix (Solaris 2.5.1 or higher) and one for Windows (NT 4.0 and higher).

To configure the bop-shakey or bop-md5key attributes on the server:

- 1 Use the alp2key application to calculate the authentication key from the password of the user. The switch automatically computes the authentication key, but for security reasons the key is never displayed in the CLI.
- 2 Cut and paste the key to the relevant attribute on the server.

An example using the alp2key tool to compute the SHA and MD5 keys for **mypassword**:

```
ors40595{ }128: alp2key mypassword
bop-shakey: 0xb1112e3472ae836ec2b4d3f453023b9853d9d07c
bop-md5key: 0xeb3ad6ba929441a0ff64083d021c07f1
ors40595{ }129:
```

Note. The bop-shakey and bop-md5key values must be recomputed and copied to the server any time a user's password is changed.

LDAP Accounting Attributes

Logging and accounting features include Account Start, Stop and Fail Times, and Dynamic Log. Typically, the Login and Logout logs can be accessed from the directory server software. Additional third-party software is required to retrieve and reset the log information to the directory servers for billing purposes.

The following sections describe accounting server attributes.

AccountStartTime

User account start times are tracked in the AccountStartTime attribute of the user's directory entry that keeps the time stamp and accounting information of user log-ins. The following fields (separated by carriage returns “\n”) are contained in the Login log. Some fields are only used for Layer 2 Authentication.

Fields Included For Any Type of Authentication

- User account ID or username client entered to log-in: variable length digits.
- Time Stamp (YYYYMMDDHHMMSS (YYYY:year, MM:month, DD:day, HH:hour, MM:minute, SS:second))
- Switch serial number: Alcatel.BOP.<switch name>.<MAC address>
- Client IP address: variable length digits.

Fields Included for Layer 2 Authentication Only

- Client MAC address: xx:xx:xx:xx:xx:xx:xx (alphanumeric).
- Switch VLAN number client joins in multiple authority mode (0=single authority; 2=multiple authority); variable-length digits.
- Switch slot number to which client connects: nn
- Switch port number to which client connects: nn
- Switch virtual interface to which client connects: nn

AccountStopTime

User account stop times are tracked in the AccountStopTime attribute that keeps the time stamp and accounting information of successful user log-outs. The same fields as above (separated by carriage returns “\n”) are contained in the Logout log. A different carriage return such as the # sign may be used in some situations. Additionally, these fields are included but apply only to the Logout log:

Fields For Any Type of Authentication

- Log-out reason code, for example LOGOFF(18) or DISCONNECTED BY ADMIN(19)
- User account ID or username client entered to log-in: variable length digits.

Fields For Layer 2 Authentication Only

- Number of bytes received on the port during the client’s session from log-in to log-out: variable length digits.
- Number of bytes sent on the port during the client’s session from log-in to log-out: variable length digits.
- Number of frames received on the port during the client’s session from log-in to log-out: variable length digits.
- Number of frames sent on the port during the clients session from log-in to log-out: variable length digits.

AccountFailTime

The AccountFailTime attribute log records the time stamp and accounting information of unsuccessful user log-ins. The same fields in the Login Log—which are also part of the Logout log (separated by carriage returns “\n”)—are contained in the Login Fail log. A different carriage return such as the # sign may be used in some situations. Additionally, these fields are included but apply only to the Login Fail log.

- User account ID or username client entered to log-in: variable length digits.
- Log-in fail error code: nn. For error code descriptions refer to the vendor-specific listing for the specific directory server in use.
- Log-out reason code, for example PASSWORD EXPIRED(7) or AUTHENTICATION FAILURE(21)

Dynamic Logging

Dynamic logging may be performed by an LDAP-enabled directory server if an LDAP server is configured **first** in the list of authentication servers configured through the the **aaa accounting vlan** or **aaa accounting session** command. Any other servers configured are used for accounting (storing history records) only. For example:

```
-> aaa accounting session ldap2 rad1 rad2
```

In this example, server **ldap2** will be used for dynamic logging, and servers **rad1** and **rad2** will be used for accounting.

If you specify a RADIUS server first, all of the servers specified will be used for recording history records (not logging). For example:

```
-> aaa accounting session rad1 ldap2
```

In this example, both the **rad1** and **ldap2** servers will be used for history only. Dynamic logging will not take place on the LDAP server.

Dynamic entries are stored in the LDAP-enabled directory server database from the time the user successfully logs in until the user logs out. The entries are removed when the user logs out.

- Entries are associated with the switch the user is logged into.
- Each dynamic entry contains information about the user's connection. The related attribute in the server is bop-loggedusers.

A specific object class called **alcatelBopSwitchLogging** contains three attributes as follows:

Attribute	Description
bop-basemac	MAC range, which uniquely identifies the switch
bop-switchname	Host name of the switch.
bop-loggedusers	Current activity records for every user logged onto the switch identified by bop-basemac.

Each switch that is connected to the LDAP-enabled directory server will have a DN starting with bop-basemac-xxxxx, ou=bop-logging. If the organizational unit ou=bop.logging exists somewhere in the tree under searchbase, logging records are written on the server. See the server manufacturer's documentation for more information about setting up the server.

The `bop-loggedusers` attribute is a formatted string with the following syntax:

loggingMode : accessType ipAddress port macAddress vlanList userName

The fields are defined here:

Field	Possible Values
loggingMode	<p>ASA <i>x</i>—for an authenticated user session, where <i>x</i> is the number of the session</p> <p>AVLAN—for Authenticated VLAN session in single authority mode</p> <p>AVLAN <i>y</i>—for Authenticated VLAN session in multiple authority mode, where <i>y</i> is relevant VLAN</p>
accessType	Any one of the following: CONSOLE , MODEM , TELNET , HTTP , FTP , XCAP
ipAddress	The string IP followed by the IP address of the user.
port	(For Authenticated VLAN users only.) The string PORT followed by the slot/port number.
macAddress	(For Authenticated VLAN users only.) The string MAC followed by the MAC address of the user.
vlanList	(For Authenticated VLAN users only.) The string VLAN followed by the list of VLANs the user is authorized (for single-mode authority).
userName	The login name of the user.

For example:

```
"ASA      0      :  CONSOLE IP 65.97.233.108   Jones"
```

Configuring the LDAP Authentication Client

Use the `aaa ldap-server` command to configure LDAP authentication parameters on the switch. The server name, host name or IP address, distinguished name, password, and the search base name are required for setting up the server. Optionally, a backup host name or IP address may be configured, as well as the number of retransmit tries, the timeout for authentication requests, and whether or not a secure Socket Layer (SSL) is enabled between the switch and the server.

Note. The server should be configured with the appropriate schema before the `aaa ldap-server` command is configured.

The keywords for the `aaa ldap-server` command are listed here:

Required for creating:	optional:
host	type
dn	retransmit
password	timeout
base	port
	ssl

Creating an LDAP Authentication Server

An example of creating an LDAP server:

```
-> aaa ldap-server ldap2 host 10.10.3.4 dn cn=manager password tpub base c=us
```

In this example, the switch will be able to communicate with an LDAP server (called **ldap2**) that has an IP address of 10.10.3.4, a domain name of cn=manager, a password of tpub, and a searchbase of c=us. These parameters must match the same parameters configured on the server itself.

Note. The distinguished name must be different from the searchbase name.

Modifying an LDAP Authentication Server

To modify an LDAP authentication server, use the **aaa ldap-server** command with the server name; or, if you have just entered the **aaa ldap-server** command to create or modify the server, you can use command prefix recognition. For example:

```
-> aaa ldap-server ldap2 password my_pass
-> timeout 4
```

In this example, an existing LDAP server is modified with a different password, and then the timeout is modified on a separate line. These two command lines are equivalent to:

```
-> aaa ldap-server ldap2 password my_pass timeout 4
```

Setting Up SSL for an LDAP Authentication Server

A Secure Socket Layer (SSL) may be set up on the server for additional security. When SSL is enabled, the server's identity will be authenticated. The authentication requires a certificate from a Certification Authority (CA). If the CA providing the certificate is well-known, the certificate is automatically extracted from the **Kbase.img** file on the switch (**certs.pem**). If the CA is not well-known, the CA's certificate must be transferred to the switch via FTP to the /flash/certified or /flash/working directory and should be named **optcerts.pem**. The switch merges either or both of these files into a file called **ldapcerts.pem**.

To set up SSL on the server, specify **ssl** with the **aaa ldap-server** command:

```
-> aaa ldap-server ldap2 ssl
```

The switch automatically sets the port number to 636 when SSL is enabled. The 636 port number is typically used on LDAP servers for SSL. The port number on the switch must match the port number configured on the server. If the port number on the server is different from the default, use the **aaa ldap-server** command with the **port** keyword to configure the port number. For example, if the server port number is 635, enter the following:

```
-> aaa ldap-server ldap2 port 635
```

The switch will now be able to communicate with the server on port 635.

To remove SSL from the server, use **no** with the **ssl** keyword. For example:

```
-> aaa ldap-server ldap2 no ssl
```

SSL is now disabled for the server.

Removing an LDAP Authentication Server

To delete an LDAP server from the switch configuration, use the **no** form of the command with the relevant server name.

```
-> no aaa ldap-server topanga5
```

The topanga5 server is removed from the configuration.

Verifying the Authentication Server Configuration

To display information about authentication servers, use the following command:

show aaa server Displays information about a particular AAA server or AAA servers.

An example of the output for this command is given in [“Quick Steps For Configuring Authentication Servers” on page 17-4](#). For more information about the output of this command, see the *OmniSwitch CLI Reference Guide*.

18 Configuring Authenticated VLANs

Authenticated VLANs control user access to network resources based on VLAN assignment and a user log-in process; the process is sometimes called user authentication or Layer 2 Authentication. (Another type of security is device authentication, which is set up through the use of port-binding VLAN policies or static port assignment. See [Chapter 7, “Defining VLAN Rules.”](#)) In this chapter, the terms *authenticated VLANs* (AVLANs) and *Layer 2 Authentication* are synonymous.

Layer 2 Authentication is different from another feature in the switch called Authenticated Switch Access, which is used to grant individual users access to manage the switch. For more information about Authenticated Switch Access, see the “Switch Security” chapter in the *OmniSwitch 6800 Switch Management Guide*.

In This Chapter

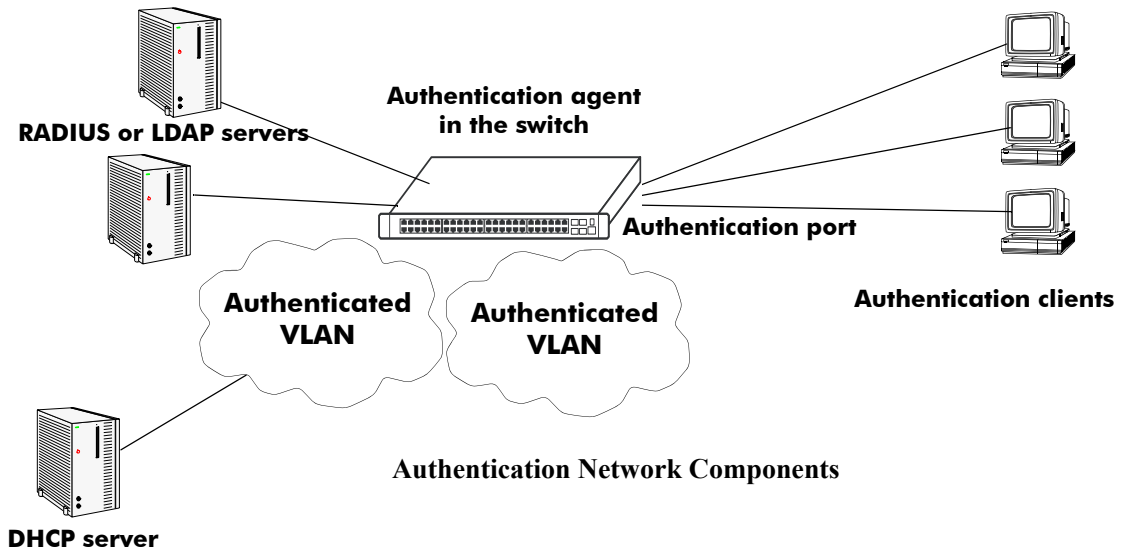
This chapter describes authenticated VLANs and how to configure them through the Command Line Interface (CLI). CLI commands are used in the configuration examples; for more details about the syntax of commands, see the *OmniSwitch CLI Reference Guide*.

The authentication components described in this chapter include:

- **Authentication clients**—see [“Setting Up Authentication Clients”](#) on page 18-7.
- **Authenticated VLANs**—see [“Configuring Authenticated VLANs”](#) on page 18-26.
- **Authentication ports**—see [“Configuring Authenticated Ports”](#) on page 18-28.
- **DHCP server**—see [“Setting Up the DHCP Server”](#) on page 18-29.
- **Authentication server authority mode**—see [“Configuring the Server Authority Mode”](#) on page 18-32.
- **Accounting servers**—see [“Specifying Accounting Servers”](#) on page 18-35.

Authenticated Network Overview

An authenticated network involves several components as shown in this illustration.



This chapter describes all of these components in detail, except the external authentication servers, which are described in [Chapter 17, “Managing Authentication Servers.”](#) A brief overview of the components is given here:

Authentication servers—A RADIUS or LDAP server must be configured in the network. The server contains a database of user information that the switch checks whenever a user tries to authenticate through the switch. (*Note that the local user database on the switch may not be used for Layer 2 authentication.*) Backup servers may be configured for the authentication server.

- **RADIUS or LDAP server.** Follow the manufacturer’s instructions for your particular server. The external server may also be used for Authenticated Switch Access. Server details, such as RADIUS attributes and LDAP schema information, are given in [Chapter 17, “Managing Authentication Servers.”](#)
- **RADIUS or LDAP client in the switch.** The switch must be set up to communicate with the RADIUS or LDAP server. This chapter briefly describes the switch configuration. See [Chapter 17, “Managing Authentication Servers,”](#) for detailed information about setting up switch parameters for authentication servers.

Authentication clients—Authentication clients login through the switch to get access to authenticated VLANs. There are three types of clients:

- **AV-Client.** This is an Alcatel-proprietary authentication client. The AV-Client does not require an IP address prior to authentication. The client software must be installed on the user’s end station. This chapter describes how to install and configure the client. See [“Installing the AV-Client” on page 18-12.](#)
- **Telnet client.** Any standard Telnet client may be used. A IP address is required prior to authentication. An overview of the Telnet client is provided in [“Setting Up Authentication Clients” on page 18-7.](#)

- **Web browser client.** Any standard Web browser may be used (Netscape or Internet Explorer). An IP address is required prior to authentication. See [“Web Browser Authentication Client” on page 18-7](#) for more information about Web browser clients.

Authenticated VLANs—At least one authenticated VLAN must be configured. See [“Configuring Authenticated VLANs” on page 18-26](#).

Authentication port—At least one mobile port must be configured on the switch as an authentication port. This is the physical port through which authentication clients are attached to the switch. See [“Configuring Authenticated Ports” on page 18-28](#)

DHCP Server—A DHCP server can provide IP addresses to clients prior to authentication. After authentication, any client can obtain an IP address in an authenticated VLAN to which the client is allowed access. A relay to the server must be set up on the switch. See [“Setting Up the DHCP Server” on page 18-29](#).

Authentication agent in the switch—Authentication is enabled when the server(s) and the server authority mode is specified on the switch. See [“Configuring the Server Authority Mode” on page 18-32](#).

These components are described in more detail in the next sections.

AVLAN Configuration Overview

Configuring authenticated VLANs requires several major steps. The steps are outlined here and described throughout this chapter. See [“Sample AVLAN Configuration” on page 18-5](#) for a quick overview of implementing the commands used in these procedures.

- 1 Set up authentication clients.** See [“Setting Up Authentication Clients” on page 18-7](#).
- 2 Configure at least one authenticated VLAN.** A router port must be set up in at least one authenticated VLAN for the DHCP relay. See [“Configuring Authenticated VLANs” on page 18-26](#).
- 3 Configure at least one authenticated mobile port.** Required for connecting the clients to the switch. See [“Configuring Authenticated Ports” on page 18-28](#).
- 4 Set up the DHCP server.** Required if you are using Telnet or Web browser clients. Required for any clients that need to get IP addresses after authentication. See [“Setting Up the DHCP Server” on page 18-29](#).
- 5 Configure the authentication server authority mode.** See [“Configuring the Server Authority Mode” on page 18-32](#).
- 6 Specify accounting servers for authentication sessions.** Optional; accounting may also be done through the switch logging feature in the switch. See [“Specifying Accounting Servers” on page 18-35](#).

The following is a summary of commands used in these procedures.

Commands	Used for ...
vlan authentication	Enabling authentication on VLAN(s)
vlan router ip	Setting up a router port on the authenticated VLAN.
vlan port mobile vlan port authenticate	Creating authenticated port(s)
aaa avlan dns	Configuring a DNS name; required for Web browser clients
ip helper address aaa avlan default dhcp ip helper avlan only	Configuring the DHCP server; required for for Telnet and Web browser clients.
aaa vlan no	Removing a user from an authenticated VLAN
aaa ldap-server aaa radius-server	Setting up switch communication with authentication servers
aaa authentication vlan single-mode aaa authentication vlan multiple-mode	Enabling authentication and setting the authority mode for servers
aaa accounting vlan	Specifying accounting for AVLAN sessions.

Sample AVLAN Configuration

- 1 Enable at least one authenticated VLAN:

```
-> vlan 2 authentication enable
```

Note that this command does not create a VLAN; the VLAN must already be created. For information about creating VLANs, see [Chapter 4, “Configuring VLANs.”](#)

The VLAN must also have a router port if Telnet or Web browser clients will be authenticating into this VLAN. The following command configures a router port on VLAN 2:

```
-> vlan 2 router ip 10.10.2.20
```

- 2 Create and enable at least one mobile authenticated port. The port must be in VLAN 1, the default VLAN on the switch.

```
-> vlan port mobile 3/1
-> vlan port 3/1 authenticate enable
```

- 3 Set up a DNS path if users will be authenticating through a Web browser:

```
-> aaa avlan dns auth.company
```

- 4 Set up a path to a DHCP server if users will be getting IP addresses from DHCP. The IP helper address is the IP address of the DHCP server; the AVLAN default DHCP address is the address of any router port configured on the VLAN.

```
-> ip helper address 10.10.2.5
-> aaa avlan default dhcp 10.10.2.20
```

If the relay will be used for authentication only, enter the **ip helper avlan only** command:

```
-> ip helper avlan only
```

Note. To check the DNS and DHCP authentication configuration, enter the **show aaa avlan config** command. For example:

```
-> show aaa avlan config
default DHCP relay address= 192.9.33.222
authentication DNS name   = authent.company.com
```

For more information about this command, see the *OmniSwitch CLI Reference Guide*.

- 5 Configure the switch to communicate with the authentication servers. Use the **aaa radius-server** or **aaa ldap-server** command. For example:

```
-> aaa radius-server rad1 host 10.10.1.2 key wwwtoe timeout 3
-> aaa ldap server ldap2 host 199.1.1.1 dn manager password foo base c=us
```

See [Chapter 17, “Managing Authentication Servers,”](#) for more information about setting up external servers for authentication.

6 Enable authentication by specifying the authentication mode (single mode or multiple mode) and the server. Use the RADIUS or LDAP server name(s) configured in step 5. For example:

```
-> aaa authentication vlan single-mode rad1 rad2
```

7 Set up an accounting server (for RADIUS or LDAP) for authentication sessions.

```
-> aaa accounting vlan rad3 local
```

Note. Verify the authentication server configuration by entering the **show aaa authentication vlan** command or verify the accounting server configuration by entering the **show aaa accounting vlan** command. For example:

```
-> show aaa authentication vlan
All authenticated vlans
1rst authentication server = rad1,
2nd authentication server  = ldap2
```

```
-> show aaa accounting vlan
All authenticated vlans
1rst authentication server = rad3,
2nd authentication server  = local
```

For more information about these commands, see the *OmniSwitch CLI Reference Guide*.

Setting Up Authentication Clients

The following sections describe the Telnet authentication client, Web browser authentication client, and Alcatel's proprietary AV-Client. For information about removing a particular client from an authenticated network, see [“Removing a User From an Authenticated Network” on page 18-26](#).

An overview of authentication clients is given in the following table:

Type of Client	Secure	Single Sign-on	IP Address Required	IP Release/Renew	Platforms Supported
<i>AV-Client</i>	no	yes	no	automatic	Windows only (except ME)
<i>Telnet</i>	no	no	yes	manual	Windows Linux Mac OS 9.x (no Telnet by default) Mac OS X.1
<i>Web Browser (HTTP)</i>	yes (SSL)	no	yes	automatic	Windows (IE version 4.72 and later; Netscape version 4.7 and later) Linux (Netscape version 4.75 and later) Mac OS 9.x (IE versions 5.5 and later, including 5.0 and 5.14) Mac OS X.1 (IE versions between 5.0 and 5.5, except 5.0, 5.5, and 5.14)

Telnet Authentication Client

Telnet clients authenticate through a Telnet session.

- **Make sure a Telnet client is available on the client station.** No specialized authentication client software is required on Telnet client workstations.
- **Provide an IP address for the client.** Telnet clients require an address prior to authentication. The address may be statically assigned if the authentication network is set up in single authority mode with one authenticated VLAN. The address may be assigned dynamically if a DHCP server is located in the network. DHCP is required in networks with multiple authenticated VLANs.
- **Configure a DHCP server.** Telnet clients may get IP addresses via a DHCP server prior to authenticating or after authentication in order to move into a different VLAN. When multiple authenticated VLANs are configured, after the client authenticates the client must issue a DHCP release/renew request in order to be moved into the correct VLAN. Typically Telnet clients cannot automatically do a release/renew and must be manually configured. For information about configuring the DHCP server, see [“Setting Up the DHCP Server” on page 18-29](#).

Web Browser Authentication Client

Web browser clients authenticate through the switch via any standard Web browser software (Netscape Navigator or Internet Explorer).

- **Make sure a standard browser is available on the client station.** No specialized client software is required.
- **Provide an IP address for the client.** Web browser clients require an address prior to authentication. The address may be statically assigned if the authentication network is set up in single authority mode

with one authenticated VLAN. The address may be assigned dynamically if a DHCP server is located in the network. DHCP is required in networks with multiple authenticated VLANs.

- **Configure a DHCP server.** Web browser clients may get IP addresses via a DHCP server prior to authenticating or after authentication in order to move into a different VLAN. When multiple authenticated VLANs are configured, after the client authenticates the client must issue a DHCP release/renew request in order to be moved into the correct VLAN. Web browser clients automatically issue DHCP release/renew requests after authentication. For more information, see [“Setting Up the DHCP Server” on page 18-29](#).
- **Configure a DNS name on the switch.** A DNS name must be configured so that users may enter a URL rather than an IP address in the browser command line. For more information, see [“Setting Up a DNS Path” on page 18-29](#).

Configuring the Web Browser Client Language File

If you want the Web browser client to display the username and password prompts in another language, modify the `label.txt` file with the desired prompts.

The `label.txt` file is available in the `/flash/switch` directory when you install the `Ksecu.img` file as described in the next section.

The file may be edited with any text editor, and the format of the username and password prompts is as follows:

```
Username="username_string"  
Password="password_string"
```

Use the `aaa avlan http language` command to enable this file. For example:

```
-> aaa avlan http language
```

The `label.txt` file will be used for Web browser authentication clients.

Note. If you want to return to the default language (English) for the Web browser prompts, delete the contents of the file.

Required Files for Web Browser Clients

Make sure the `/flash/switch/avlan` directory is available on the switch. The directory must be manually installed using the `install` command to load `Ksecu.img`. The `Ksecu.img` file is available in the working directory on the switch. When the `Ksecu.img` file is installed, the `/flash/switch/avlan` directory will be available on the switch.

Important. When you install the `Ksecu.img` file after initial installation, any files in the `/flash/switch/avlan` directory will be overwritten.

The `/flash/switch/avlan` directory contains authentication HTML pages for the client that may be modified (to include a company logo, for example). The names of these files are: `topA.html`, `topB.html`, `bottomA.html`, `bottomB.html`, and `myLogo.gif`.

The directory also contains files that *must* be installed on Mac OS Web browser clients as described in the next sections.

Installing Files for Mac OS 9.x Clients

- 1** In the browser URL command line, enter the authentication DNS name (configured through the **aaa avlan dns** command). The authentication page displays.
- 2** Click on the link to download the installation software. The **javlanInstall.sit** file is copied to the Mac desktop.
- 3** Double-click the **javlanInstall.sit** file on the desktop.
- 4** Double-click on the application javlanInstall AppleScript inside the newly created directory. The workstation is now setup for authentication.

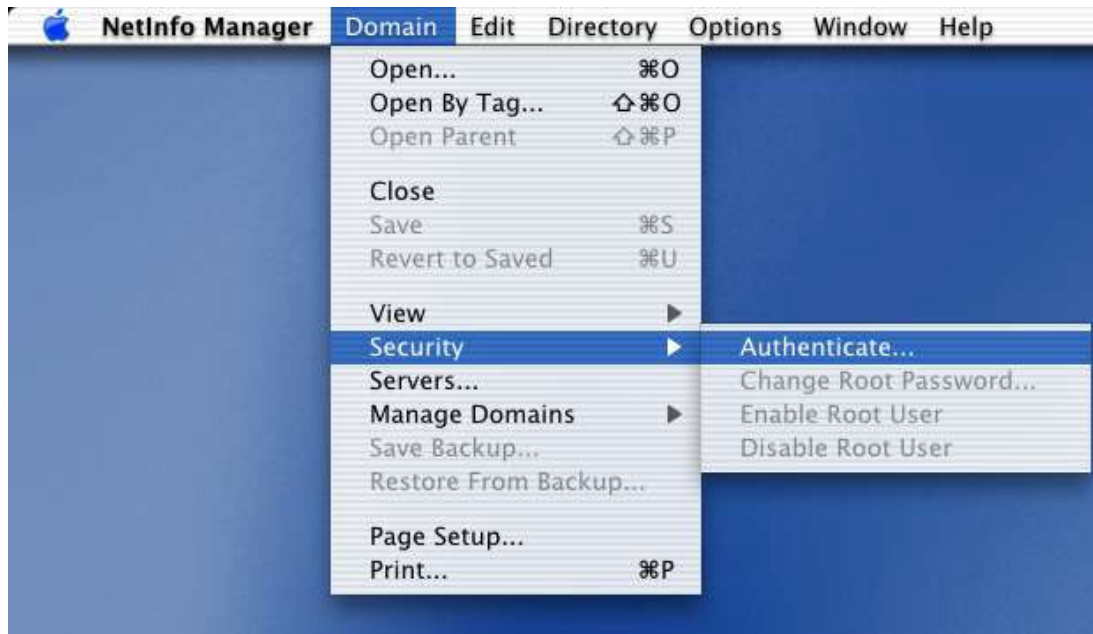
Installing Files for Mac OSX.1 Clients

The installation must be done at the root. Root access is not automatic in OSX.1. A password must be set to activate it.

Disconnect the Mac's network connection before setting root access. Otherwise, the NetInfo Manager application in the Mac OS will send multiple DNS requests, and the process to set root access will take longer.

To set root access:

- 1 Open the NetInfo from the HardDisk/Application/Utilities folder.
- 2 Select Domain > Security > Authenticate. Enter the administrator's password if required.



- 3 Select Domain > Security > Enable Root. Enter the password.
- 4 Select System Preferences/Login and select the login prompt to display when opening a new session.
- 5 Quit the current session and relogin as the root user.
- 6 Make sure Ethernet-DCHP is selected in the Network Utility.
- 7 Reconnect the Ethernet cable.
- 8 If you are using a self-signed SSL certificate, or the certificate provided by Alcatel (**wv-cert.pem**), see [“DNS Name and Web Browser Clients” on page 18-11](#).

To set up the Mac OSX.1 for authentication:

- 1 In the browser URL command line, enter the DNS name configured on the switch (see the next section for setting up the DNS name for Mac OSX clients). The authentication page displays.
- 2 Click on the link to download the installation software. The **avlanInstall.tar** file is copied to the Mac desktop.
- 3 Double-click on the **avlanInstall.tar** file.
- 4 Make sure that Java is enabled in the browser application.
- 5 Make sure the SSL certificate is installed correctly (see [“SSL for Web Browser Clients” on page 18-11](#)) and that the DNS name configured on the switch matches the DNS name in the certificate (see [“DNS Name and Web Browser Clients” on page 18-11](#)).

SSL for Web Browser Clients

A Secure Socket Layer (SSL) is used to authenticate Web browser clients. A certificate from a Certification Authority (CA) or a self-signed (private) certificate must be installed on the switch. A self-signed certificate is provided by Alcatel (**wv-cert.pem**). If you are using a well-known certificate or some other self-signed certificate, you should replace the **wv-cert.pem** file with the relevant file.

Web browser clients will automatically recognize well-known SSL certificates, but if a self-signed certificate (such as the **wv-cert.pem** file) is used, the client will not automatically recognize the certificate.

Windows, Linux, and Mac OS 9 Clients

If you are using the **wv-cert.pem** file or another self-signed certificate, the client will not recognize the certificate, and a warning message will display on the client; however, the client will be allowed to authenticate.

Mac OSX.1 Clients

On Mac OSX.1, if you are using the **wv-cert.pem** file or another self-signed certificate, the certificate file must be FTP'd to the workstation and installed with the **keytool** command as follows:

- 1 FTP the **wv-cert.pem** file (or the relevant certificate file) from the /flash/switch directory on the switch to the workstation.
- 2 On the Mac workstation, open a Terminal application at the root (see the previous section for information about enabling root access). Enter the following command:

```
keytool -import -keystore <path to JDK installation>/lib/security/cacerts -alias ALCATEL_AVLAN  
- file <path to certificate file>
```

For example:

```
keytool -import -keystore /System/Library/Frameworks/JavaVM.framework/Versions/  
1.3.1/Home/lib/security/cacerts -alias ALCATEL_AVLAN - file/Users/endalat/  
Desktop/wv-cert.pem
```

Note. The **keytool** command requires a password. By default, the password is **changeit**.

DNS Name and Web Browser Clients

For Mac OSX.1 clients, the DNS name in the certificate must match the DNS name configured on the switch through the **aaa avlan dns** command. If the DNS names do not match, the Java applet in the client cannot be loaded and the client cannot authenticate. (For other clients, if the DNS names do not match, a warning will display when the client attempts to authenticate; however, the client is still allowed to authenticate.)

The **wv-cert.pem** certificate contains a default DNS name (**webview**). To configure the DNS name on the switch, enter the **aaa avlan dns** command with the DNS name matching the one in the certificate. For example:

```
-> aaa dns avlan webview
```

On the browser workstation, the authentication user must enter the DNS name in the browser command line to display the authentication page.

For more information about configuring a DNS name, see [“Setting Up a DNS Path” on page 18-29](#).

Installing the AV-Client

The AV-Client is a proprietary Windows-based application that is installed on client end stations. The installation instructions are provided in this chapter.

The AV-Client does not require an IP address in order to authenticate; the client relies on the DLC protocol (rather than IP) to communicate with the authentication agent in the switch. After authentication, the client may issue a DHCP release/renew request to get an IP address; a utility in the client software may be used to configure this automatic request. For information about configuring the utility, see [“Configuring the AV-Client Utility” on page 18-18](#).

The AV-Client software requires three main installation steps as listed here. These steps are slightly different depending on the version of Windows you are using.

- **Load the Microsoft DLC protocol stack.** See [“Loading the Microsoft DLC Protocol Stack” on page 18-12](#).
- **Load the AV-Client software.** See [“Loading the AV-Client Software” on page 18-13](#).
- **Set the AV-Client as primary network login (Windows 95 and 98).** See [“Setting the AV-Client as Primary Network Login” on page 18-18](#).
- **Configure the AV-Client for DHCP (optional).** See [“Configuring the AV-Client Utility” on page 18-18](#).

Loading the Microsoft DLC Protocol Stack

Windows 2000 and Windows NT

You must have the DLC protocol installed on your Windows PC workstation before you install the AV-Client. The installation of the DLC protocol stack may require files from the Windows distribution software. Make sure to have your Windows media available during this procedure. Follow these steps to load the protocol on a Windows workstation.

- 1 From your Windows desktop, select Start > Settings > Control Panel.
- 2 Double-click the Network icon. When the Network window opens, select the Protocols tab.
- 3 Click the **Add** button and the Select Network Protocol window appears.
- 4 Select the DLC protocol from the list of Network Protocols. Click **OK**.
- 5 Follow the screen prompts requesting Windows files.

Windows 98

- 1 From your Windows desktop, select Start > Settings > Control Panel.
- 2 Double-click the Network icon. When the Network window opens, select the Configuration tab.
- 3 Click the **Add** button and the Select Network Component Type window appears.
- 4 Select Protocol and click the **Add** button.
- 5 When the Select Network Protocol window appears, select Microsoft from the list of manufacturers and Microsoft 32-bit DLC from the list of Network Protocols. Click **OK**.
- 6 Follow the prompts requesting Windows files.

Windows 95

Install the 32-bit DLC protocol program and the update patch from the Microsoft FTP site (ftp.microsoft.com). From the FTP site, download the MSDLC32.EXE and DLC32UPD.EXE files (or the latest DLC protocol update). These files are self-extracting zip files. Follow these steps:

- 1 Double-click the MSDLC32.EXE file in the folder to which you want to download the file.

Note. Do not run MSDLC32.EXE file in the Windows or Windows/System folders. If you downloaded the file to either of these locations, copy it to a temporary folder on your hard disk or copy it to an installation diskette before double-clicking on it.

- 2 From your Windows desktop, select Start > Settings > Control Panel.
- 3 Double-click the Network icon in the Control Panel.
- 4 In the Network dialog box, click on the **Add** button.
- 5 In the Select Network Component Type dialog box, double-click on the Protocol network component.
- 6 In the Select Network Protocol dialog box, click on the **Have Disk** button.
- 7 Specify the drive and path where the MSDLC32.EXE files (you should have already extracted them) are located. For example, if you created an installation diskette, you would enter

`<drive letter>:\`

If you created a temporary folder on your hard disk, then you would enter

`C:\<folder name>`

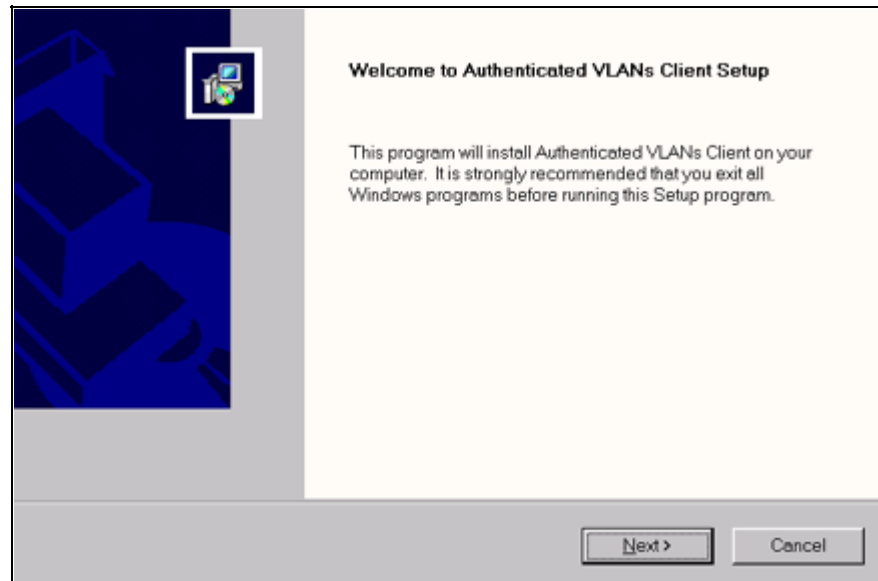
where folder name is the directory or path into which you copied the MSDLC32.EXE files. Click **OK**.

- 8 Click "Microsoft 32-bit DLC", then click **OK** again.
- 9 When prompted, insert the Windows 95 disks so that other network components can be reinstalled.
- 10 When prompted, shut down your computer and restart Windows 95. This restart is required for the DLC protocol stack to load on the system.
- 11 Next, the DLC protocol stack update must be loaded. Double click the DLC32UPD.EXE file. The program will install itself. After installing the update, it is recommended that the system be rebooted.

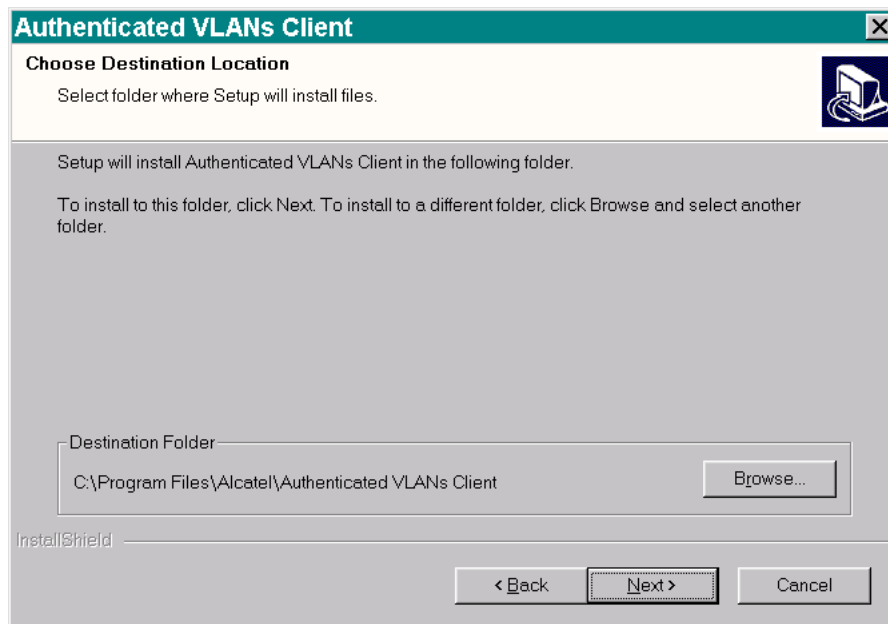
Loading the AV-Client Software

Windows 2000 and Windows NT

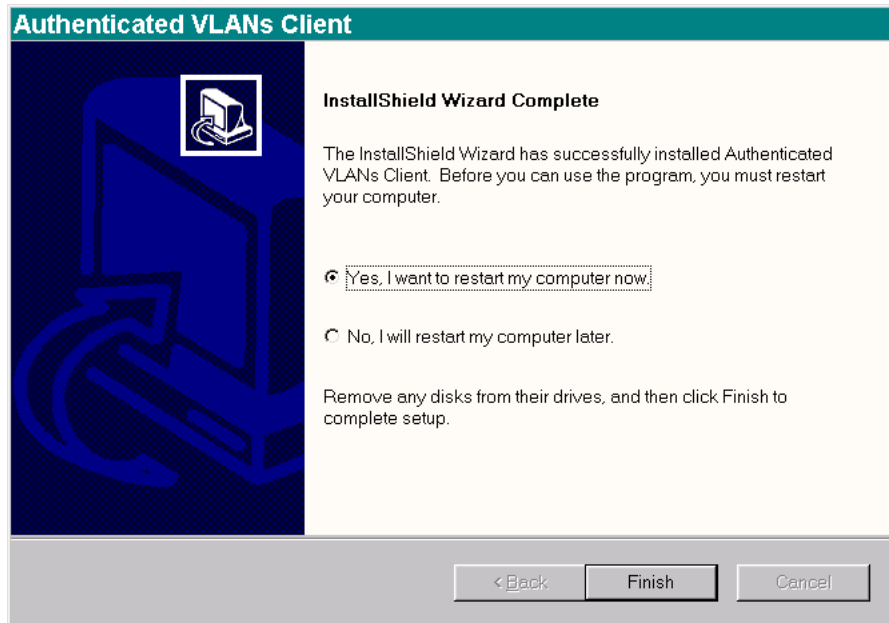
- 1 Download the AV-Client from the Alcatel website onto the Windows desktop.
- 2 Double-click the AV-Client icon. The installation routine begins and the following window displays:



3 We recommend that you follow the instructions on the screen regarding closing all Windows programs before proceeding with the installation. Click on the **Next** button. The following window displays.



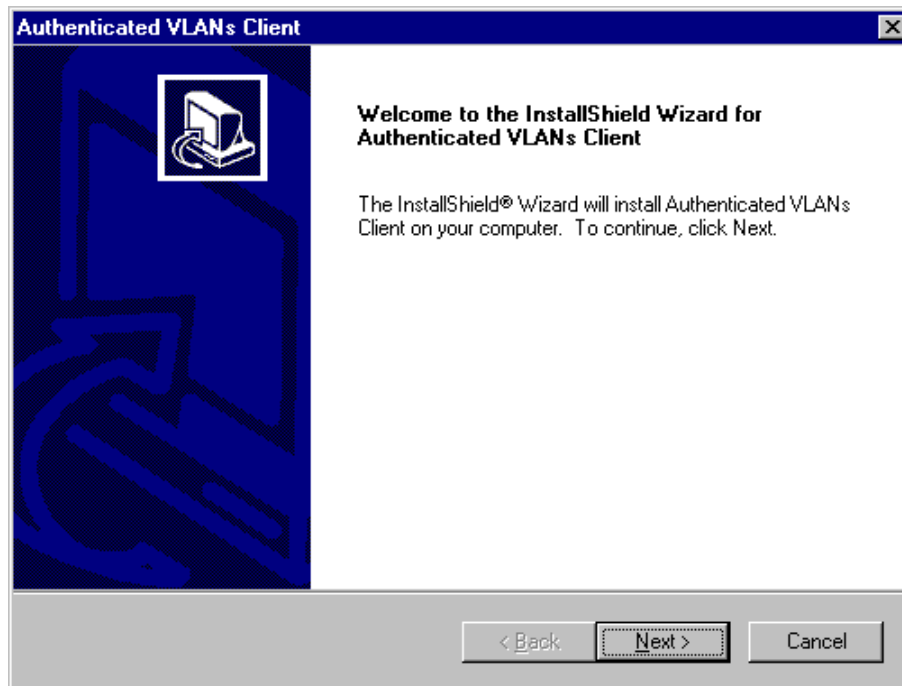
4 From this window you may install the client at the default destination folder shown on the screen or you may click the **Browse** button to select a different directory. Click on the **Next** button. The software loads, and the following window displays.



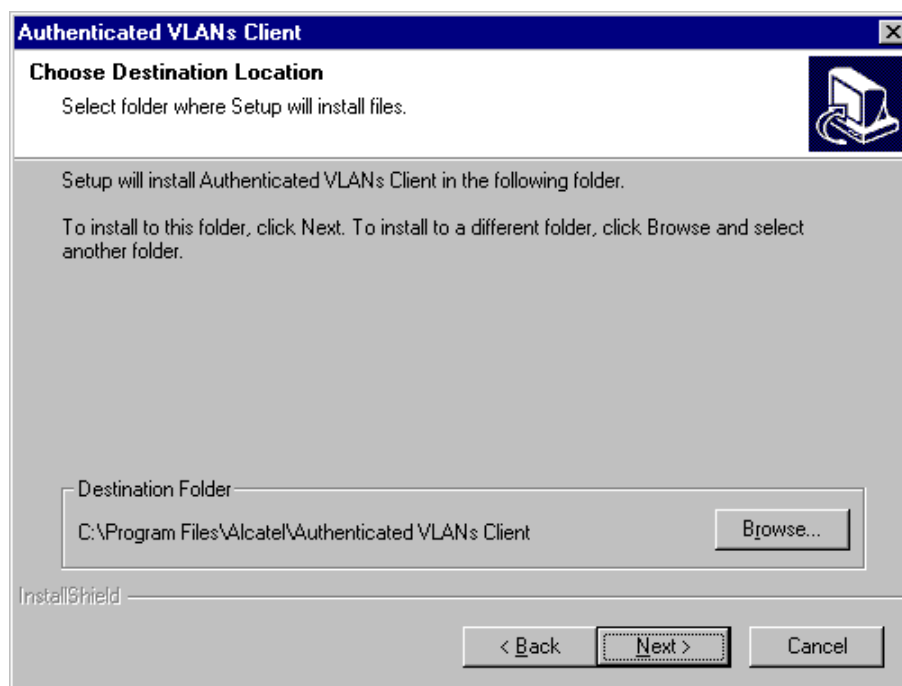
5 This window gives you the option of restarting your PC workstation now, or later. You cannot use the AV-Client until you restart your computer. If you decide to restart now, be sure to remove any disks from their drives. Click the **Finish** button to end the installation procedure.

Windows 95 and Windows 98

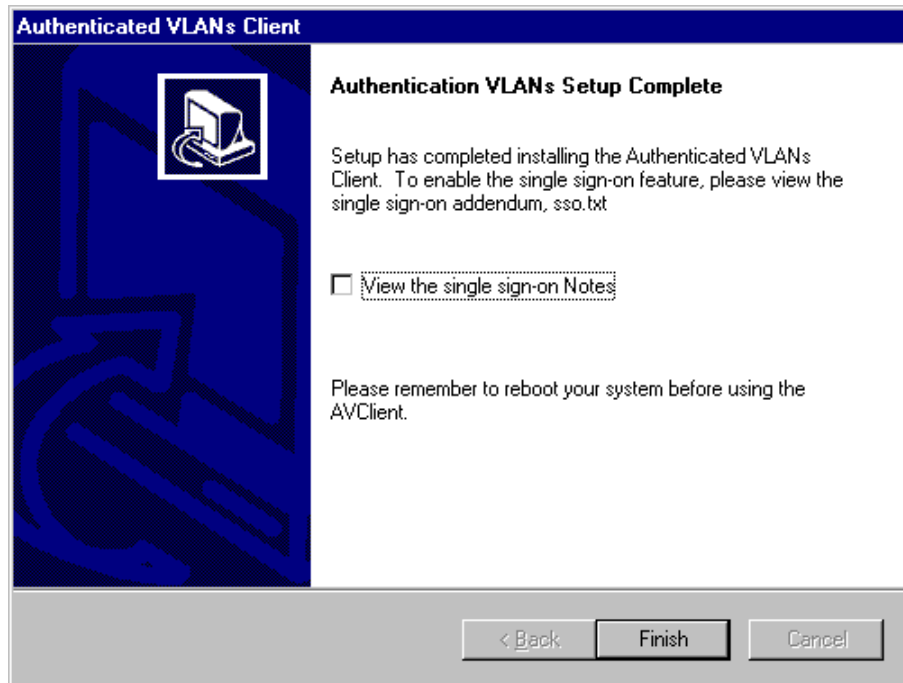
- 1 Download the AV-Client from the Alcatel website onto the Windows desktop.
- 2 Double-click the AV-Client icon. The installation routine begins and the following window displays:



- 3 We recommend that you follow the instructions on the screen regarding closing all Windows programs before proceeding with the installation. Click on the **Next** button. The following window displays:



4 From this window you may install the client at the default destination folder shown on the screen or you may click the **Browse** button to select a different directory. Click on the **Next** button. The software loads, and the following window displays.



5 This window recommends that you read a text file included with the client before you exit the install shield. Click on the box next to "View the single sign-on Notes" to select this option. Click on the **Finish** button to end the installation process. Remember that you must restart your computer before you can run the AV-Client.

Setting the AV-Client as Primary Network Login

Windows 95 and Windows 98

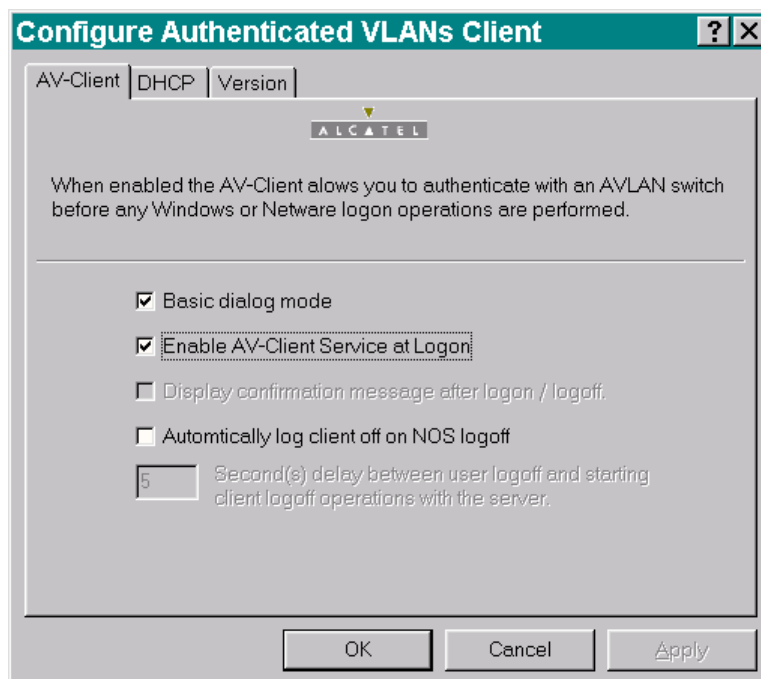
If your operating system is Windows 95 or Windows 98, you must configure the AV-Client as the primary network login. This is done via the Windows Control Panel. From your Windows desktop, select Start > Settings > Control Panel. Double-click on the Network icon on the Control Panel window. From the Configuration Tab, proceed as follows:

- 1 Click the **Add** button.
- 2 Select the “Client” from the list and click the **Add** button. The “Select Network Client Window” displays.
- 3 You can click the **Have Disk** button, enter the correct path for your disk drive in the space provided and click **OK**. You can also browse to the directory where the AV-Client is installed and click **OK**. Select “Alcatel AVLAN Login Provider”.
- 4 Select Alcatel AVLAN Login Provider as the Primary Network Login on the Configuration tab.
- 5 Complete the setup as prompted by Windows.

Note. Make sure to have your Windows 95 or 98 media available during this procedure.

Configuring the AV-Client Utility

The AV-Client includes a utility for configuring client options. To run the utility, install the AV-Client and reboot the PC workstation. From your Windows desktop, select Start > Settings > Control Panel. Double-click on the Authenticated VLANs Client icon in the Control Panel window. You can also access the utility by pointing your mouse to the AV-Client icon on the Windows system tray and executing a right click to select **Settings**. The following screen displays:



Selecting a Dialog Mode

The AV-Client has two dialog modes, basic and extended. In basic dialog mode, the client prompts the user for a username and a password only. In extended mode, which is required for multiple authority authentication, the client login screen also prompts the user for a VLAN number and optional challenge code. These additional authentication parameters are defined when the authentication server is configured in multiple authority mode.

You can set the dialog mode from the AV-Client's Control Panel Window. The basic dialog mode is enabled by default. To enable extended mode, de-select basic mode by clicking "Basic dialog mode." The **Apply** button will activate. Click the **Apply** button. The next time the AV-Client is started extended mode will be enabled.

Enabling/disabling the AV-Client at Startup

- 1** To enable/disable the AV-Client at startup, from your Windows desktop, select Start, Settings, Control Panel to access the AV-Client configuration utility. Select the AV-Client tab.
- 2** Click on the box next to "Enable AV-Client Service at Logon." The check mark in the box will disappear and the **Apply** button will activate.
- 3** To apply the change, click the **Apply** button. When you click the **OK** button, the screen will close, the change will take effect and the AV-Client will be disabled at logon. If you decide not to implement the change, click the **Cancel** button and the screen will close.

Note. If you disable the AV-Client at startup, you can activate VLAN authentication by pointing your mouse to the AV-Client icon on the Windows stem tray and right-clicking to select Logon.

Automatic Client or NOS Logoff

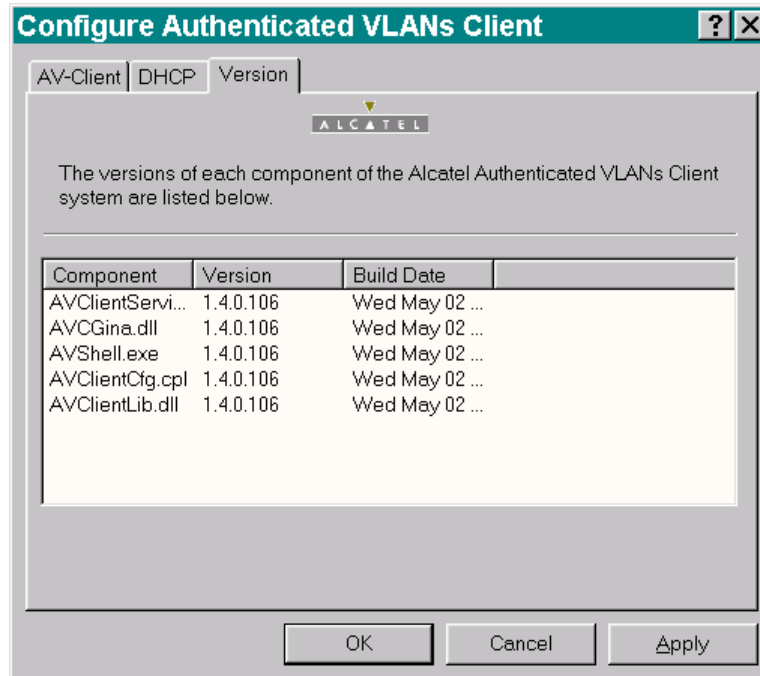
The default configuration of the client is to logoff the authentication client when the user logs off the desktop. You can configure the client so the workstation is automatically logged off when the user logs off.

To set this option, access the AV-Client configuration utility and click the box next to the "Automatically log client off or NOS logoff" option. When the option activates, you then have the option of setting a time delay between the moment the user logs off the workstation and the moment the client logs out of server operations.

Note. If the user reboots the PC workstation, the client's session with the network server is automatically terminated.

Viewing AV-Client Components

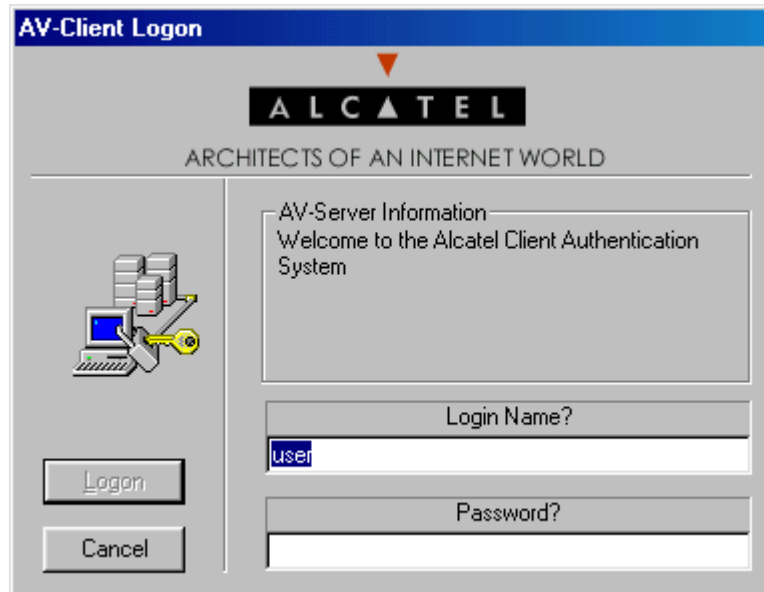
The configuration utility includes a screen that lists each component, version and build date for the AV-Client. To view this screen, click on the Version tab and a screen similar to the following will display.



Logging Into the Network Through an AV-Client

Once the AV-Client software has been loaded on a user's PC workstation, an AV-Client icon will be created on the Windows desktop in the task bar. Follow these steps to log into the authentication network:

- 1 Right click the AV-Client icon and select Logon. The following login screen displays:



- 2 Enter the user name for this device in the "Login Name?" field. This user name is configured on the authentication server.
- 3 Enter the password for this user in the "Password?" field. If the client is set up for basic dialog mode and the user enters the correct password, the user is authenticated. If the client is set up for extended mode, the user will be prompted to enter the VLAN ID and challenge. After all required user information is entered, the following message displays:

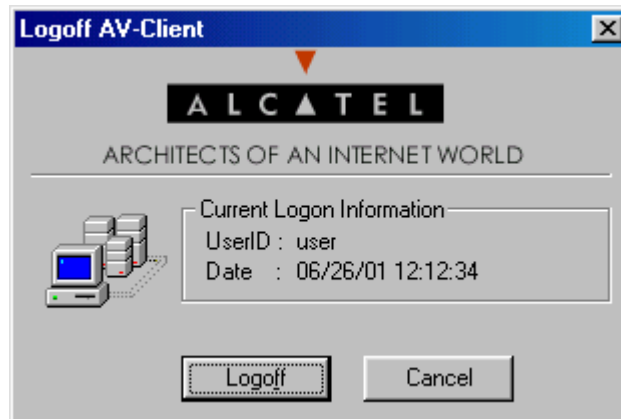
```
User xxxx authenticated by <Authentication Type> authentication
```

The user is now logged into the network and has access to all network resources in the VLAN with which this user shares membership.

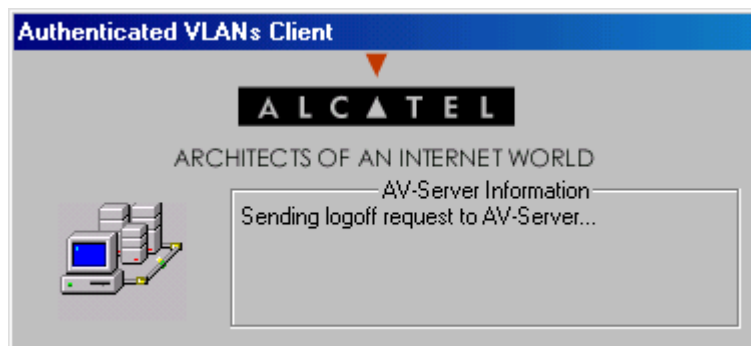
Note. If authentication is successful but an error was made while configuring VLANs, the user station may not move into the VLAN the user requested.

Logging Off the AV-Client

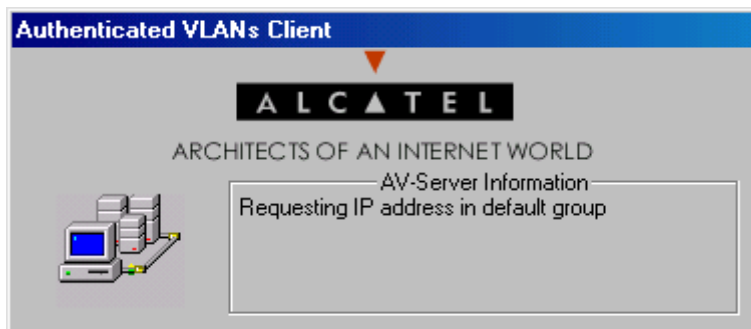
1 To log off the AV-Client, point your mouse to the AV-Client icon in your Windows system tray and execute a right-click to select Logoff. The following screen displays.



2 To continue the procedure, click the **Logoff** button. The following screen indicates that the AV-Client is sending a logoff request to the authentication server.



The next message on the screen indicates that the AV-Client is requesting an IP address in the default VLAN. The client is removed from the authenticated VLAN and placed in the default VLAN.



When the AV-Client is logged into the network, the AV-Client icon on the Windows desktop has a blue background. When the logoff procedure is completed, the screen disappears and the background is gone from the AV-Client icon.

Configuring the AV-Client for DHCP

For an AV-Client, DHCP configuration is not required. AV-Clients do not require an IP address to authenticate, but they may want an IP address for IP communication in an authenticated VLAN.

Note. If the AV-Client will be used with DHCP, the DHCP server must be configured as described in [“Setting Up the DHCP Server” on page 18-29](#).

At startup, an AV-Client user PC workstation will issue a Windows DHCP request if the AV-Client’s DHCP release/renew feature is enabled. This feature is disabled by default. The AV-Client is capable of obtaining an address from the default client VLAN or whatever VLAN it authenticates into if a DHCP server is located in the VLAN.

The DHCP tab of the configuration utility gives you several options for managing DHCP when it is enabled. You also have the option of disabling DHCP operations.

Delay for IP Address Request

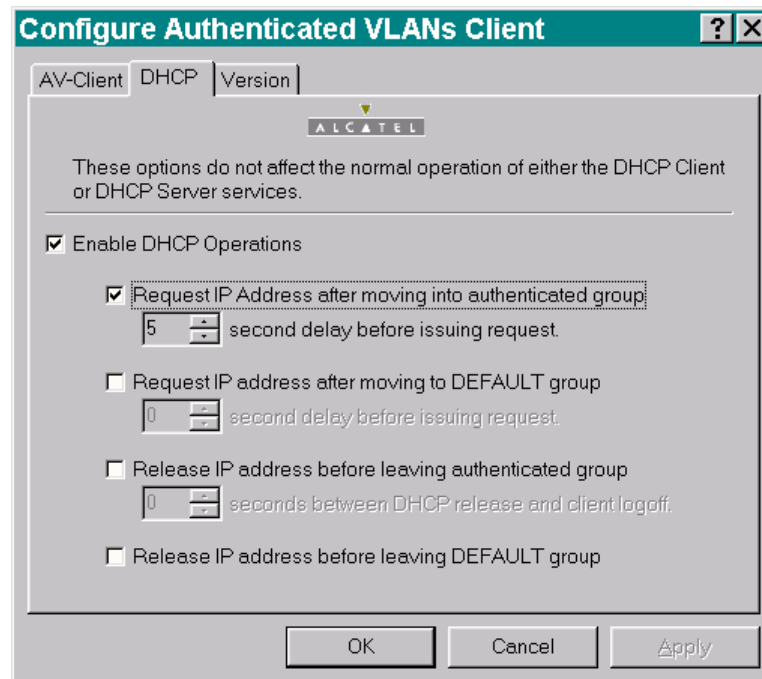
- You can specify a delay between the moment the client workstation moves into an authentication VLAN and the moment a DHCP request is issued for an IP address.
- You can specify a delay between the moment the client workstation moves into the default VLAN and the moment a DHCP request is issued for an IP address.

Releasing the IP Address

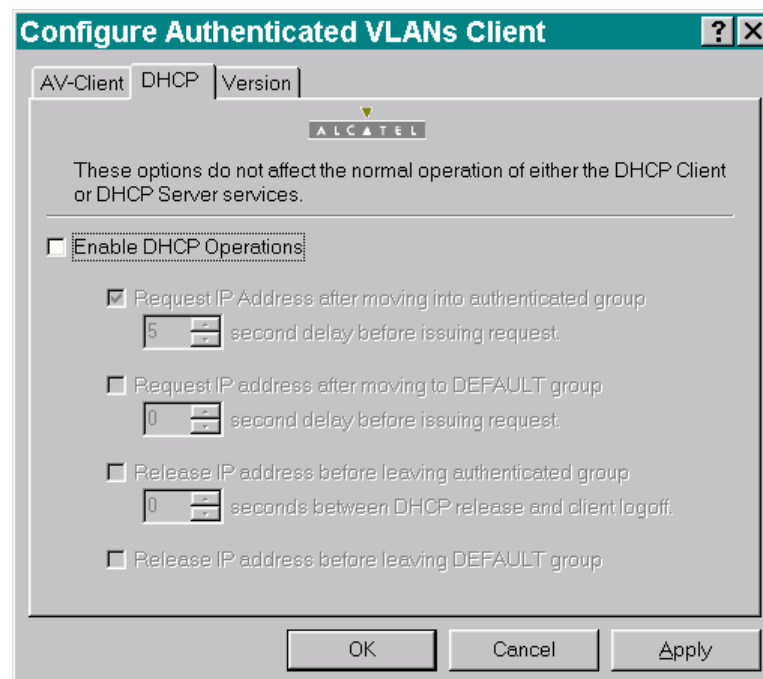
- You can specify a delay between the moment the client workstation logs off the network and the DHCP releases the IP address assigned to the client.
- You can configure the utility so that DHCP releases the IP address before the client workstation leaves the default VLAN.

Note. A delay between DHCP release and client logoff is recommended because the DHCP server’s MAC address may be timed out in the AV-Client’s ARP table. If that is the case, the client must send an ARP packet to discover the DHCP server’s MAC address before it can send the release packet. If the logoff packet is sent to the switch before the release packet gets sent, then the IP address will never be released. Increasing the value of the delay parameter can prevent this from happening.

- 1 To configure the DHCP parameters, access the AV-Client configuration utility and select the DHCP tab. The following screen displays:



- 2 Click the box next to "Enable DHCP Operations". Several options will activate in the utility window as shown in the following screen. When you click on a box next to an option, the option is activated in the configuration window.



- 3 When you click one of the features, an indicator is activated directly below the feature. Specify the number of seconds for the delay for the selected feature.

4 To apply the change, click the **Apply** button. When you click the **OK** button, the screen will close and the change will take effect. If you decide not to implement the change, click the **Cancel** button and the screen will close without implementing a change.

Configuring Authenticated VLANs

At least one authenticated VLAN must be configured on the switch. For more information about VLANs in general, see [Chapter 4, “Configuring VLANs.”](#)

To configure an authenticated VLAN, use the **vlan authentication** command to enable authentication on an existing VLAN. For example:

```
-> vlan 2 authentication enable
```

Note that the specified VLAN (in this case, VLAN 2) must already exist on the switch. A router port must also be configured for the VLAN (with the **vlan router ip** command) so that a DHCP relay may be set up. For example:

```
-> vlan 2 router ip 10.10.2.20
```

See [“Setting Up the DHCP Server” on page 18-29](#) for more information about setting up a DHCP server.

Removing a User From an Authenticated Network

To remove a user from authenticated VLANs, enter the **aaa vlan no** command with the user’s MAC address. If the user’s MAC address is unknown, enter the **show avlan user** command first. Specify the VLAN ID or slot number to get information about a particular VLAN or slot only. For example:

```
-> show avlan user 23
name           Mac Address           Slot   Port   Vlan
-----
user1          00:20:da:05:f6:23     02     02     23
```

In this example, user1 is authenticated into VLAN 23 and is using MAC address 00:20:da:05:f6:23. To remove user1 from authenticated VLAN 23, enter the **aaa vlan no** command with the MAC address. For example:

```
-> aaa avlan no 00:20:da:05:f6:23
```

When this command is entered, user1 will be removed from VLAN 23. If the switch is set up so that authenticated users may traffic in the default VLAN, the user will be placed into the default VLAN of the authentication port. (See [“Setting Up the Default VLAN for Authentication Clients” on page 18-27](#) for information about setting up the switch so that authentication clients may traffic in the default VLAN prior to authentication.)

For more information about the output display for the **aaa avlan no** and **show avlan user** commands, see the *OmniSwitch CLI Reference Guide*.

Note. The MAC addresses of users may also be found in the log files generated by accounting servers.

Configuring Authentication IP Addresses

Authentication clients connect to an IP address on the switch for authentication. (Web browser clients may enter a DNS name rather than the IP address; see [“Setting Up a DNS Path” on page 18-29](#)). When the router port is set up for an authenticated VLAN (through the **vlan router ip** command), the switch automatically sets up an authentication address for that authenticated VLAN based on the router port address. The authentication address uses the same mask as the router port address and includes .253 at the end of the address.

For example, if the router port address for authenticated VLAN 3 is 10.10.2.20, the authentication address will be 10.10.2.253. This address is modifiable through the **avlan auth-ip** command; the address, however, must use the same mask as the router port address. For example:

```
-> avlan auth-ip 3 10.10.2.80
```

This changes the authentication address for VLAN 3 to 10.10.2.80. The authentication IP address is also used for the DNS address (see [“Setting Up a DNS Path” on page 18-29](#)).

To display authentication addresses, use the **show aaa avlan auth-ip** command.

Setting Up the Default VLAN for Authentication Clients

By default, authentication users cannot traffic in the default VLAN prior to authentication; however, the switch may be configured to enable the default VLAN so that users may traffic in the default VLAN prior to authentication.

The default VLAN is the default VLAN for the authentication port, the physical port through which authentication clients are connected to the switch. The authentication port is specified through the **vlan port authenticate** command. See [“Configuring Authenticated Ports” on page 18-28](#).

Use the **avlan default-traffic** command to enable the default VLAN for authentication traffic.

```
-> avlan default-traffic enable
```

When this command is enabled, any authentication client initially belongs to the default VLAN of the authentication port through which the client is connected. After authentication, if a client is removed from an authenticated VLAN through the **aaa avlan no** command, the client is moved to the default VLAN.

To disable any default VLAN for authentication traffic, use the **disable** keyword with the command:

```
-> avlan default-traffic disable
WARNING: Traffic on default vlan is DISABLED.
Existing users on default vlan are not flushed.
```

Users now do not belong to and cannot traffic in the default VLAN prior to authentication. Note that any existing users in the default VLAN are not flushed.

Port Binding and Authenticated VLANs

By default, authenticated VLANs do not support port binding rules. These rules are used for assigning devices to authenticated VLANs when device traffic coming in on an authenticated port matches criteria specified in the rule.

You can globally enable the switch so that port binding rules may be enabled on any authenticated VLAN on the switch.

The port binding rule types that are allowed on authenticated VLANs are as follows:

- MAC-Port-IP address
- MAC-Port

The MAC-port-protocol, MAC-IP address, port-IP address, and Port-Protocol binding rules are not supported on authenticated VLANs. In addition to the above binding rule types, however, a MAC range rule may also be applied to authenticated ports. For more information about port binding and MAC range rules and how to configure them, see [Chapter 7, “Defining VLAN Rules.”](#)

To enable port binding and MAC range rules on authenticated VLANs, use the **avlan port-bound** command with the **enable** keyword.

```
-> avlan port-bound enable
```

This command allows some port binding rules (MAC-Port-IP address, MAC-Port, Port-IP address, and MAC-Port-Protocol) and MAC range rules to be used on any authenticated VLAN.

To disable port binding rules on authenticated VLANs, use the **disable** keyword with the command:

```
-> avlan port-bound disable
```

This command disables port binding rules on all authenticated VLANs.

Configuring Authenticated Ports

At least one mobile port must be configured as the physical port through which authentication clients connect to the switch.

To create a mobile port, use the **vlan port mobile** command.

```
-> vlan port mobile 3/1
```

To enable authentication on the mobile port, use the **vlan port authenticate** command:

```
-> vlan port 3/1 authenticate enable
```

For more information about the configuring VLAN ports, see [Chapter 6, “Assigning Ports to VLANs.”](#)

By default, authentication clients cannot traffic in the default VLAN for the authentication port unless the **avlan default-traffic** command is enabled. See [“Setting Up the Default VLAN for Authentication Clients” on page 18-27.](#)

Setting Up a DNS Path

A Domain Name Server (DNS) name may be configured so that Web browser clients may enter a URL on the browser command line instead of an authentication IP address. A Domain Name Server must be set up in the network for resolving the name to the authentication IP address.

There may be multiple authentication IP addresses on the switch (if multiple authenticated VLANs are set up); however, there is only one authentication DNS path or host name. When the client enters the DNS path, the switch determines the IP authentication address based on the client's IP address, and the browser authentication page is displayed.

Typically the client address is provided by DHCP; DHCP also supplies DNS IP addresses to the client. (The DHCP server must be configured with DNS addresses that correspond to the authenticated VLANs.) See [“Setting Up the DHCP Server” on page 18-29](#) for more information about DHCP and authentication.

For more information about authentication IP addresses, see [“Configuring Authentication IP Addresses” on page 18-27](#).

To configure a DNS path, use the **aaa avlan dns** command. For example:

```
-> aaa avlan dns name auth.company
```

When this command is configured, a Web browser client may enter **auth.company** in the browser command line to initiate the authentication process.

To remove a DNS path from the configuration, use the **no** form of the command. For example:

```
-> no aaa avlan dns
```

The DNS path is removed from the configuration, and Web browser clients must enter the authentication IP address to initiate the authentication process.

Setting Up the DHCP Server

DHCP is a convenient way to assign IP addresses to an authentication client. DHCP will also serve DNS IP addresses to clients.

There may be one DHCP server that serves all authenticated VLANs or a DHCP server for each authenticated VLAN. The DHCP server may be located in the default VLAN, an authenticated VLAN, or both. Typically a DHCP server is located in an authenticated VLAN. Each server must be configured with IP addresses corresponding to the authenticated VLANs for which it will serve addresses.

A DHCP relay must be set up if authentication clients and the DHCP server are located in different VLANs, or if authentication clients do not belong to any VLAN. Telnet and Web browser authentication clients require IP addresses prior to authentication as well as after authenticating. The relay may be used to serve IP addresses both before and after authentication.

Note. For more information about configuring DHCP relay in general, see [Chapter 15, “Configuring DHCP Relay.”](#)

Before Authentication

Normally, authentication clients cannot traffic in the default VLAN, so authentication clients do not belong to any VLAN when they connect to the switch. Even if DHCP relay is enabled, the DHCP discovery process cannot take place. To address this issue, a DHCP gateway address must be configured so that the DHCP relay “knows” which router port address to use for serving initial IP addresses. (See [“Configuring a DHCP Gateway for the Relay” on page 18-31](#) for information about configuring the gateway address.)

Note. The switch may be set up so that authentication clients will belong to the default VLAN prior to authentication (see [“Setting Up the Default VLAN for Authentication Clients” on page 18-27](#)). If a DHCP server is located in the default VLAN, clients may obtain initial IP addresses from this server without using a relay. However, the DHCP server is typically not located in a default VLAN because it is more difficult to manage from an authenticated part of the network.

After Authentication

When the client authenticates, the client is moved into the allowed VLAN based on VLAN information sent from an authentication server (single mode authority) or based on VLAN information configured directly on the switch (multiple mode authority).

For information about authentication server authority modes, see [“Configuring the Server Authority Mode” on page 18-32](#).

After authentication a client may be moved into a VLAN in which the client’s current IP address does not correspond. This will happen if the DHCP gateway address for assigning initial IP addresses is the router port of an authenticated VLAN to which the client does not belong. (See [“Configuring a DHCP Gateway for the Relay” on page 18-31](#).)

In this case, clients will send DHCP release/renew requests to get an address in the authenticated VLAN to which they have access; DHCP relay must be enabled so that the request can be forwarded to the appropriate VLAN.

Note. Telnet clients typically require manual configuration for IP address release/renew. Web browser clients will initiate their release/renew process automatically.

Enabling DHCP Relay for Authentication Clients

To enable DHCP relay, specify the DHCP server with the **ip helper address** command.

```
-> ip helper address 10.10.2.3
```

DHCP is automatically enabled on the switch whenever a DHCP server address is defined. For more information about using the **ip helper address** command, see [Chapter 15, “Configuring DHCP Relay.”](#)

If multiple DHCP servers are used, one IP address must be configured for each server. The default VLAN DHCP gateway must also be specified so that Telnet and Web browser clients can obtain IP addresses prior to authentication. See the next section for more information.

If you want to specify that the relay only be used for packets coming in on an authenticated port, enter the **ip helper avlan only** command.

```
-> ip helper avlan only
```

When this command is specified, the switch will act as a relay for authentication DHCP packets only; non-authentication DHCP packets will not be relayed. For more information about using the **ip helper avlan only** command, see [Chapter 15, “Configuring DHCP Relay.”](#)

Configuring a DHCP Gateway for the Relay

The default authenticated VLAN DHCP gateway must also be configured through the **aaa avlan default dhcp** command so that Telnet and Web browser clients can obtain IP addresses prior to authentication. This gateway is a router port in any of the authenticated VLANs in the network. It specifies the scope into which an authentication client receives an initial IP address. For example:

```
-> aaa avlan default dhcp 192.10.10.22
```

Telnet and Web browser clients will initially receive an IP address in this scope. (After authentication, these clients may require a new IP address if they do not belong to the VLAN associated with this gateway address.)

To remove a gateway address from the configuration, use the **no** form of the **aaa avlan default dhcp** command. For example:

```
-> no aaa avlan default dhcp
```

Configuring the Server Authority Mode

Authentication servers for Layer 2 authentication are configured in one of two modes: single authority or multiple authority. Single authority mode uses a single list of servers (one primary server and up to three backups) to poll with authentication requests. Multiple authority mode uses multiple lists of servers and backups, one list for each authenticated VLAN.

Note. Only one mode is valid on the switch at one time.

At least one server must be configured in either mode. Up to three backup servers total may be specified. The CLI commands required for specifying the servers are as follows:

aaa authentication vlan single-mode
aaa authentication vlan multiple-mode

Note. Each RADIUS and LDAP server may each have an additional backup host of the same type configured through the **aaa radius-server** and **aaa ldap-server** commands.

In addition, the **aaa accounting vlan** command may be used to set up an accounting server or servers to keep track of user session statistics. Setting up servers for accounting is described in “[Specifying Accounting Servers](#)” on page 18-35.

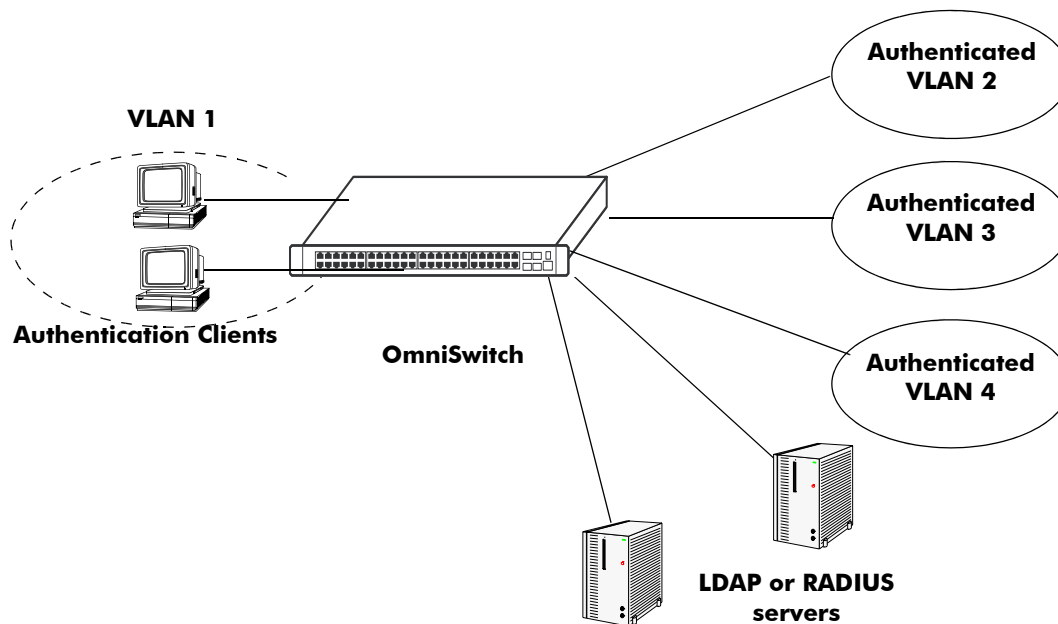
Configuring Single Mode

This mode should be used when all authenticated VLANs on the switch are using a single authentication server (with optional backups) configured with VLAN information. When this mode is configured, a client is authenticated into a particular VLAN or VLANs. (For the client to be authenticated into multiple VLANs, each VLAN must be configured for a different protocol.)

When a client first makes a connection to the switch, the agent in the switch polls the authentication server for a match with a client’s user name and password. If the authentication server is down, the first backup server is polled. The switch uses the first available server to attempt to authenticate the user. (If a match is not found on that server, the authentication attempt fails. The switch does not try the next server in the list.)

If a match is found on the first available server, the authentication server sends a message to the agent in the switch that includes the VLAN IDs to which the client is allowed access. The agent then moves the MAC address of the client out of the default VLAN and into the appropriate authenticated VLAN(s).

In the illustration shown here, the Ethernet clients connect to the switch and initially belong to VLAN 1. Additional VLANs have been configured as authenticated VLANs. LDAP and RADIUS servers are configured with VLAN ID information for the clients.



Authentication Network—Single Mode

To configure authentication in single mode, use the **aaa authentication vlan** command with the **single-mode** keyword and name(s) of the relevant server and any backups.. At least one server must be specified; the maximum is four servers. For example:

```
-> aaa authentication vlan single-mode ldap1 ldap2
```

In this example, authenticated VLANs are enabled on the switch in single mode. All authenticated VLANs on the switch will use **ldap1** to attempt to authenticate users. If **ldap1** becomes unavailable, the switch will use backup server **ldap2**. Both servers contain user information, including which VLANs users may be authenticated through. (The servers must have been previously set up with the **aaa ldap-server** command. For more information about setting up authentication servers, see [Chapter 17, “Managing Authentication Servers.”](#))

To disable authenticated VLANs, use the **no** form of the command. Note that the mode does not have to be specified. For example:

```
-> no aaa authentication vlan
```

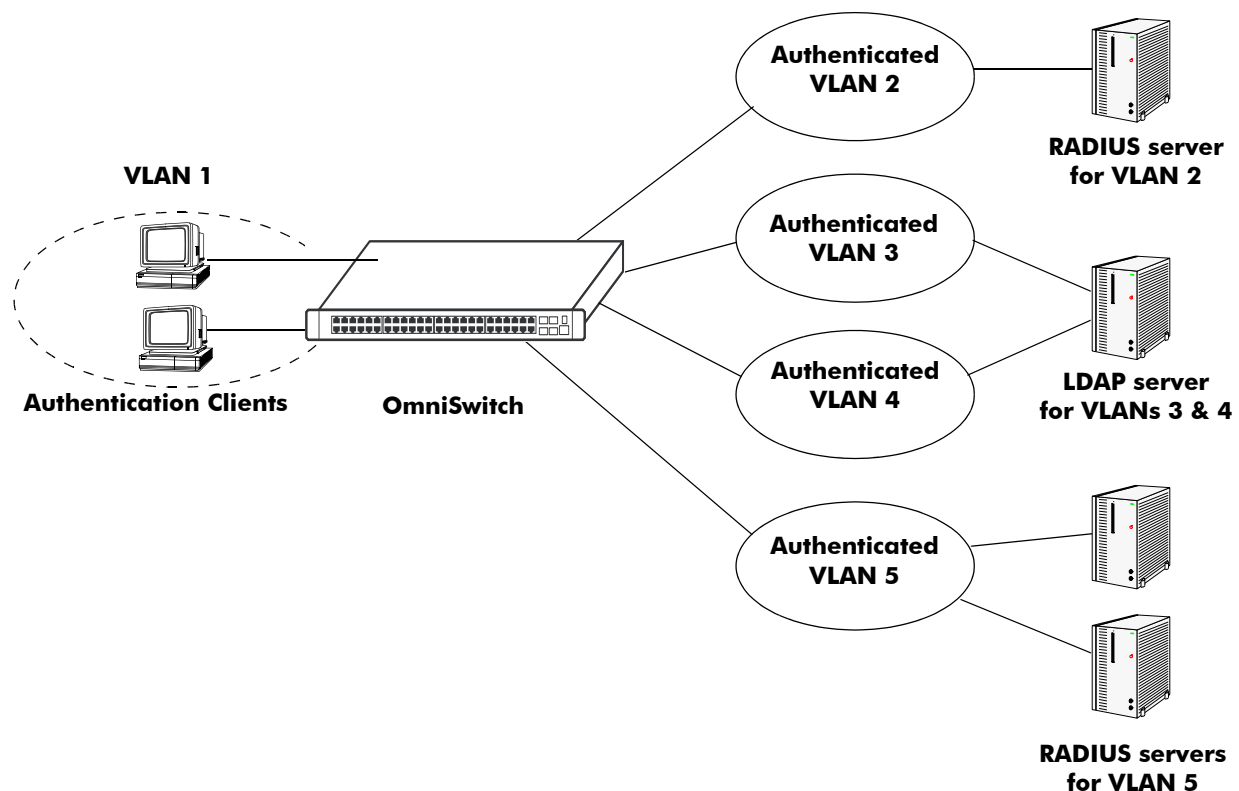
Configuring Multiple Mode

Multiple authority mode associates different servers with particular VLANs. This mode is typically used when one party is providing the network and another is providing the server.

When this mode is configured, a client is first prompted to select a VLAN. After the VLAN is selected, the client then enters a user name and password. The server configured for that particular authenticated VLAN is polled for a match. (If the server is unavailable, the switch polls the first backup server, if one is configured.) If a match is not found on the first available server, the authentication attempt fails. If a match is found, the client's MAC address is moved into that VLAN.

A server in multiple authority mode does not have to be configured with VLAN information. If the same server services more than one VLAN, the same user ID and password may be used to authenticate into one of several VLANs, depending on which VLAN the user selects at authentication. Clients are only able to authenticate into one VLAN at a time. (In single authority mode, clients can authenticate into more than one VLAN at a time if each VLAN is configured for a different protocol.)

In the illustration shown here, the clients connect to the switch and initially belong to VLAN 1. VLANs 2, 3, 4, and 5 have been configured as authenticated VLANs. A single RADIUS server is associated with VLAN 2, a primary and a backup server are associated with VLAN 5; these servers are not configured with VLAN information because each server is only serving one VLAN. However, a single LDAP server is associated with VLAN 3 and VLAN 4 and must contain VLAN information.



Authentication Network—Multiple Mode

To configure authentication in multiple mode, use the **aaa authentication vlan** command with the **multiple-mode** keyword, the relevant VLAN ID, and the names of the servers. The VLAN ID is required, and at least one server must be specified (a maximum of four servers is allowed per VLAN). For example:

```
-> aaa authentication vlan multiple-mode 2 rad1
-> aaa authentication vlan multiple-mode 3 ldap1
-> aaa authentication vlan multiple-mode 4 ldap1
-> aaa authentication vlan multiple-mode 5 ldap2 ldap3
```

To disable authenticated VLANs in multiple mode, use the **no** form of the command and specify the relevant VLAN. Note that the mode does not have to be specified. For example:

```
-> no aaa authentication vlan 2
```

This command disables authentication on VLAN 2. VLANs 3, 4, and 5 are still enabled for authentication.

Specifying Accounting Servers

RADIUS and LDAP servers can also keep track of statistics for user authentication sessions. To specify servers to be used for accounting, use the **aaa accounting vlan** command with the relevant accounting server names. (Accounting servers are configured with the **aaa ldap-server** and **aaa radius-server** commands, which are described in [Chapter 17, “Managing Authentication Servers.”](#)) Up to four accounting servers may be specified. For example:

```
-> aaa accounting vlan rad1 ldap2
```

In this example, a RADIUS server (**rad1**) is used for all accounting of authenticated VLANs; an LDAP server (**ldap2**) is specified as a backup accounting server.

If the switch is configured for multiple authority mode, the VLAN ID must be specified. In multiple mode, a different accounting server (with backups) may be specified for each VLAN. For example:

```
-> aaa accounting vlan 3 rad1 rad2 ldap1
-> aaa accounting vlan 4 ldap2 ldap3
```

In this example, **rad1** is configured as an accounting server for VLAN 3; **rad2** and **ldap1** are backups that are only used if the previous server in the list goes down. An LDAP server (**ldap2**) is configured for accounting in VLAN 4; the backup server for VLAN 4 is **ldap3**.

If an external server is not specified with the command, a VLAN user session information will be logged in the local switch log. For information about switch logging, see [Chapter 25, “Using Switch Logging.”](#) In addition, the keyword **local** may be used so that logging will be done on the switch if the external server or servers become unavailable. If **local** is specified, it must be specified last in the list of servers.

In the following example, single-mode authentication is already set up on the switch, the **aaa accounting vlan** command configures a RADIUS server (**rad1**) for accounting. The local logging feature in the switch (**local**) is the backup accounting mechanism.

```
-> aaa accounting vlan rad1 local
```

Verifying the AVLAN Configuration

To verify the authenticated VLAN configuration, use the following **show** commands:

show aaa authentication vlan	Displays information about authenticated VLANs and the server configuration.
show aaa accounting vlan	Displays information about accounting servers configured for Authenticated VLANs.
show avlan user	Displays MAC addresses for authenticated VLAN users on the switch.
show aaa avlan config	Displays the current global configuration for authenticated VLANs.
show aaa avlan auth-ip	Displays the IP addresses for authenticated VLANs.

For more information about these commands, see the *OmniSwitch CLI Reference Guide*.

19 Configuring 802.1X

Physical devices attached to a LAN port on the switch through a point-to-point LAN connection may be authenticated through the switch through port-based network access control. This control is available through the IEEE 802.1X standard implemented on the switch.

In This Chapter

This chapter describes 802.1X ports used for port-based access control and how to configure them through the Command Line Interface (CLI). CLI commands are used in the configuration examples; for more details about the syntax of commands, see the *OmniSwitch CLI Reference Guide*.

This chapter provides an overview of 802.1X and includes the following information:

- [“Setting Up Port-Based Network Access Control” on page 19-8](#)
- [“Enabling 802.1X on Ports” on page 19-8](#)
- [“Setting 802.1X Switch Parameters” on page 19-8](#)
- [“Configuring 802.1X Port Parameters” on page 19-9](#)
- [“Verifying the 802.1X Port Configuration” on page 19-11](#)

802.1X Specifications

RFCs Supported	RFC 2284–PPP Extensible Authentication Protocol (EAP) RFC 2865–Remote Authentication Dial In User Service (RADIUS) RFC 2866–RADIUS Accounting RFC 2867–RADIUS Accounting Modifications for Tunnel Protocol Support RFC 2868–RADIUS Attributes for Tunnel Protocol Support RFC 2869–RADIUS Extensions
IEEE Standards Supported	IEEE 802.1X-2001–Standard for Port-based Network Access Control 802.1X RADIUS Usage Guidelines

802.1X Defaults

The following table lists the defaults for 802.1X port configuration configuration through the [802.1x](#) command and the relevant command keywords:

Description	Keyword	Default
Port control in both directions or incoming only.	direction {both in}	both
Port control authorized on the port.	port control {force-authorized force-unauthorized auto}	auto
The time during which the port will not accept an 802.1X authentication attempt.	quiet-period	60 seconds
The time before an EAPOL Request Identity will be re-transmitted.	tx-period	30 seconds
Number of seconds before the switch will time out an 802.1X user who is attempting to authenticate.	supp-timeout	30 seconds
Maximum number of times the switch will retransmit an authentication request before it times out.	max-req	2
Amount of time that must expire before a re-authentication attempt is made.	re-authperiod	3600 seconds
Whether or not the port is re-authenticated.	no reauthentication reauthentication	no reauthentication

The following table shows the default for authenticating 802.1X ports through the **aaa authentication 802.1x** command:

Description	Keyword	Default
Whether any traffic will be allowed or restricted after authenticating the 802.1X port	open-unique open-global	open-unique

Note. By default, accounting is disabled for 802.1X authentication sessions.

Quick Steps for Configuring 802.1X

- 1 Configure the port as a mobile port and an 802.1X port using the following **vlan port** commands:

```
-> vlan port mobile 3/1
-> vlan port 3/1 802.1x enable
```

The port is set up automatically with 802.1X defaults. See “[802.1X Defaults](#)” on page 19-2 for information about the defaults. For more information about **vlan port** commands, see [Chapter 6, “Assigning Ports to VLANs.”](#)

- 2 Configure the RADIUS server to used for port authentication.

```
-> aaa radius-server rad1 host 10.10.2.1 timeout 25
```

See [Chapter 17, “Managing Authentication Servers,”](#) for more information about configuring RADIUS authentication servers for 802.1X authentication.

Note. If 802.1X users will be authenticating into an authenticated VLAN, the VLAN must be configured with the **vlan authentication** command. For information about configuring VLANs with authentication, see [Chapter 4, “Configuring VLANs.”](#)

- 3 Associate the RADIUS server (or servers) with authentication for 802.1X ports.

```
-> aaa authentication 802.1x rad1
```

- 4 (Optional) Associate the server (or servers) to be used for accounting (logging) 802.1X sessions. For example:

```
-> aaa accounting 802.1x rad2 ldap3 local
```

- 5 (Optional) Configure port-access control parameters for the 802.1X port using the **802.1x** command.

```
-> 802.1x 3/1 quiet-period 45 max-req 3
```

Note. Verify the 802.1X port configuration using the **show 802.1x** command:

```
-> show 802.1x 3/1
show 802.1x slot/port=3/1

  authenticator PAE state      = CONNECTING
  backend authenticator state = IDLE
  direction                  = both
  operational directions      = both
  port-control                = auto
  port status                  = Unauthorized
  quiet-period (seconds)      = 60
  tx-period (seconds)         = 3600
  supp-timeout (seconds)      = 30
  server-timeout (seconds)    = 30
  max-req                      = 2
  re-authperiod (seconds)     = 3600
  reauthentication            = no
```

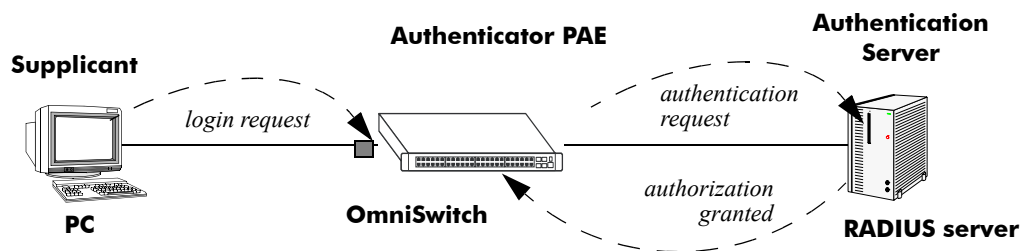
See the *OmniSwitch CLI Reference Guide* for information about the fields in this display.

802.1X Overview

The 802.1X standard defines port-based network access controls, and provides the structure for authenticating physical devices attached to a LAN. It uses the Extensible Authentication Protocol over LAN (EAPOL).

There are three components for 802.1X:

- **The Supplicant**—This is the device connected to the switch. The device may be connected directly to the switch or via a point-to-point LAN segment. Typically the supplicant is a PC or laptop.
- **The Authenticator Port Access Entity (PAE)**—This entity requires authentication from the supplicant. The authenticator is connected to the supplicant directly or via a point-to-point LAN segment. The OmniSwitch acts as the authenticator.
- **The Authentication Server**—This component provides the authentication service and verifies the credentials (username, password, challenge, etc.) of the supplicant. On the OmniSwitch, only RADIUS servers are currently supported for 802.1X authentication.



802.1X Components

Note. The OmniSwitch itself cannot be an 802.1X supplicant.

802.1X Port Behavior

Before any device is authenticated through an 802.1X port, the port is blocked. The port will only accept 802.1X frames (EAPoL frames).

When an 802.1X frame is received from a supplicant, the switch sends an EAP packet to request the supplicant's identity. The supplicant then sends the information (an EAP response), which is validated on an authentication server set up for authenticating 802.1X ports. The server determines whether additional information (a challenge, or secret) is required from the supplicant.

After the supplicant is successfully authenticated, the port is open only for the supplicant MAC address or for any MAC address, depending on the global 802.1X configuration. The global configuration is controlled by the `aaa authentication 802.1x` command. The keyword **open-unique** specifies that only frames from the supplicant's MAC address will be allowed on the port after the supplicant is authenticated. The keyword **open-global** specifies that any frames will be allowed on the port after the supplicant is authenticated. (The **open-unique** state is the default). See [“Setting 802.1X Switch Parameters” on page 19-8](#) for more information about configuring this command.

Using the **802.1x** command, an administrator may force an 802.1X port to always accept any frames on the port (therefore not requiring a device to first authenticate on the port); or an administrator may force the port to never accept any frames on the port. See [“Configuring the Port Authorization” on page 19-9](#).

Note that there cannot be more than one supplicant authenticated on a given 802.1X port. Any 802.1X frames from a MAC address different from the supplicant will be dropped, even if the **aaa authentication 802.1x** command is configured for **open-global**.

802.1X Ports and DHCP

DHCP requests on an 802.1X port are treated as any other traffic on the 802.1X port.

When the port is in an unauthorized state (which means no device has authenticated on the port), or a forced unauthorized state (the port is manually set to unauthorized), the port is blocked from receiving any traffic except 802.1X packets. This means DHCP requests will be blocked as well.

If the port is in a forced authorized state (manually set to authorized), any traffic, including DHCP, is allowed on the port.

If the port is in an authorized state because a device has authenticated on the port, the type of traffic allowed on the port depends on the global 802.1X setting:

- If the switch is set to open-global, all traffic is allowed on the port.
- If the switch is set to open-unique, only traffic with the authenticated MAC address is allowed on the port. DHCP requests from the authenticated MAC address are allowed; any others are blocked.

Re-authentication

After a supplicant has successfully authenticated through an 802.1X port, the switch may be configured to periodically re-authenticate the supplicant (re-authentication is disabled by default). In addition, the supplicant may be manually re-authenticated (see [“Re-authenticating an 802.1X Port” on page 19-10](#)).

The re-authentication process is transparent to a user connected to the authorized port. The process is used for security and allows the authenticator (the OmniSwitch) to maintain the 802.1X connection.

Note. If the MAC address of the supplicant has aged out during the authentication session, the 802.1X software in the switch will alert the source learning software in the switch to re-learn the address.

802.1X ports may also be initialized if there a problem on the port. Initializing a port drops connectivity to the port and requires the port to be re-authenticated. See [“Initializing an 802.1X Port” on page 19-11](#).

802.1X Accounting

802.1X authentication sessions may be logged if servers are set up for 802.1X accounting. Accounting may also be done through the local Switch Logging feature. For information about setting up accounting for 802.1X, see [“Configuring Accounting for 802.1X” on page 19-11](#).

Compared to Authenticated VLANs

A given port cannot be both a VLAN-authenticated port and an 802.1X port. An 802.1X user, however, may be authenticated and moved into an authenticated VLAN if the RADIUS authentication server specifies a VLAN for that user and the authenticated VLAN is set up on the switch through the **vlan authentication** command. For information about configuring VLANs with authentication, see [Chapter 4, “Configuring VLANs.”](#)

Both 802.1X and authenticated VLANs may use the same RADIUS authentication server. See [Chapter 17, “Managing Authentication Servers,”](#) for information about using a RADIUS server for authentication.

Setting Up Port-Based Network Access Control

For port-based network access control, the switch must know which servers to use for authenticating 802.1X supplicants and how to treat traffic coming in on 802.1X ports. These are global parameters.

In addition, 802.1X must be enabled on each port that is connected to an 802.1X supplicant (or device). Optional parameters may be set for each 802.1X port.

The following sections describe these procedures in detail.

Setting 802.1X Switch Parameters

Use the **aaa authentication 802.1x** command to specify an authentication server (or servers) to be used for authenticating 802.1X ports. The servers must already be configured through the **aaa radius-server** command. An example of specifying authentication servers for authenticating all 802.1X ports on the switch:

```
-> aaa authentication 802.1x rad1 rad2
```

In this example, the **rad1** server will be used for authenticating 802.1X ports. If **rad1** becomes unavailable, the switch will use **rad2** for 802.1X authentication.

After a device authenticates on the 802.1X port, the switch will allow only traffic coming from the authenticated device's MAC address or it may be configured to allow any traffic through the port after authentication. The keyword **open-unique** indicates that only traffic from the authenticated device's MAC address is allowed; the keyword **open-global** indicates that any traffic may pass through the port after a device has authenticated on the port. The default is **open-unique**.

To configure the global port behavior, specify the desired keyword with the **aaa authentication 802.1x** command. Note that you may specify the port behavior and the authentication server on the same command line:

```
-> aaa authentication 802.1x open-global rad1 rad2
```

In this example, any traffic coming into the switch on an 802.1X port will be permitted after any device is successfully authenticated through the 802.1X port.

Note. The open-unique and open-global states are only applied to 802.1X ports that have automatic port control (this is the default). See [“Configuring the Port Authorization” on page 19-9](#) for information about configuring port control on a particular port.

Enabling 802.1X on Ports

To enable 802.1X on a port, use the **vlan port 802.1x** command. The port must also be configured as a mobile port.

```
-> vlan port mobile 3/1
-> vlan port 3/1 802.1x enable
```

The **vlan port 802.1x** command enables 802.1X on port 1 of slot 3. The port will be set up with defaults listed in [“802.1X Defaults” on page 19-2](#).

To disable 802.1X on a port, use the **disable** option with **vlan port 802.1x** command. For more information about **vlan port** commands, See [Chapter 6, “Assigning Ports to VLANs.”](#)

Configuring 802.1X Port Parameters

By default, when 802.1X is enabled on a port, the port is configured for bidirectional control, automatic authorization, and re-authentication. In addition, there are several timeout values that are set by default as well as a maximum number of times the switch will retransmit an authentication request to the user.

All of these parameters may be configured on the same command line but are shown here configured separately for simplicity.

Configuring the Port Control Direction

To configure the port control direction, use the **802.1x** command with the **direction** keyword with **both** for bidirectional or **in** for incoming traffic only. For example:

```
-> 802.1x 3/1 direction in
```

In this example, the port control direction is set to incoming traffic only on port 1 of slot 3.

The type of port control (or authorization) is configured with the **port-control** parameter described in the next section.

Configuring the Port Authorization

Port authorization determines whether the port is open to all traffic, closed to all traffic, or open to traffic after the port is authenticated. To configure the port authorization, use the **802.1x** command with the **port-control** keyword and the **force-authorized**, **force-unauthorized**, or **auto** option.

```
-> 802.1x 3/1 port-control force-authorized
```

In this example, the port control on port 1 of slot 3 is always authorized for any traffic.

The **auto** option configures the port to be open for traffic based on the **open-unique** or **open-global** setting of the **aaa authentication 802.1x** command. See [“Setting 802.1X Switch Parameters” on page 19-8](#) for more information about configuring these options.

Configuring 802.1X Port Timeouts

There are several timeouts that may be modified per port:

- Quiet timeout—The time during which the port will not accept an 802.1X authentication attempt after an authentication failure.
- Transmit timeout—The time before an EAP Request Identity message will be re-transmitted.
- Supplicant (or user) timeout—The time before the switch will timeout an 802.1X user who is attempting to authenticate. During the authentication attempt, the switch sends requests for authentication information (identity requests, challenge response, etc.) to the supplicant (see [“Configuring the Maximum Number of Requests” on page 19-10](#)). If the supplicant does not reply to these requests, the supplicant is timed out when the timeout expires.

To modify the quiet timeout, use the **802.1x** command with the **quiet-period** keyword. To modify the transmit timeout, use the **802.1x** command with the **tx-period** keyword. To modify the supplicant or user timeout, use the **802.1x** command with the **supp-timeout** keyword. For example:

```
-> 802.1x 3/1 quiet-period 50 tx-period 25 supp-timeout 25
```

This command changes the quiet timeout to 50 seconds; the transmit timeout to 25 seconds; and the user timeout to 25 seconds.

Note. The authentication server timeout may also be configured (with the **server-timeout** keyword) but the value is always superseded by the value set for the RADIUS server through the **aaa radius-server** command.

Configuring the Maximum Number of Requests

During the authentication process, the switch sends requests for authentication information from the supplicant. By default, the switch will send up to two requests for information. If the supplicant does not reply within the timeout value configured for the supplicant timeout, the authentication session attempt will expire. The switch will then use its quiet timeout and transmit timeout before accepting an authentication attempt or sending out an identity request.

To change the maximum number of requests sent to the supplicant during an authentication attempt, use the **max-req** keyword with the **802.1x** command. For example:

```
-> 802.1x 3/1 max-req 3
```

In this example, the maximum number of requests that will be sent is three.

Re-authenticating an 802.1X Port

An automatic re-authentication process may be enabled or disabled on any 802.1X port. The re-authentication is used to maintain the 802.1X connection (not to re-authenticate the user). The process is transparent to the 802.1X supplicant. By default, re-authentication is not enabled on the port.

To enable or disable re-authentication, use the **reauthentication** or **no reauthentication** keywords with the **802.1x** command. For example:

```
-> 802.1x 3/1 reauthentication
```

In this example, re-authentication will periodically take place on port 1 of slot 3.

The **re-authperiod** parameter may be used to configure the time that must expire before automatic re-authentication attempts. For example:

```
-> 802.1x 3/1 reauthentication re-authperiod 25
```

In this example, automatic re-authentication is enabled, and re-authentication will take place on the port every 25 seconds.

To manually re-authenticate a port, use the **802.1x re-authenticate** command. For example:

```
-> 802.1x re-authentication 3/1
```

This command initiates a re-authentication process for port 1 on slot 3.

Initializing an 802.1X Port

An 802.1X port may be reinitialized. This is useful if there is a problem on the port. The reinitialization process drops connectivity with the supplicant and forces the supplicant to be re-authenticated. Connectivity is restored with successful re-authentication. To force an initialization, use the **802.1x initialize** command with the relevant slot/port number. For example:

```
-> 802.1x initialize 3/1
```

This command drops connectivity on port 1 of slot 3. The switch sends out a Request Identity message and restores connectivity when the port is successfully re-authenticated.

Configuring Accounting for 802.1X

To log 802.1X sessions, use the **aaa accounting 802.1x** command with the desired RADIUS server names; use the keyword **local** to specify that the Switch Logging function in the switch should be used to log 802.1X sessions. RADIUS servers are configured with the **aaa radius-server** command.

```
-> aaa accounting 802.1x rad1 local
```

In this example, the RADIUS server **rad1** will be used for accounting. If **rad1** becomes unavailable, the local Switch Logging function in the switch will log 802.1X sessions. For more information about Switch Logging, see [Chapter 25, "Using Switch Logging."](#)

Verifying the 802.1X Port Configuration

A summary of the **show** commands used for verifying the 802.1X port configuration is given here:

show 802.1x	Displays information about ports configured for 802.1X.
show 802.1x statistics	Displays statistics about 802.1X ports.
show aaa authentication 802.1x	Displays information about the global 802.1X configuration on the switch.
show aaa accounting 802.1x	Displays information about accounting servers configured for 802.1X port-based network access control.

For more information about the displays that result from these commands, see the *OmniSwitch CLI Reference Guide*.

20 Managing Policy Servers

Quality of Service (QoS) policies that are configured through Alcatel's PolicyView network management application are stored on a Lightweight Directory Access Protocol (LDAP) server. PolicyView is an OmniVista application that runs on an attached workstation.

In This Chapter

This chapter describes how LDAP directory servers are used with the switch for policy management. There is no required configuration on the switch. When policies are created on the directory server through PolicyView, the PolicyView application automatically configures the switch to communicate with the server. This chapter includes information about modifying configuration parameters through the Command Line Interface (CLI) if manual reconfiguration is necessary. For more details about the syntax of commands, see the *OmniSwitch CLI Reference Guide*.

Throughout this chapter the term *policy server* is used to refer to LDAP directory servers used to store policies. Procedures described in this chapter include:

- [“Installing the LDAP Policy Server” on page 20-3](#)
- [“Modifying Policy Servers” on page 20-4](#)
- [“Verifying the Policy Server Configuration” on page 20-7](#)

Policy Server Specifications

The following tables lists important information about LDAP policy servers:

LDAP Policy Servers	RFC 2251—Lightweight Directory Access Protocol (v3)
RFCs Supported	RFC 3060—Policy Core Information Model—Version 1 Specification
Maximum number of policy servers (supported on the switch)	4
Maximum number of policy servers (supported by PolicyView)	1

Policy Server Defaults

Defaults for the **policy server** command are as follows:

Description	Keyword	Default
The port number for the server	port	389 (SSL disabled) 636 (SSL enabled)
Priority value assigned to a server, used to determine search order	preference	0 (lowest)
Whether a Secure Socket Layer is configured for the server	ssl no ssl	no ssl

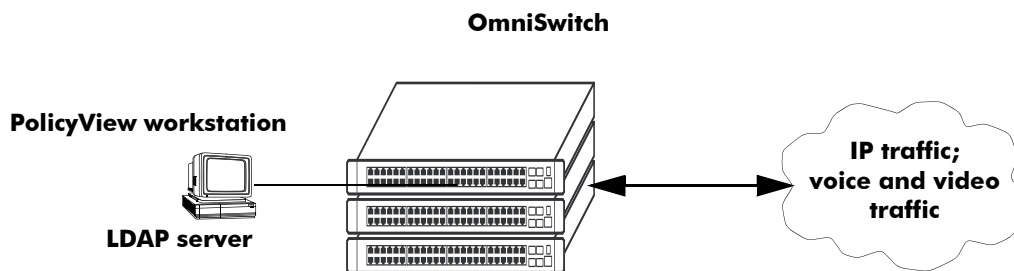
Policy Server Overview

The Lightweight Directory Access Protocol (LDAP) is a standard directory server protocol. The LDAP policy server client in the switch is based on RFC 2251. Currently, only LDAP servers are supported for policy management.

When the policy server is connected to the switch, the switch is automatically configured to communicate with the server to download and manage policies created by the PolicyView application. There is no required user configuration. (Note that the LDAP policy server is automatically installed when the PolicyView application is installed.)

Note. The switch has separate mechanisms for managing QoS policies stored on an LDAP server and QoS policies configured directly on the switch. For more information about creating policies directly on the switch, see [Chapter 21, “Configuring QoS.”](#)

Information about installing the LDAP policy server is included in this chapter. Consult the server manufacturer’s documentation for detailed information about configuring the server.



Policy Server Setup

Installing the LDAP Policy Server

Currently Netscape Directory Server 4.15 is supported. The server software is bundled with the PolicyView NMS application.

- 1 Install the directory server software on the server.
- 2 Install the Java Runtime Environment on the server.

See your server documentation for additional details on setting up the server.

See the next sections of this chapter for information about modifying policy server parameters or viewing information about policy servers.

Modifying Policy Servers

Policy servers are automatically configured when the server is installed; however, policy server parameters may be modified if necessary.

Note. SSL configuration must be done manually through the **policy server** command.

Modifying LDAP Policy Server Parameters

Use the **policy server** command to modify parameters for an LDAP policy server.

Keywords for the command are listed here:

Policy server keywords

port	password
admin	searchbase
preference	ssl
user	

For information about policy server parameter defaults, see [“Policy Server Defaults” on page 20-2](#).

Disabling the Policy Server From Downloading Policies

Policy servers may be prevented from downloading policies to the switch. By default, policy servers are enabled to download policies.

To disable a server, use the **policy server** command with the **admin** keyword and **down** option.

```
-> policy server 10.10.2.3 admin down
```

In this example, an LDAP server with an IP address of 10.10.2.3 will not be used to download policies. Any policies already downloaded to the switch are not affected by disabling the server.

To re-enable the server, specify **up**.

```
-> policy server 10.10.2.3 admin up
```

The server is now available for downloading policies.

To delete a policy server from the configuration, use the **no** form of the command with the relevant IP address:

```
-> no policy server 10.10.2.3
```

If the policy server is not created on the default port, the **no** form of the command must include the port number. For example:

```
-> no policy server 10.10.2.4 5000
```

Modifying the Port Number

To modify the port, enter the **policy server** command with the **port** keyword and the relevant port number.

```
-> policy server 10.10.2.3 port 5000
```

Note that the port number must match the port number configured on the policy server.

If the port number is modified, any existing entry for that policy server is not removed. Another entry is simply added to the policy server table.

Note. If you enable SSL, the port number is automatically set to 636. (This does not create another entry in the port table.)

For example, if you configure a policy server with port 389 (the default), and then configure another policy server with the same IP address but port number 5000, two entries will display on the **show policy server** screen.

```
-> policy server 10.10.2.3
-> policy server 10.10.2.3 port number 5000
-> show policy server
```

Server	IP Address	port	enabled	status	primary
1	10.10.2.3	389	Yes	Up	X
2	10.10.2.3	5000	No	Down	-

To remove an entry, use the **no** form of the **policy server** command. For example:

```
-> no policy server 10.10.2.3 port number 389
```

The first entry is removed from the policy server table.

Modifying the Policy Server Username and Password

A user name and password may be specified so that only specific users can access the policy server.

```
-> policy server 10.10.2.3 user kandinsky password blue
```

If this command is entered, a user with a username of **kandinsky** and a password of **blue** will be able to access the LDAP server to modify parameters on the server itself.

Modifying the Searchbase

The searchbase name is "o=alcatel.com" by default. To modify the searchbase name, enter the **policy server** command with the **searchbase** keyword. For example:

```
-> policy server 10.10.2.3 searchbase "ou=qo,o=company,c=us"
```

Note that the searchbase path must be a valid path in the server directory structure.

Configuring a Secure Socket Layer for a Policy Server

A Secure Socket Layer (SSL) may be configured between the policy server and the switch. If SSL is enabled, the PolicyView application can no longer write policies to the LDAP directory server.

By default, SSL is disabled. To enable SSL, use the **policy server** command with the **ssl** option. For example:

```
-> policy server 10.10.2.3 ssl
```

SSL is now enabled between the specified server and the switch. The port number in the switch configuration will be automatically set to 636, which is the port number typically used for SSL; however, the port number should be configured with whatever port number is set on the server. For information about configuring the port number, see [“Modifying the Port Number” on page 20-5](#).

To disable SSL, use **no ssl** with the command:

```
-> policy server 10.10.2.3 no ssl
```

SSL is disabled for the 10.10.2.3 policy server. No additional policies may be saved to the directory server from the PolicyView application.

Loading Policies From an LDAP Server

To download policies (or rules) from an LDAP server to the switch, use the **policy server load** command. Before a server can download policies, it must also be set up and operational (able to bind).

To download policies from the server, enter the following:

```
-> policy server load
```

Use the **show policy server long** command to display the last load time. For example:

```
-> show policy server long
LDAP server 0
  IP address           : 10.10.2.3,
  TCP port            : 16652,
  Enabled              : Yes,
  Operational Status  : Down,
  Preference          : 99,
  Authentication      : password,
  SSL                 : Disabled,
  login DN            : cn=DirMgr
  searchbase          : o=company
  Last load time      : 02/14/02 16:38:18
```

Removing LDAP Policies From the Switch

To flush LDAP policies from the switch, use the **policy server flush** command. Note that any policies configured directly on the switch through the CLI *are not affected* by this command.

```
-> policy server flush
```

Interaction With CLI Policies

Policies configured via PolicyView can only be modified through PolicyView. They cannot be modified through the CLI. Any policy management done through the CLI only affects policies configured through the CLI. For example, the **qos flush** command only removes CLI policies; LDAP policies are not affected.

Also, the **policy server flush** command removes only LDAP policies; CLI policies are not affected.

Note. If policies are applied from PolicyView or vice versa, it will activate all current configuration.

For more information about configuring policies through the CLI, see [Chapter 21, “Configuring QoS.”](#)

Verifying the Policy Server Configuration

To display information about authentication and policy servers, use the following commands:

show policy server	Displays information about servers from which policies may be downloaded to the switch.
show policy server long	Displays detailed information about an LDAP policy server.
show policy server statistics	Displays statistics about policy directory servers.
show policy server rules	Displays the names of policies originating on a directory server that have been downloaded to the switch.
show policy server events	Displays any events related to a directory server.

21 Configuring QoS

Alcatel's QoS software provides a way to manipulate flows coming through the switch based on user-configured policies. The flow manipulation (generally referred to as *Quality of Service* or *QoS*) may be as simple as allowing/denying traffic, or as complicated as remapping 802.1p bits from a Layer 2 network to ToS values in a Layer 3 network.

While policies may be used in many different types of network scenarios, there are several typical types discussed in this chapter:

- **Basic QoS**—includes traffic prioritization and bandwidth shaping
- **ICMP policies**—includes filtering, prioritizing, and/or rate limiting ICMP traffic for security
- **802.1p/ToS/DSCP**—includes policies for marking and mapping
- **Access Control Lists (ACLs)**—ACLs are a specific type of QoS policy used for Layer 2 and Layer 3/4 filtering. Since filtering is used in many different network situations, ACLs are described in a separate chapter (see [Chapter 22, “Configuring ACLs”](#)).

In This Chapter

This chapter describes QoS in general and how policies are used on the switch. It provides information about configuring QoS through the Command Line Interface (CLI). CLI commands are used in the configuration examples; for more details about the syntax of commands, see the *OmniSwitch CLI Reference Guide*.

Configuration procedures described in this chapter include:

- Setting up global QoS parameters (see [page 21-12](#))
- Setting up policy components, such as policy conditions and actions (see [page 21-23](#))
- Configuring specific types of policies (see [page 21-49](#))

Note. Policies may also be configured through the PolicyView NMS application and stored on an attached LDAP server. LDAP policies are downloaded to the switch and managed via the Policy Manager feature in the switch. For more information about managing LDAP policies, see [Chapter 20, “Managing Policy Servers.”](#)

QoS Specifications

Maximum number of policy rules per stack	1024
Maximum number of policy rules per port	99
Maximum number of policy conditions	2048
Maximum number of policy actions	2048
Maximum number of policy services	256
Maximum number of groups (network, MAC, service, port)	1024
Maximum number of group entries	512 per group
CLI Command Prefix Recognition	Some QoS commands support prefix recognition. See the “Using the CLI” chapter in the <i>OmniSwitch 6800 Switch Management Guide</i> for more information.

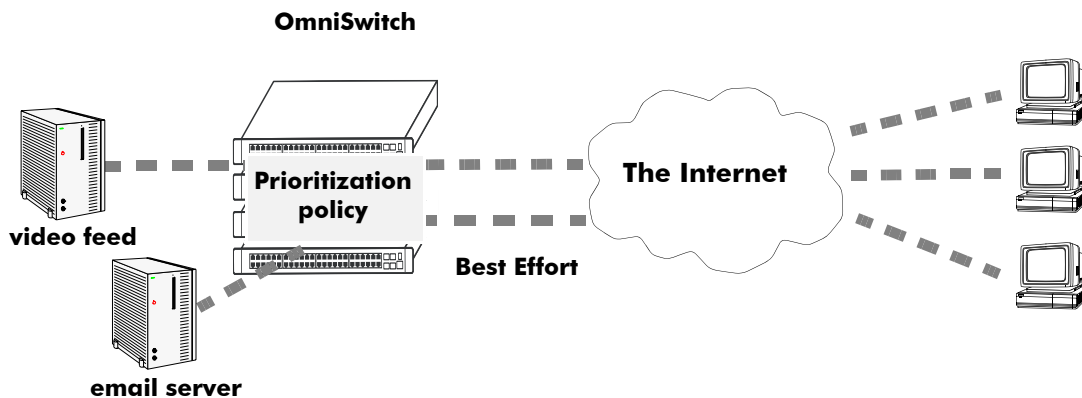
QoS General Overview

Quality of Service (QoS) refers to transmission quality and available service that is measured and sometimes guaranteed in advance for a particular type of traffic in a network. QoS lends itself to circuit-switched networks like ATM, which bundle traffic into cells of the same length and transmit the traffic over predefined virtual paths. In contrast, IP and other packet-switched networks operate on the concept of shared resources and *best effort* routing, using bandwidth as needed and reassembling packets at their destinations. Applying QoS to packet-switched networks requires different mechanisms than those used in circuit-switched networks.

QoS is often defined as a way to manage bandwidth. Another way to handle different types of flows and increased bandwidth requirements is to add more bandwidth. But bandwidth can be expensive, particularly at the WAN connection. If LAN links that connect to the WAN are not given more bandwidth, bottlenecks may still occur. Also, adding enough bandwidth to compensate for peak load periods will mean that at times some bandwidth will be unused. In addition, adding bandwidth does not guarantee any kind of control over network resources.

Using QoS, a network administrator can gain more control over networks where different types of traffic (or flows) are in use or where network congestion is high. Preferential treatment may be given to individual flows as required. Voice over IP (VoIP) traffic or mission-critical data may be marked as priority traffic and/or given more bandwidth on the link. QoS can also prevent large flows, such as a video stream, from consuming all the link's bandwidth. Using QoS, a network administrator can decide which traffic needs preferential treatment, and which traffic can be adequately served with best effort.

QoS is implemented on the switch through the use of user-defined policies. The following simplified illustration shows how video traffic may receive priority over email traffic.



Sample QoS Setup

QoS Policy Overview

A policy (or a *policy rule*) is made up of a condition and an action. The condition specifies parameters that the switch will examine in incoming flows, such as destination address or Type of Service (ToS) bits. The action specifies what the switch will do with a flow that matches the condition; for example, it may queue the flow with a higher priority, or reset the ToS bits.

Policies may be created directly on the switch through the CLI or WebView. Or policies may be created on an external LDAP server via the PolicyView application. The switch makes a distinction between policies created on the switch and policies created on an LDAP server.

Note. Policies may be only be modified using the same source used to create them. Policies configured through PolicyView may only be edited through PolicyView. Policies created directly on the switch through the CLI or WebView may only be edited on the switch. Policies may be created through the CLI or WebView, however, to override policies created in PolicyView. And vice versa.

This chapter discusses policy configuration using the CLI. For information about using WebView to configure the switch, see the *OmniSwitch 6800 Switch Management Guide*. For information about configuring policies through PolicyView, see the PolicyView online help.

How Policies Are Used

When a flow comes into the switch, the QoS software in the switch checks to see if there are any policies with conditions that match the flow.

- ***If there are no policies that match the flow***, the flow is accepted or denied based on the global disposition set for the switch. By default, the disposition is **accept**. Use the **qos default bridged disposition**, **qos default routed disposition**, or **qos default multicast disposition** command to change the disposition. If the flow is accepted, it is placed in a default queue on the output port.
- ***If there is more than one policy that matches the flow***, each policy is applied to the flow as long as there are no conflicts between the policies. If there is a conflict, then the policy with the highest precedence is applied to the flow. For more information about policy precedence, see “[Rule Precedence](#)” on [page 21-28](#).
- ***Flows must also match all parameters configured in a policy condition***. A policy condition must have at least one classification parameter.

Once the flow is classified and matched to a policy, the switch enforces the policy by mapping each packet of the flow to the appropriate queue and scheduling it on the output port. There are a total of eight queues per port (two are reserved for internal use only). Traffic is mapped to a queue based on policies, the ToS/802.1p value of the packet, and whether the port is trusted or untrusted. For more information about queues, see “[QoS Ports and Queues](#)” on [page 21-18](#)

Valid Policies

The switch does not allow you to create invalid condition/action combinations; if you enter an invalid combination, an error message will display.

A list of valid condition and condition/action combinations is given in “[Condition Combinations](#)” on [page 21-6](#) and “[Action Combinations](#)” on [page 21-7](#).

It is possible to configure a valid QoS rule that is active on the switch, however the switch is not able to enforce the rule because some other switch function (for example, routing) is disabled. See the condition and condition/action combinations tables for more information about valid combinations (“[Condition Combinations](#)” on page 21-6 and “[Action Combinations](#)” on page 21-7).

Interaction With Other Features

QoS policies may be an integral part of configuring other switch features, such as Link Aggregation. In addition, QoS settings may affect other features in the switch; or QoS settings may require that other switch features be configured in a particular way.

A summary of related features is given here:

- **Dynamic Link Aggregates**—Policies may be used to prioritize dynamic link aggregation groups. For details, see [Chapter 11, “Configuring Dynamic Link Aggregation.”](#)
- **802.1Q**—Tagged ports are always trusted, regardless of QoS settings. For information about configuring ports with 802.1Q, see [Chapter 9, “Configuring 802.1Q.”](#)
- **Mobile Ports**—Mobile ports are always trusted, regardless of QoS settings. For information about setting up mobile ports, see [Chapter 6, “Assigning Ports to VLANs.”](#)
- **LDAP Policy Management**—Policies may also be configured through the PolicyView application and stored on an attached LDAP server. LDAP policies may only be modified through PolicyView. For information about setting up a policy server and managing LDAP policies, see [Chapter 20, “Managing Policy Servers.”](#)

Condition Combinations

The CLI prevents you from configuring invalid condition combinations that are never allowed; however, it does allow you to create combinations that are supported in some scenario. For example, you might configure source ip and a destination ip for the same condition. This is a valid combination, but will only be used to classify bridged traffic.

The following conditions are supported and may be combined with other conditions and/or actions:

- **Layer 1**—source port, source port group, destination port, destination port group.
- **Layer 2**—source MAC, source MAC group, destination MAC, destination MAC group, 802.1p, ether-type, source VLAN, destination VLAN (multicast policies only).
- **Layer 3**—IP protocol, source IP, source network group, destination IP, destination network group, ToS, DSCP, ICMP type, ICMP code.
- **Layer 4**—source TCP/UDP port, destination TCP/UDP port, service, service group.

Note the following:

- Layer 2 and Layer 4 conditions cannot be combined, unless the Layer 2 condition is for 802.1p. This is the only Layer 2 condition that is allowed in combination with Layer 4 conditions.
- Source and destination parameters can be combined in Layer 2, Layer 3, and Layer 4 conditions.
- Individual items and their corresponding groups cannot be combined in the same condition. For example, a source IP address cannot be included in a condition with a source IP network group.
- Layer 2 and Layer 3 rules are always effected on bridged and routed traffic. As a result, combining source or destination TCP/UDP port and IP protocol in a condition is allowed.
- In a given rule, ToS or DSCP may be specified for a condition with priority specified for the action.

Use the following policy condition combinations table as a guide when configuring policy conditions. For more information about policy action combinations, see [“Action Combinations” on page 21-7](#).

Policy Condition Combinations Table

	Layer 1	Layer 2	Layer 3	Layer 4
Layer 1	All	All	All	All
Layer 2	All	All	All	None*
Layer 3	All	All	All	All
Layer 4	All	None*	All	All

**However, 802.1P (Layer 2) conditions are allowed in combination with Layer 4 conditions.*

Action Combinations

The CLI prevents you from configuring invalid action combinations that are never allowed; however, it does allow you to create combinations that are supported in some scenario. For example, an action specifying maximum bandwidth may be combined with an action specifying priority.

The following actions are supported and may be combined with other actions:

- ACL (disposition drop)
- Priority
- 802.1p ToS/DCSP Stamping and Mapping
- Maximum bandwidth
- Minimum Bandwidth

Use the following policy action combinations table as a guide when creating policy rules. For more information about policy condition combinations, see [“Condition Combinations” on page 21-6](#).

Policy Action Combinations Table

	Drop	Priority	Stamp/Map	Max BW	Min Bw
Drop	N/A	No	No	No	No
Priority	No	N/A	Yes	Yes	No
Stamp/Map	No	Yes	N/A	Yes	Yes
Max BW	No	Yes	Yes	N/A	No

QoS Defaults

The following tables list the defaults for global QoS parameters, individual port settings, policy rules, and default policy rules.

Global QoS Defaults

Use the **qos reset** command to reset global values to their defaults.

Description	Command	Default
QoS enabled or disabled	qos	enabled
Global default queuing scheme for ports	qos default servicing mode	strict priority queuing
Whether ports are globally trusted or untrusted	qos trust ports	802.1Q-tagged ports and mobile ports are always trusted; any other port is untrusted
Statistics interval	qos stats interval	60 seconds
Global bridged disposition	qos default bridged disposition	accept
Global routed disposition	qos default routed disposition	accept
Global multicast disposition	qos default multicast disposition	accept
Level of log detail	qos log level	6
Number of lines in QoS log	qos log lines	256
Whether log messages are sent to the console	qos log console	no
Whether log messages are available to OmniVista applications	qos forward log	no
Type of messages logged	debug qos	info

QoS Port Defaults

Use the **qos port reset** command to reset port settings to the defaults.

Description	Command/keyword	Default
The default 802.1p value inserted into packets received on untrusted ports.	qos port default 802.1p	0
The default DSCP value inserted into packets received on untrusted ports.	qos port default dscp	0
Whether the port uses strict priority or weighted fair queuing.	qos port servicing mode	strict priority queuing
Whether the port is trusted or untrusted	qos port trusted	802.1Q and mobile ports are always trusted; other ports are untrusted
Maximum bandwidth	qos port maximum bandwidth	port bandwidth

Policy Rule Defaults

The following are defaults for the **policy rule** command:

Description	Keyword	Default
Policy rule enabled or disabled	enable disable	enabled
Determines the order in which rules are searched	precedence	0
Whether the rule is saved to flash immediately	save	Save option is enabled.

**However, policy rules configured with source and destination conditions and actions with disposition, priority, or 802.1P configured are automatically bidirectional.*

Policy Action Defaults

The following are defaults for the **policy action** command:

Description	Keyword	Default
Whether the flow matching the rule should be accepted or denied	disposition	accept

Note that in the current software release, the **deny** and **drop** options produce the same effect that is, the traffic is silently dropped.

Note. There are no defaults for the **policy condition** command.

Default (Built-in) Policies

The switch includes some built-in policies, or default policies, for particular traffic types or situations where traffic does not match any policies. In all cases, the switch accepts the traffic and places it into default queues.

- *Other traffic*—Any traffic that does not match a policy is accepted or denied based on the global disposition setting on the switch. The global disposition is by default **accept**. Use the **qos default bridged disposition**, **qos default routed disposition**, and **qos default multicast disposition** commands to change the disposition as described in “Creating Policy Conditions” on page 21-25 and “Setting the Global Default Dispositions” on page 21-12.
- *The switch network group*—The switch has a default network group, called **switch**, that includes all IP addresses configured for the switch itself. This default network group may be used in policies. See “Creating Network Groups” on page 21-35 for more information about network groups.
- *Policy Port Groups*—The switch has built-in policy port groups for each slot. The groups are called **Slot01**, **Slot02**, etc. Use the **show policy port group** command to view the built-in groups.

QoS Configuration Overview

QoS configuration involves the following general steps:

1 Configuring Global Parameters. In addition to enabling/disabling QoS, global configuration includes settings such as global port parameters, default disposition for flows, and various timeouts. The type of parameters you might want to configure globally will depend on the types of policies you will be configuring. For example, if you want to set up policies for 802.1p or ToS/DSCP traffic, you may want to configure all ports as trusted ports.

Typically, you will not need to change any of the global defaults. See [“Global QoS Defaults” on page 21-8](#) for a list of the global defaults. See [“Configuring Global QoS Parameters” on page 21-12](#) for information about configuring global parameters.

2 Configuring QoS Port Parameters. This configuration includes setting up QoS parameters on a per port basis. Typically you will not need to change the port defaults. See [“QoS Port Defaults” on page 21-9](#) for a list of port defaults. See [“QoS Ports and Queues” on page 21-18](#) for information about configuring port parameters.

3 Setting Up Policies. Most QoS configuration involves setting up policies. See [“Creating Policies” on page 21-23](#).

4 Applying the Configuration. All policy rule configuration and some global parameters must be specifically applied through the `qos apply` command before they are active on the switch. See [“Applying the Configuration” on page 21-46](#).

Configuring Global QoS Parameters

This section describes the global QoS configuration, which includes enabling and disabling QoS, applying and activating the configuration, controlling the QoS log display, and configuring QoS port and queue parameters.

Enabling/Disabling QoS

By default QoS is enabled on the switch. If QoS policies are configured and applied, the switch will attempt to classify traffic and apply relevant policy actions.

To disable the QoS, use the **qos** command. For example:

```
-> qos disable
```

QoS is immediately disabled. When QoS is disabled globally, any flows coming into the switch are not classified (matched to policies).

To re-enable QoS, enter the **qos** command with the **enable** option:

```
-> qos enable
```

QoS is immediately re-enabled. Any policies that are active on the switch will be used to classify traffic coming into the switch.

Note that individual policy rules may be enabled or disabled with the **policy rule** command.

Setting the Global Default Dispositions

By default, bridged, routed, and multicast flows that do not match any policies are accepted on the switch. To change the global default disposition (which determines whether the switch will accept, deny, or drop the flow), use the desired disposition setting (**accept**, **drop**, or **deny**) with any of the following commands: **qos default bridged disposition**, **qos default routed disposition**, or **qos default multicast disposition**.

In the current release, the **drop** and **deny** options produce the same result (flows are silently dropped; no ICMP message is sent).

For example, to deny any routed flows that do not match policies, enter:

```
-> qos default routed disposition deny
```

To activate the setting, enter the **qos apply** command. For more information about the **qos apply** command, see [“Applying the Configuration” on page 21-46](#).

Typically, the disposition is only configured when you are using policies for Access Control Lists (ACLs).

Note that if you set **qos default bridged disposition** to **deny**, you effectively drop all traffic (bridged or routed) that does not match any policy. If you want to create ACLs to allow some Layer 2 traffic through the switch, you must configure two rules for each type of Layer 2 traffic, one for source and one for destination. For more information about ACLs, see [Chapter 22, “Configuring ACLs.”](#)

Setting the Global Default Servicing Mode

The servicing mode refers to the queuing scheme used to shape traffic on destination (egress) ports. There are two schemes available: strict priority and weighted fair queueing (WFQ). By default all switch ports are set to use strict priority queuing.

The **qos default servicing mode** command is used to set the default queuing scheme for all switch ports. For example, the following command selects the WFQ scheme as the default servicing mode:

```
-> qos default servicing mode priority-wrr
```

For more information about the available queuing schemes and configuring the servicing mode for individual ports, see [“Configuring Queuing Schemes” on page 21-18](#).

Using the QoS Log

The QoS software in the switch creates its own log for QoS-specific events. You may modify the number of lines in the log or change the level of detail given in the log. The PolicyView application, which is used to create QoS policies stored on an LDAP server, may query the switch for log events; or log events can be immediately available to the PolicyView application via a CLI command. Log events may also be forwarded to the console in real time.

What Kind of Information Is Logged

The **debug qos** command controls what kind of information will be displayed in the log. The **qos log level** command determines how specific the log messages will be. See [“Log Detail Level” on page 21-14](#).

By default, only the most basic QoS information is logged. The types of information that may be logged includes rules, Layer 2 and Layer 3 information, etc. For a detailed explanation about the types of information that may be logged, see the *OmniSwitch CLI Reference Guide*. A brief summary of the available keywords is given here:

debug qos keywords		
info	mem	classifier
config	cam	sem
rule	mapper	pm
main	flows	ingress
route	queue	egress
hre	slot	nimsg
port	l2	
msg	l3	
sl		

To display information about any QoS rules on the switch, enter **debug qos rule**:

```
-> debug qos rules
```

To change the type of debugging, use **no** with the relevant type of information that you want to remove. For example:

```
-> debug qos no rule
```

To turn off debugging (which effectively turns off logging), enter the following:

```
-> no debug qos
```

Enter the **qos apply** command to activate the setting.

Number of Lines in the QoS Log

By default the QoS log displays a maximum of 256 lines. To change the maximum number of lines that may display, use the **qos log lines** command and enter the number of lines. For example:

```
-> qos log lines 30
```

The number of lines in the log is changed. To activate the change, enter the **qos apply** command.

Note. If you change the number of log lines, the QoS log may be completely cleared. To change the log lines without clearing the log, set the log lines in the **boot.cfg** file; the log will be set to the specified number of lines at the next reboot.

Log Detail Level

To change the level of detail in the QoS log, use the **qos log level** command. The log level determines the amount of detail that will be given in the QoS log. The **qos log level** command is associated with the **qos debug** command, which determines what kind of information will be included in the log.

The default log level is 6. The range of values is 1 (lowest level of detail) to 9 (highest level of detail). For example:

```
-> qos log level 7
```

The log level is changed immediately but the setting is not saved in flash. To activate the change, enter the **qos apply** command. For more information about the **qos apply** command, see [“Applying the Configuration” on page 21-46](#).

Note. A high log level value will impact the performance of the switch.

Forwarding Log Events to PolicyView

In addition to managing policies created directly on the switch, the switch manages policies downloaded from an external LDAP server. These policies are created externally through the PolicyView NMS application. PolicyView may query the switch for logged QoS events. Use the **qos forward log** command to make QoS log events available to PolicyView in real time. For example:

```
-> qos forward log
```

To disable log forwarding, enter the following command:

```
-> qos no forward log
```

To activate the change, enter the **qos apply** command. For more information about the **qos apply** command, see [“Applying the Configuration” on page 21-46](#).

If event forwarding is disabled, PolicyView will still be able to query the QoS software for events, but the events will not be sent in real time.

Forwarding Log Events to the Console

QoS log messages may be sent to a console attached directly to the switch. By default, QoS log messages are not sent to the console. To send log events to the console, enter the following command:

```
-> qos log console
```

To disable immediate forwarding of events to the console, enter the following command:

```
-> qos no log console
```

To activate the change, enter the **qos apply** command. For more information about the **qos apply** command, see [“Applying the Configuration” on page 21-46](#).

Displaying the QoS Log

To view the QoS log, use the **show qos log** command. The display is similar to the following:

```
**QOS Log**

Insert rule 0
Rule index at 0
Insert rule 1
Rule index at 1
Insert rule 2
Rule index at 2
Enable rule r1 (1) 1,1
Enable rule r2 (0) 1,1
Enable rule yuba1 (2) 1,1
Verify rule r1(1)
Enable rule r1 (1) 1,1
Really enable r1
Update condition c1 for rule 1 (1)
Verify rule r2(1)
Enable rule r2 (0) 1,1
Really enable r2
Update condition c2 for rule 0 (1)
Verify rule yuba1(1)
Enable rule yuba1 (2) 1,1
Really enable yuba1
Update condition yubamac for rule 2 (1)
QoS Manager started TUE MAR 10 13:46:50 2002

Match rule 2 to 1
Match rule 2 to 2
Match rule 2 to 3
```

The log display may be modified through the **qos log lines**, **qos log level**, and **debug qos** commands. The log display may also be output to the console through the **qos log console** command or sent to the policy software in the switch (which manages policies downloaded from an LDAP server) through the **qos forward log** command.

Clearing the QoS Log

The QoS log can get large if invalid rules are configured on the switch, or if a lot of QoS events have taken place. Clearing the log makes the file easier to manage.

To clear the QoS log, use the **qos clear log** command. For example:

```
-> qos clear log
```

All the current lines in the QoS log are deleted.

Classifying Bridged Traffic as Layer 3

In some network configurations you may want to force the switch to classify bridged traffic as routed (Layer 3) traffic. Typically this option is used for QoS filtering. See [Chapter 22, “Configuring ACLs,”](#) for more information about filtering.

The Layer 3 classification of bridged traffic is no different from the classification of normal Layer 3 routed traffic. Note that Layer 3 classification of bridged traffic is always done. As a result,

- Layer 3 ACLs are always effected on bridged traffic.
- The switch may bridge and route traffic to the same destination.
- Bridged IP packets are prioritized based on ToS, not 802.1p.
- The **qos classifyl3 bridged** command is not available and the **show qos config** output display **Classify bridged at L3** field will always show the status of this parameter set to **yes**.

Note that Layer 3 ACLs are effected on bridged IP traffic and Layer 2 ACLs are effected on routed traffic.

Setting the Statistics Interval

To change how often the switch polls the network interfaces for QoS statistics, use the **qos stats interval** command with the desired interval time in seconds. The default is 60 seconds. For example:

```
-> qos stats interval 30
```

Statistics are displayed through the **show qos statistics** command. For more information about this command, see the *OmniSwitch CLI Reference Guide*.

Returning the Global Configuration to Defaults

To return the global QoS configuration to its default settings, use the **qos reset** command. The defaults will then be active on the switch. For a list of global defaults, see [“QoS Defaults” on page 21-8](#).

Note. The **qos reset** command only affects the global configuration. It does not affect any policy configuration.

Verifying Global Settings

To display information about the global configuration, use the following **show** commands:

- | | |
|----------------------------|--|
| show qos config | Displays global information about the QoS configuration. |
| show qos statistics | Displays statistics about QoS events. |

For more information about the syntax and displays of these commands, see the *OmniSwitch CLI Reference Guide*.

QoS Ports and Queues

Queue parameters may be modified on a port basis. When a flow coming into the switch matches a policy, it is queued based on:

- Parameters given in the policy action (specified by the **policy action** command) with either of the following keywords: **priority**, **minimum bandwidth**, or **maximum bandwidth**.
- Port settings configured through the **qos port** command.

Shared Queues

Six priority queues are available at startup for each port. Flows always share queues; however, when a **shared** action is specified in policies, the policies will use the same values to implement maximum and minimum bandwidth.

Configuring Queuing Schemes

There are two queuing schemes available for each switch port: strict priority and weighted fair queuing (WFQ). By default the strict priority scheme is used and consists of six priority queues (SPQ). All six queues on the port are serviced strictly by priority. Lower priority traffic is dropped in the presence of higher priority traffic.

The WFQ scheme provides a combination of two SPQs and four weighted round robin (WRR) queues. Traffic destined for any of the four WRR queues is allowed and only dropped in the presence of traffic destined for one of the SPQs, which are always serviced first.

The weight of each of the four WRR queues is a configurable value. Each SPQ is in essence a WRR queue with a weight of zero. Note the following when configuring WRR queue weights:

- Weights cannot be set to zero and must have a value between 1 and 15.
- The default weight for each WRR queue is set to one (1 1 1 1).
- The weights for each of the WRR queues must be the same or in ascending order.
- The value assigned to the WRR queue weight designates the number of packets the queue sends out before the scheduler moves on to the next queue. For example, a WRR queue with a weight of 10 sends out 10 packets at each interval.
- The higher the queue weight, the higher the percentage of the traffic that is serviced by that queue.

The queuing scheme selected is the scheme that is used to shape traffic on destination (egress) ports and is referred to as the QoS servicing mode for the port. It is possible to configure a default servicing mode that will apply to all switch ports (see [“Setting the Global Default Servicing Mode” on page 21-13](#)) or configure the servicing mode on an individual port basis (see [“Configuring the Servicing Mode for a Port” on page 21-19](#)).

Note that the QoS servicing mode only applies to destination ports because it is at this point where traffic shapping is effected on the flows. In addition, different ports can use different servicing modes.

Configuring the Servicing Mode for a Port

The **qos port servicing mode** command is used to configure the queuing scheme for an individual port. For example, the following command selects the strict priority scheme to service port 1/2:

```
-> qos port 1/2 servicing mode strict-priority
```

The following command selects the WFQ scheme to service port 1/8:

```
-> qos port 1/8 servicing mode priority-wrr
```

In the above example, a weight for each of the four WRR queues was not specified; therefore, the default value of 1 is used for each queue. The following example selects the WFQ scheme for service port 1/10 and assigns a weighted value to each queue:

```
-> qos port 1/10 servicing mode priority-wrr 10 11 12 13
```

To reset the servicing mode for the port back to the global default mode, use the **default** parameter with this command and do not specify a queuing scheme. For example,

```
-> qos port 1/10 servicing mode default
```

The **qos default servicing mode** command is used to set the global default queuing scheme that is used for all ports. See “[Setting the Global Default Servicing Mode](#)” on page 21-13 for more information.

Note the following when configuring the port servicing mode:

- The **qos port servicing mode** command overrides the servicing mode configured with the **qos default servicing mode** command.
- Once the **qos port servicing mode** command is used on a port, this same command is required to make any additional mode changes for that port. If the port is changed back to the default servicing mode, however, this restriction is removed and the **qos default servicing mode** command is also allowed on the port.

Queue Mapping Tables

In addition to the six queues (0–5) that are available for servicing traffic, each port also has two additional queues (6 and 7) that are reserved for internal use. Regardless of the queuing scheme selected, these queues are always strict priority.

Because of the priority to queue mapping that is used by both strict priority and WFQ schemes, network traffic with a priority bit of 6 or 7 could end up on SPQs 6 and 7. Since SPQs 6 and 7 are reserved for internal use, priority values are mapped to queues 0 through 5 for each queuing scheme.

Use the following SPQ and WFQ queue mapping tables to determine how packets are directed to the appropriate queues:

SPQ: 802.1p/ToS/DSCP to Queue Mapping Table

802.1p	ToS/DCSP	Queue	Strict Priority
0	0/0–7	0	SPQ0
1	1/8–15	0	SPQ0
2	2/16–23	1	SPQ1
3	3/24–31	2	SPQ2
4	4/32–39	3	SPQ3
5	5/40–47	4	SPQ4
6	6/48–55	5	SPQ5
7	7/56–63	5	SPQ5
		6	SPQ6 (reserved for internal traffic)
		7	SPQ7 (reserved for minimum bandwidth traffic)

WFQ: 802.1p/ToS/DSCP to Queue Mapping Table

802.1p	ToS/DCSP	Queue	Priority-WRR
0	0/0–7	0	WFQ1
1	1/8–15	0	WFQ1
2	2/16–23	1	WFQ1
3	3/24–31	2	WFQ2
4	4/32–39	3	WFQ3
5	5/40–47	4	SPQ1
6	6/48–55	5	SPQ2
7	7/56–63	5	SPQ2
		6	SPQ3 (reserved for internal traffic)
		7	SPQ4 (reserved for minimum bandwidth traffic)

Trusted and Untrusted Ports

By default switch ports are *not trusted*; that is, they do not recognize 802.1p or ToS/DSCP settings in packets of incoming traffic. If a port is not trusted, the switch sets any 802.1p or ToS/DSCP contained in an incoming packet to the default 802.1p and DSCP values configured for the port.

Fixed ports that are configured for 802.1Q are always trusted, regardless of QoS settings. They cannot be configured as untrusted. For more information about configuring 802.1Q for fixed ports, see [Chapter 9, “Configuring 802.1Q.”](#)

Mobile ports are also always trusted; however, mobile ports may or may not accept Q-tagged traffic.

Note About Mobile Ports. Mobile ports cannot be Q-tagged like fixed ports; however, a mobile port will join a tagged VLAN if tagged traffic for that VLAN comes in on the mobile port and the `vlan mobile-tag` command is enabled for that VLAN. For more information about enabling this command, see [Chapter 4, “Configuring VLANs.”](#)

Ports must be *both trusted and configured for 802.1Q* traffic in order to accept 802.1p traffic.

The following applies to ports that are trusted (for 802.1p traffic, the ports must also be able to accept 802.1Q packets):

- The 802.1p or ToS/DSCP value is preserved.
- If the incoming 802.1p or ToS/DSCP flow does not match a policy, the switch places the flow into a default queue and prioritizes the flow based on the 802.1p or ToS/DSCP value in the flow.
- If the incoming 802.1p or ToS/DSCP flow matches a policy, the switch queues the flow based on the policy action.

The switch may be set globally so that all ports are trusted. Individual ports may be configured to override the global setting.

Configuring Trusted Ports

By default, all ports (except 802.1Q-tagged ports and mobile ports) are untrusted. The trust setting may be configured globally on the switch, or on a per-port basis.

To configure the global setting on the switch, use the `qos trust ports` command. For example:

```
-> qos trust ports
```

To configure individual ports as trusted, use the `qos port trusted` command with the desired slot/port number. For example:

```
-> qos port 3/2 trusted
```

The global setting is active immediately; however, the port setting requires `qos apply` to activate the change. For more information about the `qos apply` command, see [“Applying the Configuration” on page 21-46.](#)

Using Trusted Ports With Policies

Whether or not the port is trusted is important if you want to classify traffic with 802.1p bits. If the policy condition specifies 802.1p, the switch must be able to recognize 802.1p bits. (Note that the trusted port must also be 802.1Q-tagged as described in [“Trusted and Untrusted Ports” on page 21-20.](#)) 802.1p bits may be set or mapped to a single value using the `policy action 802.1p` command. In this example, the `qos port` command specifies that port 2 on slot 3 will be able to recognize 802.1p bits. A policy condition (**Traffic**) is then created to classify traffic containing 802.1p bits set to 4 and destined for port 2 on slot 3. The policy action (**SetBits**) specifies that the bits will be reset to 7 when the traffic egresses the switch. A policy rule called **Rule2** puts the condition and the action together.

```
-> qos port 3/2 trusted
-> policy condition Traffic destination port 3/2 802.1p 4
-> policy action SetBits 802.1p 7
-> policy rule Rule2 condition Traffic action SetBits
```

To activate the configuration, enter the **qos apply** command. For more information about the **qos apply** command, see [“Applying the Configuration” on page 21-46](#).

For actions that set 802.1p bits, note that a limited set of policy conditions are supported. For information about which conditions may be used with an 802.1p action, see [“Condition Combinations” on page 21-6](#) and [“Action Combinations” on page 21-7](#).

Note. 802.1p mapping may also be set for Layer 3 traffic, which typically has the 802.1p bits set to zero.

Verifying the QoS Port and Queue Configuration

To display information about QoS ports and queues, use the following commands:

show qos port	Displays information about all QoS ports or a particular port.
show qos queue	Displays information for all QoS queues or only those queues associated with a particular slot/port.

See the *OmniSwitch CLI Reference Guide* for more information about the syntax and displays for these commands.

Creating Policies

This section describes how to create policies in general. For information about configuring specific types of policies, see [“Policy Applications” on page 21-49](#).

Basic commands for creating policies are as follows:

- [policy condition](#)
- [policy action](#)
- [policy rule](#)

This section describes generally how to use these commands. See [“Policy Applications” on page 21-49](#) for information about creating specific types of policies. For additional details about command syntax, see the *OmniSwitch CLI Reference Guide*.

Note. A policy rule may include a policy condition or a policy action that was created through PolicyView rather than the CLI. But a policy rule, policy action, or policy condition may only be modified through the source that created it. For example, if an action was created in PolicyView, it may be included in a policy rule configured through the CLI, but it cannot be modified through the CLI.

Policies are not used to classify traffic until the **qos apply** command is entered. See [“Applying the Configuration” on page 21-46](#).

To view information about how the switch will classify particular condition parameters, use the **show policy classify** command. This is useful to test conditions before actually activating the policies on the switch. See [“Testing Conditions” on page 21-32](#).

Quick Steps for Creating Policies

Follow the steps below for a quick tutorial on creating policies. More information about how to configure each command is given in later sections of this chapter.

- 1 Create a policy condition with the **policy condition** command. For example:

```
-> policy condition cond3 source ip 10.10.2.3
```

Note. (*Optional*) Test the rule with the **show policy classify** command using information from the policy condition. For example:

```
-> show policy classify 13 source ip 10.10.2.3
```

This command displays information about whether or not the indicated parameter may be used to classify traffic based on policies that are configured on the switch.

- 2 Create a policy action with the **policy action** command. For example:

```
-> policy action action2 priority 7
```

- 3 Create a policy rule with the **policy rule** command. For example:

```
-> policy rule my_rule condition cond3 action action2
```

4 Use the **qos apply** command to apply the policy to the configuration. For example:

```
-> qos apply
```

Note. (*Optional*) To verify that the rule has been configured, use the **show policy rule** command. The display is similar to the following:

```
-> show policy rule
Policy          From  Prec  Enabled  Inactive  Reflexive
my_rule         cli   0     Yes     Yes      No
Cnd/Act:       cond5 -> action2

+my_rule5       cli   0     Yes     No       No
Cnd/Act:       cond2 -> pri2

mac1            cli   0     Yes     No       No
Cnd/Act:       dmac1 -> pri2
```

This command displays information about whether or not the indicated parameter may be used to classify traffic based on policies that are configured on the switch. For more information about this display, see [“Verifying Policy Configuration” on page 21-31](#).

An example of how the example configuration commands might display when entered sequentially on the command line is given here:

```
-> policy condition cond3 source ip 10.10.2.3
-> policy action action2 priority 7
-> policy rule my_rule condition cond3 action action2
-> qos apply
```

ASCII-File-Only Syntax

When the **policy rule**, **policy condition**, and **policy action** commands as well as any of the condition group commands are configured and saved in an ASCII file (typically through the **snapshot** command), the commands included in the file will include syntax indicating the command’s origin. The origin specifies where the rule, condition, condition group, or action was created, either an LDAP server or the CLI (**from ldap** or **from cli**). For built-in QoS objects, the syntax displays as **from blt**. For example:

```
-> policy action A2 from ldap disposition accept
```

The **from** option is configurable (for LDAP or CLI only) on the command line; however, it is not recommended that a QoS object’s origin be modified. The **blt** keyword indicates built-in; this keyword cannot be used on the command line. For information about built-in policies and QoS groups, see [“How Policies Are Used” on page 21-4](#).

Creating Policy Conditions

This section describes how to create policy conditions in general. Creating policy conditions for particular types of network situations is described later in this chapter.

Note. Policy condition configuration is not active until the **qos apply** command is entered. See [“Applying the Configuration” on page 21-46](#).

To create or modify a policy condition, use the **policy condition** command with the keyword for the type of traffic you want to classify, for example, an IP address or group of IP addresses. In this example, a condition (**c3**) is created for classifying traffic from source IP address 10.10.2.1:

```
-> policy condition c3 source ip 10.10.2.1
```

There are many options for configuring a condition, depending on how you want the switch to classify traffic for this policy. An overview of the options is given here. Later sections of this chapter describe how to use the options in particular network situations.

Note. The group options in this command refer to groups of addresses, services, or ports that you configure separately through policy group commands. Rather than create a separate condition for each address, service, or port, use groups and attach the group to a single condition. See [“Using Condition Groups in Policies” on page 21-34](#) for more information about setting up groups.

More than one condition parameter may be specified. Some condition parameters, such as are mutually exclusive. For supported combinations of condition parameters, see [“Condition Combinations” on page 21-6](#).

policy condition keywords

source ip	service	source port
destination ip	service group	source port group
source network group	ip protocol	destination port
destination network group	icmptype	destination port group
source ip port	icmrcode	
destination ip port	tos	
source tcp port	dscp	
destination tcp port		
source udp port	source mac	
destination udp port	destination mac	
	source mac group	
	destination mac group	
	source vlan	
	destination vlan (multicast only)	
	ethertype	

The condition will not be active on the switch until you enter the **qos apply** command.

Removing Condition Parameters

To remove a classification parameter from the condition, use **no** with the relevant keyword. For example:

```
-> policy condition c3 no source ip
```

The specified parameter (in this case, a source IP address) will be removed from the condition (**c3**) at the next **qos apply**.

Note. You cannot remove all parameters from a policy condition. A condition must be configured with at least one parameter.

Deleting Policy Conditions

To remove a policy condition, use the **no** form of the command. For example:

```
-> no policy condition c3
```

The condition (**c3**) cannot be deleted if it is currently being used by a policy rule. If a rule is using the condition, the switch will display an error message. For example:

```
ERROR: c3 is being used by rule 'my_rule'
```

In this case, the condition will not be deleted. The condition (**c3**) must first be removed from the policy rule (**my_rule**). See [“Creating Policy Rules” on page 21-27](#) for more information about setting up rules.

If **c3** is not used by a policy rule, it will be deleted after the next **qos apply**.

Creating Policy Actions

This section describes how to configure policy actions in general. Creating policy actions for particular types of network situations is described later in this chapter.

To create or modify a policy action, use the **policy action** command with the desired action parameter. A policy action should specify the way traffic should be treated. For example, it might specify a priority for the flow, a source address to rewrite in the IP header, or it may specify that the flow may simply be dropped. For example:

```
-> policy action Block disposition drop
```

In this example, the action (**Block**) has a disposition of **drop** (disposition determines whether a flow is allowed or dropped on the switch). This action may be used in a policy rule to deny a particular type of traffic specified by a policy condition.

Note. Policy action configuration is not active until the **qos apply** command is entered. See [“Applying the Configuration” on page 21-46](#).

More than one action parameter may be specified. Some parameters may be mutually exclusive. In addition, some action parameters are only supported with particular condition parameters. For information about supported combinations of condition and action parameters, see [“Condition Combinations” on page 21-6](#) and [“Action Combinations” on page 21-7](#). See the *OmniSwitch CLI Reference Guide* for details about command syntax.

policy action keywords

disposition	tos
shared	802.1p
priority	dcsp
minimum bandwidth	map
maximum bandwidth	

Note. If you combine **priority** with **802.1p**, **dscp**, **tos**, or **map**, in an action, the priority value is used to prioritize the flow.

Removing Action Parameters

To remove an action parameter or return the parameter to its default, use **no** with the relevant keyword.

```
-> policy action a6 no priority
```

This example removes the configured priority value from action **a6**. If any policy rule is using action **a6**, the default action will be to allow the flow classified by the policy condition.

The specified parameter (in this case, priority) will be removed from the action at the next **qos apply**.

Deleting a Policy Action

To remove a policy action, use the **no** form of the command.

```
-> no policy action a6
```

The action cannot be deleted if it is currently being used by a policy rule. If a rule is using the action, the switch will display an error message. For example:

```
ERROR: a6 is being used by rule 'my_rule'
```

In this case, the action will not be deleted. The action (**a6**) must first be removed from the policy rule (**my_rule**). See [“Creating Policy Rules” on page 21-27](#) for more information about setting up rules.

If **a6** is not used by a policy rule, it will be deleted after the next **qos apply**.

Creating Policy Rules

This section describes in general how to create or delete policy rules and rule parameters. See later sections of this chapter for more information about creating particular types of policy rules.

To create a policy rule, use the **policy rule** command and specify the name of the rule, the desired condition, and the desired action.

In this example, condition **c3** is created for traffic coming from IP address 10.10.8.9, and action **a7** is created to prioritize the flow. Policy rule **rule5** combines the condition and the action, so that traffic arriving on the switch from 10.10.8.9 will be placed into the highest priority queue.

```
-> policy condition c3 source ip 10.10.8.9
-> policy action a7 priority 7
-> policy rule rule5 condition c3 action a7
```

The rule (**rule5**) will only take effect after the **qos apply** command is entered. For more information about the **qos apply** command, see [“Applying the Configuration” on page 21-46](#).

The **policy rule** command may specify the following keywords:

policy rule keywords

precedence
save
log

In addition, a policy rule may be administratively disabled or re-enabled using the **policy rule** command. By default rules are enabled. For a list of rule defaults, see [“Policy Rule Defaults” on page 21-9](#).

Information about using the **policy rule** command options is given in the next sections.

Disabling Rules

By default, rules are enabled. Rules may be disabled or re-enabled through the **policy rule** command using the **disable** and **enable** options. For example:

```
-> policy rule rule5 disable
```

This command prevents **rule5** from being used to classify traffic.

Note that if **qos disable** is entered, the rule will not be used to classify traffic even if the rule is enabled. For more information about enabling/disabling QoS globally, see [“Enabling/Disabling QoS” on page 21-12](#).

Rule Precedence

All rules that match a flow will be applied to the flow, unless one of the following rule conflicts occur:

- Actions specified by one or more rules are in conflict with each other.
- Conditions specified in one or more contiguous rules are the same.

If any of the above items are true, then rule precedence is used to determine which rule to apply to the flow. *(This functionality is different from the OmniSwitch 7700/7800/8800, which will always apply the rule with the highest precedence.)*

See the next sections ([“Rules With Compatible Actions” on page 21-29](#) and [“Rules With Conflicting Actions” on page 21-29](#)) for more information about precedence and flows. Precedence is particularly important for Access Control Lists (ACLs). For more details about precedence and examples for using precedence, see [Chapter 22, “Configuring ACLs.”](#)

How Precedence is Determined

When there is a conflict between rules, precedence is determined using one of the following methods:

- **Precedence value**—Each policy has a precedence value. The value may be user-configured through the **policy rule** command in the range from 0 (lowest) to 65535 (highest). (The range 30000 to 65535 is typically reserved for PolicyView.) By default, a policy rule has a precedence of 0.
- **Configured rule order**—If a flow matches more than one rule and both rules have the same precedence value, the rule that was *configured first* in the list will take precedence.

Note. Minimum bandwidth rules have the highest precedence over all other rules in the system. They are enforced internally and cannot be overridden by user-configured settings. In addition, specifying a minimum bandwidth value implies a maximum bandwidth of the same value.

Specifying Precedence for a Particular Rule

To specify a precedence value for a particular rule, use the **policy rule** command with the precedence keyword. For example:

```
-> policy rule r1 precedence 200 condition c1 action a1
```

Rules With Compatible Actions

More than one rule may have the same condition. For example, two Layer 3 rules may have the same IP address condition but different actions. If the actions are compatible, both rules will be applied to the flow, regardless of the precedence settings. In this example, the rules are created with the default precedence (0) value.

```
-> policy condition X source ip 10.10.2.3
-> policy action Y priority 7
-> policy action Z maximum bandwidth 10m

-> policy rule Rule1 condition X action Y
-> policy rule Rule2 condition X action Z
```

In this example, when a flow comes into the switch and matches source IP address 10.10.2.3, the switch will apply both policies (**Rule1** and **Rule2**) to the flow. On the OmniSwitch 6800, a source IP address may be combined with priority and maximum bandwidth actions at the same time, so both rules are used. See the [“Policy Action Combinations Table” on page 21-7](#) to identify compatible actions.

Rules With Conflicting Actions

If the actions are in conflict, however, the switch will apply only the rule with the highest precedence. For example:

```
-> policy condition X source ip 10.10.2.3
-> policy action W priority 5
-> policy action Z minimum bandwidth 10m

-> policy rule Rule1 condition X action W
-> policy rule Rule2 condition X action Z
```

In this case, a source IP address condition may be combined with a priority action or a minimum bandwidth action *but not both at the same time*. Since these actions are in conflict, the rule with the highest precedence will be applied instead. In this case, both rules have the same precedence value (the default, since no precedence is specifically configured). The rule that was configured first (**Rule1**) is considered to have the highest precedence and will be used for the flow. See the [“Policy Action Combinations Table” on page 21-7](#) to identify conflicting actions.

Saving Rules

The **save** option marks the policy rule so that the rule will be captured in an ASCII text file (using the [configuration snapshot](#) command) and saved to the working directory (using the [write memory](#) command or [copy running-config working](#) command). By default, rules are saved.

If the **save** option is removed from a rule, the **qos apply** command may activate the rule for the current session, but the rule will not be saved over a reboot. Typically, the **no save** option is used for temporary policies that you do not want saved in the switch configuration file.

To remove the **save** option from a policy rule, use **no** with the **save** keyword. For example:

```
-> policy rule rule5 no save
```

To reconfigure the rule as saved, use the **policy rule** command with the **save** option. For example:

```
-> policy rule rule5 save
```

For more information about the **configuration snapshot**, **write memory**, and **copy running-config working** commands, see the *OmniSwitch 6800 Switch Management Guide* and the *OmniSwitch CLI Reference Guide*.

For more information about applying rules, see [“Applying the Configuration” on page 21-46](#).

Logging Rules

Logging a rule may be useful for determining the source of firewall attacks. To specify that the switch should log information about flows that match the specified policy rule, use the **policy rule** command with the **log** option. For example:

```
-> policy rule rule5 log
```

To stop the switch from logging information about flows that match a particular rule, use **no** with the **log** keyword. For example:

```
-> policy rule rule5 no log
```

Deleting Rules

To remove a policy rule, use the **no** form of the command.

```
-> no policy rule rule1
```

The rule will be deleted after the next **qos apply**.

Verifying Policy Configuration

To view information about policy rules, conditions, and actions configured on the switch, use the following commands:

show policy condition	Displays information about all pending and applied policy conditions or a particular policy condition configured on the switch. Use the applied keyword to display information about applied conditions only.
show policy action	Displays information about all pending and applied policy actions or a particular policy action configured on the switch. Use the applied keyword to display information about applied actions only.
show policy rule	Displays information about all pending and applied policy rules or a particular policy rule. Use the applied keyword to display information about applied rules only.
show active policy rule	Displays applied policy rules that are active (enabled) on the switch.

When the command is used to show output for all pending and applied policy configuration, the following characters may appear in the display:

character	definition
+	Indicates that the policy rule has been modified or has been created since the last qos apply .
-	Indicates the policy object is pending deletion.
#	Indicates that the policy object differs between the pending/applied objects.

For example:

```
-> show policy rule
      Policy
my_rule      cli      0  Yes  Yes  No  No  No  Yes
Cnd/Act:    cond5 -> action2

+my_rule5    cli      0  Yes  No   No  No  No  Yes
Cnd/Act:    cond2 -> pri2

mac1        cli      0  Yes  No   No  No  No  Yes
Cnd/Act:    dmacl -> pri2
```

The above display indicates that **my_rule** is inactive and is not used to classify traffic on the switch (the Inact field displays **Yes**). The rule **my_rule5** has been configured since the last **qos apply** command was entered, as indicated by the plus (+) sign. The rule will not be used to classify traffic until the next **qos apply**. Only **mac1** is actively being used on the switch to classify traffic.

To display only policy rules that are active (enabled and applied) on the switch, use the **show active policy rule** command. For example:

```
-> show active policy rule

          Policy          From Prec  Enab Inact Refl Log Save  Matches
mac1      cli 0      Yes No    No  No  Yes   0
Cnd/Act:  dmacl -> pri2
```

In this example, the rule **my_rule** does not display because it is inactive. Rules are inactive if they are administratively disabled through the **policy rule** command, or if the rule cannot be enforced by the current hardware. Although **my_rule5** is administratively active, it is still pending and not yet applied to the configuration. Only **mac1** is displayed here because it is active on the switch.

See the *OmniSwitch CLI Reference Guide* for more information about the output of these commands.

Testing Conditions

Before applying policies to the configuration through the **qos apply** command, you may want to see how the policies will be used to classify traffic. Or you may want to see how theoretical traffic would be classified by policies that are already applied on the switch.

Use the **show policy classify** commands to see how the switch will classify certain condition parameters. This command is used to examine the set of pending policies only. Use the **applied** keyword with the command to examine the applied set of policies only. The command includes a keyword (**l2**, **l3**, **multicast**) to indicate whether the Layer 2, Layer 3, or multicast classifier should be used to classify the traffic.

The keywords used with these commands are similar to the keywords used for the **policy condition** command. The keyword should be relevant to the type of traffic as listed in the table here:

show policy classify l2	show policy classify l3	
source port	source port	destination port
destination port	destination port	destination mac
source mac	source ip	destination vlan (multicast only)
destination mac	destination ip	destination ip
source vlan	ip protocol	
	source ip port	
	destination ip port	
	tos	
	dscp	

To test a theoretical condition against the set of pending policies, enter the command and the relevant keyword and value. The switch will display information about the potential traffic and attempt to match it to a policy (pending policies only). For example:

```
-> show policy classify l2 destination mac 08:00:20:d1:6e:51
Packet headers:
L2:
 *Port          :          0/0      ->    0/0
 *IfType        :          any     ->    any
 *MAC           :    000000:000000  ->    080020:D1E51
 *VLAN          :          0       ->    0
 *802.1p       :  0
L3/L4:
 *IP            :    0.0.0.0      ->    0.0.0.0
 *TOS/DSCP     :  0/0

Using pending l2 policies
Classify L2 Destination:
 *Matches rule 'yuba': action pri3 (accept)
```



```
Classify L2 Source:
 *No rule matched: (accept)
```

The display shows Layer 2 or Layer 3 information, depending on what kind of traffic you are attempting to classify. In this example, the display indicates that the switch found a rule, **yuba**, to classify destination traffic with the specified Layer 2 information.

To test a theoretical condition against the set of applied policies, enter the command with the **applied** keyword. The switch will display information about the potential traffic and attempt to match it to a policy (applied policies only). For example:

```
-> show policy classify l3 applied source ip 143.209.92.131 destination ip
198.60.82.5
```

```
Packet headers:
```

```
L2:
 *Port          :          0/0    ->    0/0
 *IfType        :          any    ->    any
 *MAC           :    000000:000000 ->    000000:000000
 *VLAN          :          0      ->    0
 *802.1p        :    0
L3/L4:
 *IP            :    143.209.92.131 ->    198.60.82.5
 *TOS/DSCP      :    0/0
```

```
Using applied l3 policies
```

```
Classify L3:
 *Matches rule 'r1': action a1 (drop)
```

In this example, the display indicates that the switch found an applied rule, **r1**, to classify Layer 3 flows with the specified source and destination addresses.

To activate any policy rules that have not been applied, use the **qos apply** command. To delete rules that have not been applied (and any other QoS configuration not already applied), use the **qos revert** command. See [“Applying the Configuration” on page 21-46](#).

Using Condition Groups in Policies

Condition groups are made up of multiple IP addresses, MAC addresses, services, or ports to which you want to apply the same action or policy rule. Instead of creating a separate condition for each address, etc., create a condition group and associate the group with a condition. Groups are especially useful when configuring filters, or Access Control Lists (ACLs); they reduce the number of conditions and rules that must be entered. For information about setting up ACLs, see [Chapter 22, “Configuring ACLs.”](#)

Commands used for configuring condition groups include the following:

```
policy network group
policy service group
policy mac group
policy port group
```

ACLs

Access Control Lists (ACLs) typically use condition groups in policy conditions to reduce the number of rules required to filter particular types of traffic. For more information about ACLs, see [Chapter 22, “Configuring ACLs.”](#)

Sample Group Configuration

- 1 Create the group and group entries. In this example, a network group is created:

```
-> policy network group netgroup1 10.10.5.1 10.10.5.2
```

- 2 Attach the group to a policy condition. For more information about configuring conditions, see [“Creating Policy Conditions” on page 21-25.](#)

```
-> policy condition cond3 source network group netgroup1
```

Note. (Optional) Use the **show policy network group** command to display information about the network group. Each type of condition group has a corresponding show command. For example:

```
-> show policy network group
Group Name:          From      Entries
Switch              blt      4.0.1.166
                   10.0.1.166

+netgroup1          cli      10.10.5.1/255.255.255.0
                   10.10.5.2/255/255/255.0
```

See the *OmniSwitch CLI Reference Guide* for more information about the output of this display. See [“Verifying Condition Group Configuration” on page 21-42](#) for more information about using **show** commands to display information about condition groups.

3 Attach the condition to a policy rule. (For more information about configuring rules, see “[Creating Policy Rules](#)” on page 21-27.) In this example, action **act4** has already been configured. For example:

```
-> policy rule my_rule condition cond3 action act4
```

4 Apply the configuration. See “[Applying the Configuration](#)” on page 21-46 for more information about this command.

```
-> qos apply
```

The next sections describe how to create groups in more detail.

Creating Network Groups

Use network policy groups for policies based on IP source or destination address. The policy condition will specify whether the network group is a source network group, destination network group, or multi-cast network group.

- **Default switch group**—Note that by default the switch contains a network group called **switch** that includes all IP addresses configured for the switch itself. This network group may also be used in policy conditions.
- **ACLs**—Typically network groups are used for Access Control Lists. For more information about ACLs, see [Chapter 22, “Configuring ACLs.”](#)

To create a network policy group, use the **policy network group** command. Specify the name of the group and the IP address(es) to be included in the group. Each IP address should be separated by a space. A mask may also be specified for an address. If a mask is not specified, the address is assumed to be a host address.

Note. Network group configuration is not active until the **qos apply** command is entered.

In this example, a policy network group called **netgroup2** is created with two IP addresses. No mask is specified, so the IP addresses are assumed to be host addresses.

```
-> policy network group netgroup2 10.10.5.1 10.10.5.2
```

In the next example, a policy network group called **netgroup3** is created with two IP addresses. The first address also specifies a mask.

```
-> policy network group netgroup3 173.21.4.39 mask 255.255.255.0 10.10.5.3
```

In this example, the 173.201.4.39 address is subnetted, so that any address in the subnet will be included in the network group. For the second address, 10.10.5.3, a mask is not specified; the address is assumed to be a host address.

The network group may then be associated with a condition through the **policy condition** command. The network group must be specified as a **source network group** or **destination network group**. In this example, **netgroup3** is configured for condition **c4** as source network group:

```
-> policy condition c4 source network group netgroup3
```

To remove addresses from a network group, use **no** and the relevant address(es). For example:

```
-> policy network group netgroup3 no 173.21.4.39
```

This command deletes the 173.21.4.39 address from **netgroup3** after the next **qos apply**.

To remove a network group from the configuration, use the **no** form of the **policy network group** command with the relevant network group name. The network group must not be associated with any policy condition or action. For example:

```
-> no policy network group netgroup3
```

If the network group is not currently associated with any condition or action, the network group **netgroup3** is deleted from the configuration after the next **qos apply**.

If a condition or an action is using **netgroup3**, the switch will display an error message similar to the following:

```
ERROR: netgroup3 is being used by condition 'c4'
```

In this case, remove the network group from the condition first, then enter the **no** form of the **policy network group** command. For example:

```
-> policy condition c4 no source network group
-> no policy network group netgroup3
```

The **policy condition** command removes the network group from the condition. (See [“Creating Policy Conditions” on page 21-25](#) for more information about configuring policy conditions.) The network group will be deleted at the next **qos apply**.

Creating Services

Policy services are made up of TCP or UDP ports or port ranges. They include source or destination ports, or both, but the ports must be the same type (TCP *or* UDP). Mixed port types cannot be included in the same service.

Policy services may be associated with policy service groups, which are then associated with policy conditions; or they may be directly associated with policy conditions.

To create a service, use the **policy service** command. With this command, there are two different methods for configuring a service. You can specify the protocol and the IP port; or you can use shortcut keywords. The following table lists the keyword combinations:

Procedure	Keywords	Notes
Basic procedure for either TCP or UDP service	protocol source ip port destination ip port	<i>The protocol must be specified with at least one source or destination port.</i>
Shortcut for TCP service	source tcp port destination tcp port	<i>Keywords may be used in combination.</i>
Shortcut for UDP service	source udp port destination udp port	<i>Keywords may be used in combination.</i>

An IP protocol (TCP or UDP), source IP port and/or destination IP port (or port range) must be associated with a service. IP port numbers are well-known port numbers defined by the IANA. For example, port numbers for FTP are 20 and 21; Telnet is 23.

In this example, a policy service called **telnet1** is created with the TCP protocol number (**6**) and the well-known Telnet destination port number (**23**).

```
-> policy service telnet1 protocol 6 destination ip port 23
```

A shortcut for this command replaces the **protocol** and **destination ip port** keywords with **destination tcp port**:

```
-> policy service telnet1 destination tcp port 23
```

In the next example, a policy service called **ftp2** is created with port numbers for FTP (20 and 21):

```
-> policy service ftp2 protocol 6 source ip port 20-21 destination ip port 20
```

A shortcut for this command replaces the **protocol**, **source ip port**, and **destination ip port** keywords with **source tcp port** and **destination tcp port**:

```
-> policy service ftp2 source tcp port 20-21 destination tcp port 20
```

Multiple services created through the **policy service** command may be associated with a policy service group; or, individual services may be configured for a policy condition. If you have multiple services to associate with a condition, configure a service group and attach it to a condition. Service groups are described in [“Creating Service Groups” on page 21-37](#).

Note. Service configuration is not active until the **qos apply** command is entered.

To remove a policy service, enter the **no** form of the command.

```
-> no policy service ftp2
```

The **ftp2** service is deleted from the configuration at the next **qos apply** if the service is not currently associated with a policy condition or a service group.

Creating Service Groups

Service groups are made up of policy services. First configure the policy service, then create the service group which includes the policy service(s).

Use the **policy service group** command. For example:

```
-> policy service group serv_group telnet1 ftp2
```

In this example, a policy service group called **serv_group** is created with two policy services (**telnet1** and **ftp2**). The policy services were created with the **policy service** command. (See [“Creating Services” on page 21-36](#) for information about configuring policy services.)

Note. The policy service group can include only services with all source ports, all destination ports, or all source and destination ports. For example, the group cannot include a service that specifies a source port and another service that specifies a destination port.

The service group may then be associated with a condition through the **policy condition** command. For example:

```
-> policy condition c6 service group serv_group
```

This command configures a condition called **c6** with service group **serv_group**. All of the services specified in the service group will be included in the condition. (For more information about configuring conditions, see [“Creating Policy Conditions” on page 21-25.](#))

Note. Service group configuration must be specifically applied to the configuration with the **qos apply** command.

To delete a service from the service group, use **no** with the relevant service name. For example:

```
-> policy service group serv_group no telnet1
```

In this example, the service **telnet1** is removed from policy service group **serv_group**.

To delete a service group from the configuration, use the **no** form of the **policy service group** command. The service group must not be associated with any condition. For example:

```
-> no policy service group serv_group
```

Service group **serv_group** will be deleted at the next **qos apply**. If **serv_group** is associated with a policy condition, an error message will display instead. For example:

```
ERROR: serv_group is being used by condition 'c6'
```

In this case, remove the service group from the condition first; then enter the **no policy service group** command. For example:

```
-> policy condition c6 no service group
-> no policy service group serv_group
```

The **policy condition** command removes the service group from the policy condition. (See [“Creating Policy Conditions” on page 21-25](#) for more information about configuring policy conditions.) The service group will be deleted at the next **qos apply**.

Creating MAC Groups

MAC groups are made up of multiple MAC addresses that you want to attach to a condition.

To create a MAC group, use the **policy mac group** command.

For example:

```
-> policy mac group macgrp2 08:00:20:00:00:00 mask ff:ff:ff:00:00:00
00:20:DA:05:f6:23
```

This command creates MAC group **macgrp2** with two MAC addresses. The first address includes a MAC address mask, so that any MAC address starting with 08:00:20 will be included in **macgrp2**.

The MAC group may be then be associated with a condition through the **policy condition** command. Note that the policy condition specifies whether the group should be used for *source* or *destination*. For example:

```
-> policy condition cond3 source mac group macgrp2
```

This command creates a condition called **cond3** that may be used in a policy rule to classify traffic by source MAC addresses. The MAC addresses are specified in the MAC group. For more information about configuring conditions, see [“Creating Policy Conditions” on page 21-25.](#)

Note. MAC group configuration is not active until the **qos apply** command is entered.

To delete addresses from a MAC group, use **no** and the relevant address(es):

```
-> policy mac group macgrp2 no 08:00:20:00:00:00
```

This command specifies that MAC address 08:00:20:00:00:00 will be deleted from **macgrp2** at the next **qos apply**.

To delete a MAC group, use the **no** form of the **policy mac group** command with the relevant MAC group name. The group must not be associated with any policy condition. For example:

```
-> no policy mac group macgrp2
```

MAC group **macgrp2** will be deleted at the next **qos apply**. If **macgrp2** is associated with a policy condition, an error message will display instead:

```
ERROR: macgrp2 is being used by condition 'cond3'
```

In this case, remove the MAC group from the condition first; then enter the **no policy mac group** command. For example:

```
-> policy condition cond3 no source mac group
-> no policy mac group macgrp2
```

The **policy condition** command removes the MAC group from the condition. See [“Creating Policy Conditions” on page 21-25](#) for more information about configuring policy conditions. The MAC group will be deleted at the next **qos apply**.

Creating Port Groups

Port groups are made up of slot and port number combinations. Note that there are many built-in port groups, one for each slot on the switch. Built-in port groups are subdivided by slice. The built in groups are named by slot (**Slot01**, **Slot02**, etc.). To view the built-in groups, use the **show policy port group** command.

To create a port group, use the **policy port group** command. For example:

```
-> policy port group techpubs 2/1 3/1 3/2 3/3
```

The port group may then be associated with a condition through the **policy condition** command. Note that the policy condition specifies whether the group should be used for *source* or *destination*. For example:

```
-> policy condition cond4 source port group techpubs
```

This command creates a condition called **cond4** that may be used in a policy rule to classify traffic by source port number. The port numbers are specified in the port group. For more information about configuring conditions, see [“Creating Policy Conditions” on page 21-25](#).

Note. Port group configuration is not active until the **qos apply** command is entered.

To delete ports from a port group, use **no** and the relevant port number(s).

```
-> policy port group techpubs no 2/1
```

This command specifies that port 2/1 will be deleted from the **techpubs** port group at the next **qos apply**.

To delete a port group, use the **no** form of the **policy port group** command with the relevant port group name. The port group must not be associated with any policy condition. For example:

```
-> no policy port group techpubs
```

The port group **techpubs** will be deleted at the next **qos apply**. If **techpubs** is associated with a policy condition, an error message will display instead:

```
ERROR: techpubs is being used by condition 'cond4'
```

In this case, remove the port group from the condition first; then enter the **no policy port group** command. For example:

```
-> policy condition cond4 no source port group
-> no policy port group techpubs
```

The **policy condition** command removes the port group from the policy condition. (See “[Creating Policy Conditions](#)” on page 21-25 for more information about configuring policy conditions.) The port group will be deleted at the next **qos apply**.

Port Groups and Minimum/Maximum Bandwidth

Minimum/maximum bandwidth policies are applied to source (ingress) ports and port groups on a per-port basis. For example, if a policy specifies a maximum bandwidth value of 10K, each port in the group will use this value as its maximum bandwidth.

Although destination (egress) ports and port groups may be specified within a policy, the maximum bandwidth value is not effected on these ports. To limit the bandwidth on egress ports, use the **qos port maximum bandwidth** command. For example,

```
-> qos port 1/1 maximum bandwidth 10k
```

Note the following regarding minimum/maximum bandwidth policies:

- Minimum bandwidth policy rules have the highest precedence of all rules and cannot be overridden.
- Defining a minimum bandwidth value implies a maximum bandwidth that is of the same value.
- Policy-based ingress bandwidth limiting is done using a granularity of 64K bps.
- Egress bandwidth limiting defined using the **qos port maximum bandwidth** command is done using a granularity of 1M bps.

The following subsections provide examples of maximum bandwidth policies using both source and destination port groups.

Source Port Group Example

In the following example, a port group (**pgroup**) is created with two ports and attached to a policy condition (**Ports**). A policy action with maximum bandwidth is created (**MaxBw**). The policy condition and policy action are combined in a policy rule called **PortRule**.

```
-> policy port group pgroup 1/1-2
-> policy condition Ports source port group pgroup
-> policy action MaxBw maximum bandwidth 10k
-> policy rule PortRule condition Ports action MaxBw
```

In this example, if both ports 1 and 2 are active ports, 10000 bps is sent over each port.

Destination Port Group Examples

In the following example, a port group (**pgroup2**) is created with several ports and attached to a policy condition (**Ports2**). A policy action with maximum bandwidth is created (**MaxBw**). The policy condition and policy action are combined in a policy rule called **PortRule2**.

```
-> policy port group pgroup2 1/1 1/25 2/1
-> policy condition Ports2 destination port group pgroup2
-> policy action MaxBw maximum bandwidth 10k
-> policy rule PortRule2 condition Ports2 action MaxBw
```

The maximum traffic received by a destination port is unpredictable and is affected by how many source ports are sending traffic to the destination port. However, each source port in the above example is restricted to sending only 10k to any of the specified destination ports.

Verifying Condition Group Configuration

To display information about condition groups, use the following **show** commands:

show policy network group	Displays information about all pending and applied policy network groups or a particular network group. Use the applied keyword to display information about applied groups only.
show policy service	Displays information about all pending and applied policy services or a particular policy service configured on the switch. Use the applied keyword to display information about applied services only.
show policy service group	Displays information about all pending and applied policy service groups or a particular service group. Use the applied keyword to display information about applied groups only.
show policy mac group	Displays information about all pending and applied MAC groups or a particular policy MAC group configured on the switch. Use the applied keyword to display information about applied groups only.
show policy port group	Displays information about all pending and applied policy port groups or a particular port group. Use the applied keyword to display information about applied groups only.

See the *OmniSwitch CLI Reference Guide* for more information about the syntax and output for these commands.

When the command is used to show output for all pending and applied condition groups, the following characters may appear in the display:

character	definition
+	Indicates that the policy rule has been modified or has been created since the last qos apply .
-	Indicates the policy object is pending deletion.
#	Indicates that the policy object differs between the pending/applied objects.

In the example shown here, **netgroup1** is a new network group that has not yet been applied to the configuration.

```
-> show policy network group
Group Name:          From    Entries
Switch              b1t    4.0.1.166
                   10.0.1.166
                   143.209.92.166
                   192.85.3.1

+netgroup1          cli    143.209.92.0/255.255.255.0
                   172.28.5.0/255/255/255.0
```

When the **qos apply** command is entered, the plus sign (+) will be removed from **netgroup1** in the display. See [“Applying the Configuration” on page 21-46](#) for more information about the **qos apply** command.

Using Map Groups

Map groups are used to map 802.1p, ToS, or DSCP values to different values. The following mapping scenarios are supported:

- 802.1p to 802.1p, based on Layer 2, Layer 3, and Layer 4 parameters and source/destination slot/port. In addition, 802.1p classification can trigger this action.
- ToS or DSCP to 802.1p, based on Layer 3 and Layer 4 parameters and source/destination slot/port. In addition ToS or DSCP classification can trigger this action.

Note. Map groups are associated with a policy *action*.

Commands used for creating map groups include the following:

policy map group
policy action map

Sample Map Group Configuration

1 Create the map group with mapping values. For detailed information about map groups and how to set them up, see [“How Map Groups Work” on page 21-44](#) and [“Creating Map Groups” on page 21-44](#).

```
-> policy map group tosGroup 1-2:5 4:5 5-6:7
```

2 Attach the map group to a policy action. See [“Creating Policy Actions” on page 21-26](#) for more information about creating policy actions.

```
-> policy action tosMap map tos to 802.1p using tosGroup
```

Note. (Optional) Use the **show policy map group** command to verify the map group.

```
-> show policy map group
Group Name          From  Entries
+tosGroup           cli  1-2:5
                   4:5
                   5-6:7
```

For more information about this command, see [“Verifying Map Group Configuration” on page 21-45](#) and the *OmniSwitch CLI Reference Guide*.

3 Attach the action to a policy rule. In this example, the condition **Traffic** is already configured. For more information about configuring rules, see [“Creating Policy Rules” on page 21-27](#).

```
-> policy rule r3 condition Traffic action tosMap
```

4 Apply the configuration. For more information about this command, see [“Applying the Configuration” on page 21-46](#).

```
-> qos apply
```

How Map Groups Work

When mapping from 802.1p to 802.1p, the action will result in remapping the specified values. Any values that are not specified in the map group are preserved. In this example, a map group is created for 802.1p bits.

```
-> policy map group Group2 1-2:5 4:5 5-6:7
-> policy action Map1 map 802.1p to 802.1p using Group2
```

The *to* and *from* values are separated by a colon (:). If traffic with 802.1p bits comes into the switch and matches a policy that specifies the **Map1** action, the bits will be remapped according to **Group2**. If the incoming 802.1p value is 1 or 2, the value will be mapped to 5. If the incoming 802.1p value is 3, the outgoing value will be 3 (the map group does not specify any mapping for a value of 3). If the incoming 802.1p value is 4, the value will be mapped to 5. If the incoming 802.1p value is 5 or 6, the value will be mapped to 7.

When mapping to a different type of value, however (ToS/DSCP to 802.1p), any values in the incoming flow that matches the rule but that are not included in the map group will be zeroed out. For example, the following action specifies the same map group but instead specifies mapping 802.1p to ToS:

```
-> policy action Map2 map tos to 802.1p using Group2
```

In this case, if ToS traffic comes into the switch and matches a policy that specifies the **Map2** action, the ToS value will be mapped according to **Group2** if the value is specified in **Group2**. If the incoming ToS value is 2, the value will be mapped to 5; however, if the incoming value is 3, the switch will map the value to zero because there is no mapping in **Group2** for a value of 3.

Note. Ports on which the flow is mapped must be a trusted port; otherwise the flow will be dropped.

Creating Map Groups

To create a map group, use the **policy action map** command. For example, to create a map group called **tosGroup**, enter:

```
-> policy map group tosGroup 1-2:5 4:5 5-6:7
```

The *to* and *from* values are separated by a colon (:). For example, a value of 2 will be mapped to 5.

Note. Map group configuration is not active until the **qos apply** command is entered.

The remapping group may then be associated with a rule through the **policy action** command. In this example, a policy condition called **Traffic** has already been configured.

```
-> policy action tosMap map tos to 802.1p using tosGroup
-> policy rule r3 condition Traffic action tosMap
```

To delete mapping values from a group, use **no** and the relevant values:

```
-> policy map group tosGroup no 1-2:4
```

The specified values will be deleted from the map group at the next **qos apply**.

To delete a map group, use the **no** form of the **policy map group** command. The map group must not be associated with a policy action. For example:

```
-> no policy map group tosGroup
```

If **tosGroup** is currently associated with an action, an error message similar to the following will display:

```
ERROR: tosGroup is being used by action 'tosMap'
```

In this case, remove the map group from the action, then enter the **no policy map group** command:

```
-> policy action tosMap no map group
-> no policy map group tosGroup
```

The map group will be deleted at the next **qos apply**.

Note. For Layer 2 flows, you cannot have more than one action that maps DSCP.

Verifying Map Group Configuration

To display information about all map groups, including all pending and applied map groups, use the **show policy map group** command. To display only information about applied map groups, use the **applied** keyword with the command. For more information about the output of this command, see the *OmniSwitch CLI Reference Guide*.

When the command is used to show output for all pending and applied condition groups, the following characters may appear in the display:

character	definition
+	Indicates that the policy rule has been modified or has been created since the last qos apply .
-	Indicates the policy object is pending deletion.
#	Indicates that the policy object differs between the pending/applied objects.

In the example here, a new map group, **tosGroup**, has not yet been applied to the configuration.

```
-> show policy map group
Group Name          From  Entries
+tosGroup           cli   1-2:5
                   4:5
                   5-6:7
```

When the **qos apply** command is entered, the plus sign (+) will be removed from **tosGroup** in the display. See [“Applying the Configuration” on page 21-46](#) for more information about the **qos apply** command.

Applying the Configuration

Configuration for policy rules and many global QoS parameters must specifically be applied to the configuration with the **qos apply** command. Any parameters configured without this command are maintained for the current session but are not yet activated. For example, if you configure a new policy rule through the **policy rule** command, the switch cannot use it to classify traffic and enforce the policy action until the **qos apply** command is entered. For example:

```
-> policy rule my_rule condition c4 action a5
-> qos apply
```

The **qos apply** command must be included in an ASCII text configuration file when QoS commands are included. The command should be included after the last QoS command.

When the configuration is not yet applied, it is referred to as the *pending configuration*.

Global Commands. Many global QoS commands are active immediately on the switch *without qos apply*. *The settings configured by these commands will be active immediately.* Other global commands must specifically be applied. The commands are listed in the following table:

Global Commands That Take Effect Immediately	Global Commands That Must Be Applied
qos qos forward log qos log console qos log lines qos log level debug qos qos trust ports qos stats interval qos revert qos flush qos reset	qos default bridged disposition qos default routed disposition qos default multicast disposition

Port and Policy Commands. All port parameters and policy parameters must be applied with the **qos apply** command.

Port and Policy Commands	
qos port policy condition policy action policy rule policy network group	policy service policy service group policy mac group policy port group policy map group

The pending configuration is useful for reviewing policy rules before actually applying them to the switch. The **show policy classify** commands may be used to review information about new conditions before they are applied on the switch. See [“Testing Conditions” on page 21-32](#).

Applied policy rules may also be administratively disabled (inactive). If a rule is administratively disabled, the rule will exist in the applied configuration but will not be used to classify flows. For more information about disabling/re-enabling a policy rule, see [“Creating Policy Rules” on page 21-27](#).

Deleting the Pending Configuration

Policy settings that have been configured but not applied through the **qos apply** command may be returned to the last applied settings through the **qos revert** command. For example:

```
-> qos revert
```

This command ignores any pending policies (any additions, modifications, or deletions to the policy configuration since the last **qos apply**) and writes the last applied policies to the pending configuration. At this point, the pending policies are the same as the last applied policies.

In this example, there are two new pending policies and three applied policies:

Pending Policies	Applied Policies
rule5	rule1
rule6	rule2
	rule3

If you enter **qos revert**, the configuration will then look like:

Pending Policies	Applied Policies
rule1	rule1
rule2	rule2
rule3	rule3

Flushing the Configuration

In some cases, you may want to remove all of your rules and start over again. To completely erase pending policies from the configuration, use the **qos flush** command. For example:

```
-> qos flush
```

If you then enter **qos apply**, all policy information will be deleted.

In this example, there are two new pending policies and three applied policies:

Pending Policies	Applied Policies
rule5	rule1
rule6	rule2
	rule3

If you enter **qos flush**, the configuration will then look like:

Pending Policies	Applied Policies
	rule1
	rule2
	rule3

In this scenario, you can do one of two things. To write the applied policies back to the pending configuration, use **qos revert**. Or, to delete all policy rule configuration, enter **qos apply**. If **qos apply** is entered, the empty set of pending policies will be written to the applied policies and all policy rule configuration will be deleted.

Interaction With LDAP Policies

The **qos apply**, **qos revert**, and **qos flush** commands do not affect policies created through the Policy-View application. Separate commands are used for loading and flushing LDAP policies on the switch. See [Chapter 17, “Managing Authentication Servers,”](#) for information about managing LDAP policies.

Verifying the Applied Policy Configuration

The policy **show** commands have an optional keyword (**applied**) to display only applied policy objects. These commands include:

show policy condition	Displays information about all pending and applied policy conditions or a particular policy condition configured on the switch. Use the applied keyword to display information about applied conditions only.
show policy action	Displays information about all pending and applied policy actions or a particular policy action configured on the switch. Use the applied keyword to display information about applied actions only.
show policy rule	Displays information about all pending and applied policy rules or a particular policy rule. Use the applied keyword to display information about applied rules only.
show policy network group	Displays information about all pending and applied policy network groups or a particular network group. Use the applied keyword to display information about applied groups only.
show policy service	Displays information about all pending and applied policy services or a particular policy service configured on the switch. Use the applied keyword to display information about applied services only.
show policy service group	Displays information about all pending and applied policy service groups or a particular service group. Use the applied keyword to display information about applied groups only.
show policy mac group	Displays information about all pending and applied MAC groups or a particular policy MAC group configured on the switch. Use the applied keyword to display information about applied groups only.
show policy port group	Displays information about all pending and applied policy port groups or a particular port group. Use the applied keyword to display information about applied groups only.
show policy map group	Displays information about all pending and applied policy map groups or a particular map group. Use the applied keyword to display information about applied groups only.
show policy classify	Sends Layer 2, Layer 3, or multicast information to the classifier to see how the switch will handle the packet. Use the applied keyword to examine only applied conditions.

For more information about these commands, see the *OmniSwitch CLI Reference Guide*.

Policy Applications

Policies are used to classify incoming flows and treat the relevant outgoing flows. There are many ways to classify the traffic and many ways to apply QoS parameters to the traffic.

Classifying traffic may be as simple as identifying a Layer 2 or Layer 3 address of an incoming flow. Treating the traffic might involve prioritizing the traffic or rewriting an IP address. How the traffic is treated (the *action* in the policy rule) typically defines the type of policy:

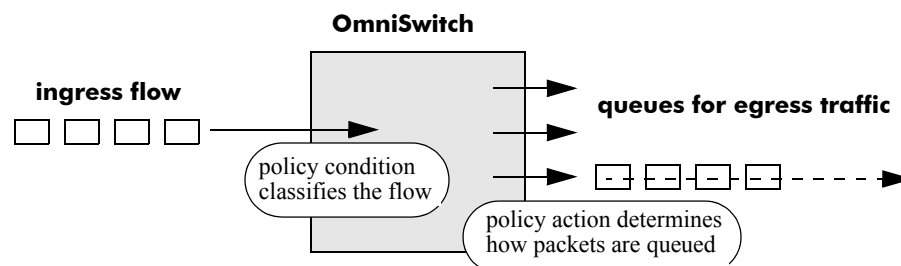
Type of Policy	Description	Action Parameters Used
Basic QoS policies	Prioritizes particular flows, and/or shapes the bandwidth for the flow	minimum bandwidth maximum bandwidth priority
ICMP policies	Filters, prioritizes, and/or rate limits ICMP traffic	disposition priority minimum bandwidth maximum bandwidth
802.1p, ToS, and DSCP tagging or mapping policies	Sets or resets the egress 802.1p, ToS, or DSCP values	802.1p tos dscp map group
Access Control Lists (ACLs)	Groups of policies rules used for filtering traffic (allow/deny)	disposition

This section describes how to configure basic QoS policies and 802.1p/ToS/DSCP marking and mapping policies. Policies used for Layer 2 and Layer 3/4 filters, are commonly referred to as Access Control Lists (ACLs). Filtering is discussed in [Chapter 22, “Configuring ACLs.”](#)

Policies may also be used for prioritizing traffic in dynamic link aggregation groups. For more information about dynamic link aggregates, see [Chapter 11, “Configuring Dynamic Link Aggregation.”](#)

Basic QoS Policies

Traffic prioritization and bandwidth shaping may be the most common types of QoS policies. For these policies, any condition may be created; the policy action indicates how the traffic should be prioritized or how the bandwidth should be shaped.



Note. If multiple addresses, services, or ports should be given the same priority, use a policy condition group to specify the group and associate the group with the condition. See [“Using Condition Groups in Policies” on page 21-34](#) for more information about groups.

Note that some condition parameters may be used in combination only under particular circumstances; also, there are restrictions on condition/action parameter combinations. See [“Using Condition Groups in Policies” on page 21-34](#) and [“Condition Combinations” on page 21-6](#).

Basic Commands

The following **policy action** commands are used for traffic prioritization or shaping:

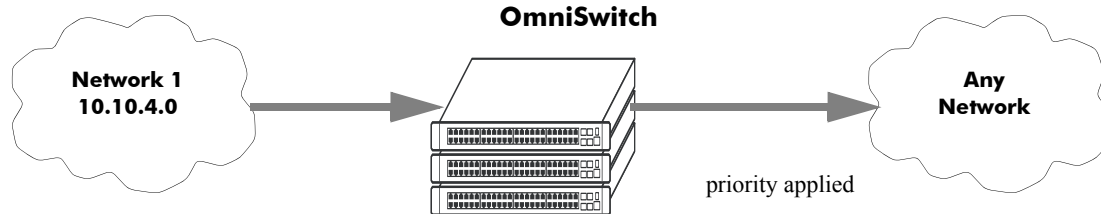
policy action priority
policy action minimum bandwidth
policy action maximum bandwidth

To set up traffic prioritization and/or bandwidth shaping, follow the steps in the next section. For more information about command syntax and options, see the *OmniSwitch CLI Reference Guide*.

Note that QoS ports may also be configured for bandwidth shaping through the **qos port** commands.

Traffic Prioritization Example

In this example, IP traffic is routed from the 10.10.4.0 network through the OmniSwitch.



To create a policy rule to prioritize the traffic from Network 1, first create a condition for the traffic that you want to prioritize. In this example, the condition is called **ip_traffic**. Then create an action to prioritize the traffic as highest priority. In this example, the action is called **high**. Combine the condition and the action into a policy rule called **rule1**.

```
-> policy condition ip_traffic source ip 10.10.4.0 mask 255.255.255.0
-> policy action high priority 7
-> policy rule rule1 condition ip_traffic action high
```

The rule is not active on the switch until the **qos apply** command is entered on the command line. When the rule is activated, any flows coming into the switch from 10.10.4.0 will be given the highest priority.

Bandwidth Shaping Example

In this example, a specific flow from a source IP address is sent to a queue that will support its maximum bandwidth requirement.

First, create a condition for the traffic. In this example, the condition is called **ip_traffic2**. A policy action (**flowShape**) is then created to enforce a maximum bandwidth requirement for the flow.

```
-> policy condition ip_traffic2 source ip 10.10.5.3
-> policy action flowShape maximum bandwidth 1k
-> policy rule rule2 condition traffic2 action flowShape
```

Note that the bandwidth may be specified in abbreviated units, in this case, **1k**.

The rule is not active on the switch until the **qos apply** command is entered. When the rule is activated, any flows coming into the switch from source IP address 10.10.5.3 will be queued with no more than 1k of bandwidth.

ICMP Policy Example

Policies may be configured for ICMP on a global basis on the switch. ICMP policies may be used for security (for example, to drop traffic from the ICMP blaster virus).

In the following example, a condition called **icmpCondition** is created with no other condition parameters:

```
-> policy condition icmpCondition ip protocol 1
-> policy action icmpAction disposition deny
-> policy rule icmpRule condition icmpCondition action icmpAction
```

This policy (**icmpRule**) drops all ICMP traffic. To limit the dropped traffic to ICMP echo requests (pings) and/or replies, use the **policy condition icmptype** to specify the appropriate condition. For example,

```
-> policy condition echo icmptype 8
-> policy condition reply icmptype 0
```

802.1p and ToS/DSCP Marking and Mapping

802.1p values may be mapped to different 802.1p values on an individual basis or by using a map group. In addition, ToS or DSCP values may be mapped to 802.1p on a case-by-case basis or via a map group. (Note that any other mapping combination is not supported.)

Marking is accomplished with the following commands:

```
policy action 802.1p
policy action tos
policy action dscp
```

Mapping is accomplished through the following commands:

```
policy map group
policy action map
```

Note the following:

- Priority for the flow is based on the policy action. The value specified for 802.1p, ToS, DSCP, or the map group will determine how the flow is queued.
- The port on which the flow arrives (the ingress port) must be a trusted port. For more information about trusted ports, see [“Trusted and Untrusted Ports” on page 21-20](#).

In this example, a policy rule (**marking**) is set up to mark flows from 10.10.3.0 with an 802.1p value of 5:

```
-> policy condition my_condition source ip 10.10.3.0 mask 255.255.255.0
-> policy action my_action 802.1p 5
-> policy rule marking condition my_condition action my_action
```

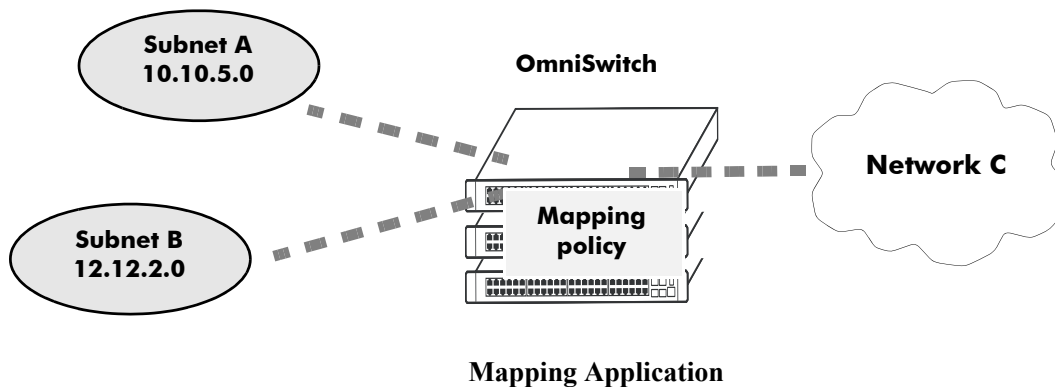
In the next example, the **policy map group** command specifies a group of values that should be mapped; the **policy action map** command specifies what should be mapped (802.1p to 802.1p, ToS/DSCP to 802.1p) and the mapping group that should be used. For more details about creating map groups, see [“Creating Map Groups” on page 21-44](#).

Here, traffic from two different subnets must be mapped to 802.1p values in a network called Network C. A map group (**tosGroup**) is created with mapping values.

```
-> policy map group tos_group 1-4:4 5-7:7
-> policy condition SubnetA source ip 10.10.5.0 mask 255.255.255.0
-> policy condition SubnetB source ip 12.12.2.0 mask 255.255.255.0
-> policy action map_action map tos to 802.1p using tos_group
```

The **map_action** specifies that ToS values will be mapped to 802.1p with the values specified in **tos_group**. With these conditions and action set up, two policy rules can be configured for mapping Subnet A and Subnet B to the ToS network:

```
-> policy rule RuleA condition SubnetA action map_action
-> policy rule RuleB condition SubnetB action map_action
```



22 Configuring ACLs

Access Control Lists (ACLs) are Quality of Service (QoS) policies used to control whether or not packets are allowed or denied at the switch or router interface. ACLs are sometimes referred to as filtering lists.

ACLs are distinguished by the kind of traffic they filter. In a QoS policy rule, the type of traffic is specified in the policy condition. The policy action determines whether the traffic is allowed or denied. For detailed descriptions about configuring policy rules, see [Chapter 21, “Configuring QoS.”](#)

In general, the types of ACLs include:

- *Layer 2 ACLs*—for filtering traffic at the MAC layer. Usually uses MAC addresses or MAC groups for filtering.
- *Layer 3/4 ACLs*—for filtering traffic at the network layer. Typically uses IP addresses or IP ports for filtering; note that IPX filtering is not supported.
- *Multicast ACLs*—for filtering IGMP traffic.

In This Chapter

This chapter describes ACLs and how to configure them through the Command Line Interface (CLI). CLI commands are used in the configuration examples; for more details about the syntax of commands, see the *OmniSwitch CLI Reference Guide*.

Configuration procedures described in this chapter include:

- **Setting the Global Disposition.** The disposition specifies the general allow/deny policy on the switch. See [“Setting the Global Disposition” on page 22-7.](#)
- **Creating Condition Groups for ACLs.** Groups are used for filtering on multiple addresses, ports, or services. The group is then associated with the policy condition. See [“Creating Condition Groups For ACLs” on page 22-8.](#)
- **Creating Policy Rules for ACLs.** Policy rules for ACLs are basically QoS policy rules. Specific parameters for ACLs are described in this chapter. See [“Configuring ACLs” on page 22-8.](#)

ACL Specifications

These specifications are the same as those for QoS in general:

Maximum number of policy rules	1024
Maximum number of policy rules per port	99
Maximum number of policy conditions	2048
Maximum number of policy actions	2048
Maximum number of policy services	256
Maximum number of groups (network, MAC, service, port)	1024
Maximum number of group entries	512 per group

ACL Defaults

The following table shows the defaults for ACLs:

Parameter	Command	Default
Global bridged disposition	qos default bridged disposition	accept
Global routed disposition	qos default routed disposition	accept
Global multicast disposition	qos default multicast disposition	accept
Policy rule disposition	policy rule disposition	accept
Policy rule precedence	policy rule precedence	0 (lowest)

Note that in the current software release, the **deny** and **drop** options produce the same effect; that is, that traffic is silently dropped.

For more information about QoS defaults in general, see [Chapter 21, “Configuring QoS.”](#)

Quick Steps for Creating ACLs

1 Set the global disposition for bridged or routed traffic. By default, all flows that do match any policies are allowed on the switch. Typically, you may want to deny traffic for all Layer 3 flows that come into the switch and do not match a policy, but allow any Layer 2 (bridged) flows that do not match policies. For example:

```
-> qos default routed disposition deny
```

2 Create policy condition groups for multiple addresses or services that you want to filter. (If you have a single address to filter, you can skip this step and simply include the address, service, or port in the policy condition.) An example:

```
-> policy network group NetGroup1 192.68.82.0 mask 255.255.255.0 192.60.83.0
mask 255.255.255.0
```

3 Create a policy condition using the **policy condition** command. If you created a network group, MAC group, service group, or port group, specify the group as part of the condition.

```
-> policy condition Lab3 source network group NetGroup1
```

Note. (*Optional*) Test the condition with the **show policy classify** command using information from the policy condition. For example:

```
-> show policy classify l3 source ip 192.68.82.0
```

This command displays information about whether the indicated parameter may be used to classify traffic based on policies that are configured on the switch. For more information about testing conditions, see [“Testing Conditions” on page 21-32 in Chapter 21, “Configuring QoS.”](#)

4 Create a policy action with the **policy action** command. Use the keyword **disposition** and indicate whether the flow(s) should be accepted or denied.

```
-> policy action Yes disposition accept
```

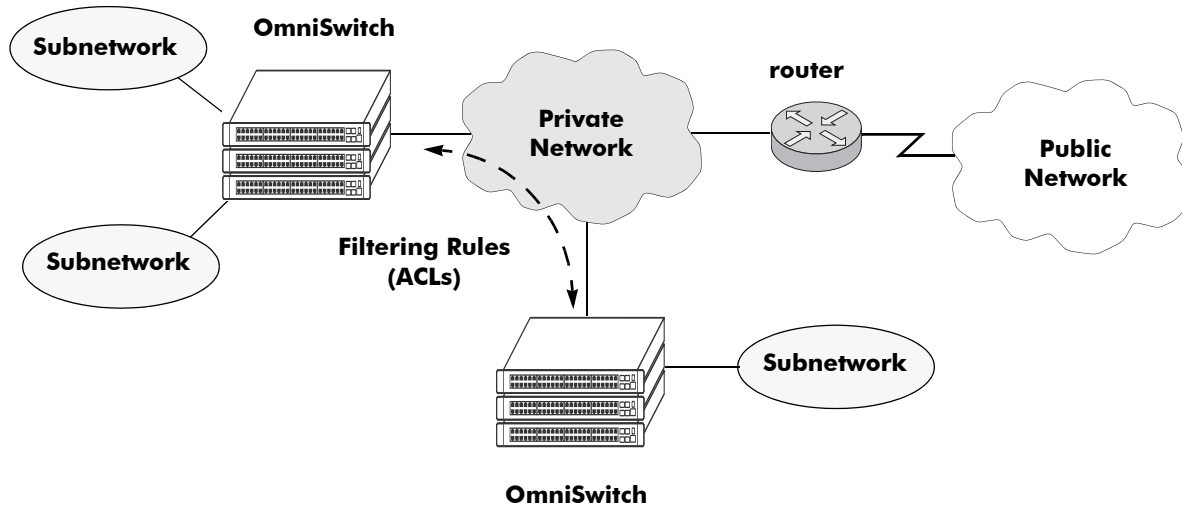
5 Create a policy rule with the **policy rule** command and include the relevant condition and action. Use the keyword **precedence** to specify the priority of this rule over other rules for traffic matching the specified condition.

```
-> policy rule lab_rule1 condition Lab3 action Yes precedence 65535
```

6 Apply the policy configuration using the **qos apply** command. For details about using this command, see [“Applying the Configuration” on page 21-46 in Chapter 21, “Configuring QoS.”](#)

ACL Overview

ACLs provide moderate security between networks. The following illustration shows how ACLs may be used to filter subnetwork traffic through a private network, functioning like an internal firewall for LANs.



Basic ACL Application

When traffic arrives on the switch, the switch checks its policy database to attempt to match Layer 2 or Layer 3/4 information in the protocol header to a filtering policy rule. If a match is found, it applies the relevant *disposition* to the flow. Disposition determines whether a flow is allowed or denied. There is a global disposition (the default is **accept**), and individual rules may be set up with their own dispositions.

Note. In some network situations, it is recommended that the global disposition be set to **deny**, and that rules be created to allow certain types of traffic through the switch. To set the global disposition to deny, use the **qos default bridged disposition** and **qos default routed disposition** commands. See “[Setting the Global Disposition](#)” on page 22-7 for more information about these commands.

When multiple policy rules exist for a particular flow, each policy is applied to the flow as long as there are no conflicts between the policies. If there is a conflict, then the policy with the highest precedence is applied to the flow. See “[Rule Precedence](#)” on page 22-5 for more information about precedence.

Note. QoS policy rules may also be used for traffic prioritization and other network scenarios. For a general discussion of QoS policy rules, see [Chapter 21, “Configuring QoS.”](#)

Rule Precedence

All rules that match a flow will be applied to the flow, unless one of the following rule conflicts occur:

- Actions specified by one or more rules are in conflict with each other.
- Conditions specified in one or more contiguous rules are the same.

If any of the above items are true, then rule precedence is used to determine which rule to apply to the flow. (*This functionality is different from the OmniSwitch 7700/7800/8800, which will always apply the rule with the highest precedence.*)

See the next sections (“[Example: Rules With Compatible Actions](#)” on page 22-5 and “[Example: Rules With Conflicting Actions](#)” on page 22-6) for more information about precedence and Layer 3 flows. Precedence is particularly important for Access Control Lists (ACLs). For more details about precedence and examples for using precedence, see [Chapter 22, “Configuring ACLs.”](#)

How Precedence is Determined

When there is a conflict between rules, precedence is determined using one of the following methods:

- **Precedence value**—Each policy has a precedence value. The value may be user-configured through the [policy rule](#) command in the range from 0 (lowest) to 65535 (highest). (The range 30000 to 65535 is typically reserved for PolicyView.) By default, a policy rule has a precedence of 0.
- **Configured rule order**—If a flow matches more than one rule and both rules have the same precedence value, the rule that was *configured first* in the list will take precedence.

Note. Minimum bandwidth rules have the highest precedence over all other rules in the system. They are enforced internally and cannot be overridden by user-configured settings. In addition, specifying a minimum bandwidth value implies a maximum bandwidth of the same value.

Example: Rules With Compatible Actions

More than one rule may have the same condition. For example, two rules may have the same IP address condition but different actions. If the actions are compatible, both rules will be applied to the flow, regardless of the precedence settings. In this example, the rules are created with the default precedence (0) value.

```
-> policy condition X source ip 10.10.2.3
-> policy action Y priority 7
-> policy action Z maximum bandwidth 10m

-> policy rule Rule1 condition X action Y
-> policy rule Rule2 condition X action Z
```

In this example, when a flow comes into the switch and matches source IP address 10.10.2.3, the switch will apply both policies (**Rule1** and **Rule2**) to the flow. On the OmniSwitch 6800, a source IP address may be combined with priority and maximum bandwidth actions at the same time, so both rules are used.

Note. See [Chapter 21, “Configuring QoS,”](#) for more information about valid condition/action combinations.

Example: Rules With Conflicting Actions

If the actions are in conflict, however, the switch will apply only the rule with the highest precedence. For example:

```
-> policy condition X source ip 10.10.2.3
-> policy action W priority 5
-> policy action Z minimum bandwidth 10m

-> policy rule Rule1 condition X action W
-> policy rule Rule2 condition X action Z
```

In this case, a source IP address condition may be combined with a priority action or a minimum bandwidth action *but not both at the same time* (see [Chapter 21, “Configuring QoS,”](#) for more information about condition/action combinations). Since these actions are in conflict, the rule with the highest precedence will be applied instead. In this case, both rules have the same precedence value (the default, since no precedence is specifically configured). The rule that was configured first (**Rule1**) is considered to have the highest precedence and will be used for the flow.

Interaction With Other Features

- **Routing Protocols**—Layer 3 filtering is compatible with routing protocols on the switch, including RIP and OSPF. If VRRP is also running, all VRRP routers on the LAN must be configured with the same filtering rules; otherwise, the security of the network will be compromised. For more information about VRRP, see [Chapter 16, “Configuring VRRP.”](#)
- **Bridging**—Layer 2 and Layer 3 ACLs are supported for bridged and routed traffic. For information about configuring the switch to classify Layer 3 information in bridged frames, see [“Classifying Bridged Traffic as Layer 3” on page 21-16 in Chapter 21, “Configuring QoS.”](#)

Valid Combinations

There are limitations to the types of conditions that may be combined in a single rule. A brief overview of these limitations is listed here:

- Layer 2 and Layer 4 conditions cannot be combined, unless the Layer 2 condition is for 802.1p. This is the only Layer 2 condition that is allowed in combination with Layer 4 conditions.
- Source and destination parameters can be combined in Layer 2, Layer 3, and Layer 4 conditions.
- Individual items and their corresponding groups cannot be combined in the same condition. For example, a source IP address cannot be included in a condition with a source IP network group.

For more information about supported combinations, see [“Condition Combinations” on page 21-6](#) and [“Action Combinations” on page 21-7](#) in [Chapter 21, “Configuring QoS.”](#)

ACL Configuration Overview

This section describes the QoS CLI commands used specifically to configure ACLs. ACLs are basically a type of QoS policy, and the commands used to configure ACLs are a subset of the switch's QoS commands. For information about basic configuration of QoS policies, see [Chapter 21, "Configuring QoS."](#)

To configure an ACL, the following general steps are required:

- 1 Set the global disposition.** This step is described in ["Setting the Global Disposition" on page 22-7.](#)
- 2 Create a condition for the traffic to be filtered.** This step is described in ["Creating Condition Groups For ACLs" on page 22-8](#) and ["Creating Policy Conditions For ACLs" on page 22-9.](#)
- 3 Create an action to accept or deny the traffic.** This step is described in ["Creating Policy Actions For ACLs" on page 22-9.](#)
- 4 Create a policy rule that combines the condition and the action.** This step is described in ["Creating Policy Rules for ACLs" on page 22-10.](#)

For a quick tutorial on how to configure ACLs, see ["Quick Steps for Creating ACLs" on page 22-3.](#)

Setting the Global Disposition

By default, flows that do not match any policies are accepted on the switch. You may configure the switch to deny any flow that does not match a policy.

Note. Note that the global disposition setting applies to all policy rules on the switch, not just those that are configured for ACLs.

The global commands include:

qos default bridged disposition
qos default routed disposition

To change the global default dispositions, use these commands with the desired disposition value (**accept**, **drop**, or **deny**).

For Layer 3 ACLs, it is recommended that the global dispositions be set to **deny**. For example, the following command drops any routed traffic coming into the switch that does not match a policy:

```
-> qos default routed disposition deny
```

Policies may then be set up to allow routed traffic through the switch.

Note that in the current release of Alcatel's QoS software, the **drop** and **deny** keywords produce the same result (flows are silently dropped; no ICMP message is sent).

For more information about the global disposition commands, see [Chapter 21, "Configuring QoS,"](#) and the *OmniSwitch CLI Reference Guide*.

Important. If you set the global bridged disposition (using the **qos default bridged disposition** command) to **deny** or **drop**, it will result in dropping all traffic from the switch that does not match any policy to accept traffic. You must create policies (one for source and one for destination) to allow traffic on the switch.

If you set the bridged disposition to **deny** or **drop**, and you configure Layer 2 ACLs, you will need two rules for each type of filter. For more information, see [“Layer 2 ACLs” on page 22-10](#).

Creating Condition Groups For ACLs

Condition groups for ACLs are made up of multiple IP addresses, MAC addresses, services, or IP ports to which you want to apply the same disposition. Instead of creating a separate condition for each policy rule, create a condition group and associate the group with the condition. This reduces the number of rules you would have to configure (one for each address, service, or port).

The commands used for creating condition groups include:

- policy network group**
- policy mac group**
- policy service**
- policy service group**
- policy port group**

For example:

```
-> policy network group netgroup2 10.10.5.1 10.10.5.2 10.10.5.3
-> policy condition cond2 source network group netgroup2
```

This command configures a network group (**netgroup2**) of three IP addresses. The network group is then configured as part of a policy condition (**cond2**). The condition specifies that the addresses in the group are source addresses. (For all condition groups except service groups, the policy condition specifies whether the condition group is a *source* or *destination* group.)

If a network group was not used, a separate condition would have to be created for each IP address. Subsequently, a corresponding rule would have to be created for each condition. Using a network group reduces the number of rules required.

For more details about using groups in policy conditions, see [“Using Condition Groups in Policies” on page 21-34 in Chapter 21, “Configuring QoS.”](#)

Configuring ACLs

This section describes in detail the procedures for configuring ACLs. For more information about how to configure policies in general, see [Chapter 21, “Configuring QoS.”](#) Command syntax is described in detail in the *OmniSwitch CLI Reference Guide*.

The basic commands for configuring ACL rules are the same as those for configuring policy rules:

- policy condition**
- policy action**
- policy rule**

Creating Policy Conditions For ACLs

A policy condition for IP filtering may include a particular source IP address, destination IP address, source IP port, or destination IP port. Or, the condition may simply refer to the network group, MAC group, port group, or service group. Typically ACLs use group keywords in policy conditions. A single rule, therefore, filters traffic for multiple addresses or ports.

For example:

```
-> policy port group pgroup1 3/1-2 4/3 5/4
-> policy condition c2 source port group pgroup1
```

In this example, a Layer 2 condition (**c2**) specifies that traffic matches the ports included of the **pgroup1** port group. The condition also specifies that the port group is a source group. Any traffic coming in on ports 1 or 2 on slot 3, port 3 on slot 4, or port 4 on slot 5 will match condition **c2**.

For more information about condition groups, see [“Creating Condition Groups For ACLs” on page 22-8](#).

The following table lists the keywords for the **policy condition** command that are typically used for the different types of ACLs:

Layer 2 ACL Condition Keywords	Layer 3/4 ACL Condition Keywords	Multicast ACL Condition Keywords
source mac	source ip	multicast ip
source mac group	source network group	multicast network group
destination mac	destination ip	destination ip
destination mac group	destination network group	destination vlan
source vlan	source ip port	destination port
source port	destination ip port	destination port group
source port group	service	destination mac
destination port	service group	destination mac group
destination port group	ip protocol	
ethertype	destination port	
	destination port group	
	icmptype	
	icmrcode	

Note that the individual address, service, or port cannot be used in conjunction with the same type of condition group. For example, you cannot specify in the same rule both a source MAC address and a source MAC group.

Creating Policy Actions For ACLs

A policy action for IP filtering specifies a *disposition*, that is, whether the flow is accepted or denied on the switch. To create a policy action, use the **policy action** command. Use the **disposition** keyword to define whether the flow is accepted (**accept**) or denied (**deny**). For example:

```
-> policy action a1 disposition accept
```

If you do not specify a disposition for the policy action, the default (**accept**) will be used.

Creating Policy Rules for ACLs

A policy rule is made up of a condition and an action. For example, to create a policy rule for filtering IP addresses, which is a Layer 3 ACL, use the **policy rule** command with the **condition** and **action** keywords. The **precedence** keyword is optional. By default rules have a precedence of 0. See [“Rule Precedence” on page 22-5](#) for more information about precedence.

```
-> policy condition c3 source ip 10.10.4.8
-> policy action a1 accept
-> policy rule rule7 precedence 65535 condition c3 action a1
```

In this example, any traffic matching condition **c3** will match **rule7**; **rule7** is configured with the highest precedence value. If any other rules are configured for traffic with a source address of 10.10.4.8, **rule7** will take precedence over the other rules only if one of the following is true:

- A conflict exists with another rule and **rule7** has a higher precedence.
- A conflict exists with another rule that has the same precedence value, but **rule7** was created first.

If there are no conflicts between **rule7** and other rules, then all rules are applied to the flow. (For more information about precedence, see [“Rule Precedence” on page 22-5](#).) The action configured for the rule, **a1**, allows traffic from 10.10.4.8, so the flow will be accepted on the switch.

The rule will not be used to classify traffic or enforce the policy until the **qos apply** command is entered. For information about applying policy parameters, see [“Applying the Configuration” on page 21-46](#) in Chapter 21, “Configuring QoS.”

Layer 2 ACLs

Layer 2 filtering filters traffic at the MAC layer. Layer 2 filtering may be done for both bridged and routed packets. As MAC addresses are learned on the switch, QoS classifies the traffic based on:

- MAC address or MAC group
- Source VLAN
- Physical slot/port or port group

The switch classifies the MAC address as both source *and* destination. .

The following **policy condition** keywords are used for Layer 2 ACLs:

Layer 2 ACL Condition Keywords

source mac	destination mac
source mac group	destination mac group
source vlan	destination port
source port	destination port group
source port group	ethertype

A group and an individual item cannot be specified in the same condition. For example, a source MAC address and a source MAC group cannot be specified in the same condition.

Note that combining Layer 2 and Layer 3 conditions in the same policy is supported. Refer to [“Condition Combinations” on page 21-6](#) and [“Action Combinations” on page 21-7](#) in Chapter 21, “Configuring QoS.”

Layer 2 ACL Example

In this example, the default bridged disposition is **accept** (the default). Since the default is **accept**, the **qos default bridged disposition** command would only need to be entered if the disposition had previously been set to **deny**. The command is shown here for completeness.

```
-> qos default bridged disposition accept
-> policy condition Address1 source mac 080020:112233 source vlan 5
-> policy action BlockTraffic disposition deny
-> policy rule FilterA condition Address1 action BlockTraffic
```

In this scenario, traffic with a source MAC address of 08:00:20:11:22:33 coming in on VLAN 5 would match condition **Address1**, which is a condition for a policy rule called **FilterA**. **FilterA** is then applied to the flow. Since **FilterA** has an action (**BlockTraffic**) that is set to deny traffic, the flow would be denied on the switch.

Note that although this example contains only Layer 2 conditions, it is possible to combine Layer 2 and Layer 3 conditions in the same policy.

Layer 3 ACLs

The QoS software in the switch filters routed and bridged traffic at Layer 3.

For Layer 3 filtering, the QoS software in the switch classifies traffic based on:

- Source IP address or source network group
- Destination IP address or destination network group
- IP protocol
- Source TCP/UDP port
- Destination TCP/UDP port or service or service group
- Destination slot/port or destination port group

The following **policy condition** keywords are used for Layer 3 ACLs:

Layer 3/4 ACL Condition Keywords

source ip
source network group
destination ip
destination network group
source ip port
destination ip port
service
service group
ip protocol
destination port
destination port group
icmptype
icmpcode

Note that combining Layer 2 and Layer 3 conditions in the same policy is supported. Refer to [“Condition Combinations” on page 21-6](#) and [“Action Combinations” on page 21-7](#) in Chapter 21, “Configuring QoS.”

Layer 3 ACL: Example 1

In this example, the default routed disposition is **accept** (the default). Since the default is **accept**, the **qos default routed disposition** command would only need to be entered if the disposition had previously been set to **deny**. The command is shown here for completeness.

```
-> qos default routed disposition accept
-> policy condition addr2 source ip 192.68.82.0 source ip port 23 ip protocol 6
-> policy action Block disposition deny
-> policy rule FilterL31 condition addr2 action Block
```

Traffic with a source IP address of 192.68.82.0, a source IP port of 23, using protocol 6, will match condition **addr2**, which is part of **FilterL31**. The action for the filter (**Block**) is set to deny traffic. The flow will be dropped on the switch.

Note that although this example contains only Layer 2 conditions, it is possible to combine Layer 2 and Layer 3 conditions in the same policy.

Layer 3 ACL: Example 2

This example uses condition groups to combine multiple IP addresses in a single condition. The default disposition is set to **deny**.

```
-> qos default routed disposition deny
-> policy network group GroupA 192.60.22.1 192.60.22.2 192.60.22.0
-> policy condition cond7 destination network group GroupA
-> policy action Ok disposition accept
-> policy rule FilterL32 condition cond7 action Ok
```

In this example, a network group, **GroupA**, is configured with three IP addresses. Condition **cond7** includes **GroupA** as a destination group. Flows coming into the switch destined for any of the specified IP addresses in the group will match rule **FilterL32**. **FilterL32** is configured with an action (**Ok**) to allow the traffic on the switch.

Note that although this example contains only Layer 2 conditions, it is possible to combine Layer 2 and Layer 3 conditions in the same policy.

Multicast Filtering ACLs

Multicast filtering may be set up to filter clients requesting group membership via the Internet Group Management Protocol (IGMP). IGMP is used to track multicast group membership. The IP Multicast Switching (IPMS) function in the switch optimizes the delivery of IP multicast traffic by sending packets only to those stations that request it. Potential multicast group members may be filtered out so that IPMS does not send multicast packets to those stations.

For more information about IPMS, see [Chapter 23, “Configuring IP Multicast Switching.”](#)

Multicast traffic has its own global disposition. By default, the global disposition is **accept**. To change the default, use the **qos default multicast disposition** command.

For multicast filtering, the switch classifies traffic based on the multicast IP address or multicast network group and any destination parameters. Note that the destination parameters are used for the client from which the switch will receive the IGMP request.

The **multicast ip** or **multicast network group** keyword is required in the condition configured for a multicast ACL.

The following keywords may be used in the condition to indicate the client parameters:

Multicast ACL Keywords

destination ip
destination vlan
destination port
destination port group
destination mac
destination mac group

If a destination group is specified, the corresponding single value keyword cannot be combined in the same condition. For example, if a destination port is specified, a destination port group cannot be specified in the same condition.

To filter multicast clients, specify the multicast IP address, which is the address of the multicast group or stream, and specify the client IP address, VLAN, MAC address, or slot/port. For example:

```
-> qos default multicast disposition deny
-> policy condition Mclient1 multicast ip 224.0.1.2 destination vlan 5
-> policy action ok disposition accept
-> policy rule Mrule condition Mclient1 action ok
```

In this example, any traffic coming in on VLAN 5 requesting membership to the 224.0.1.2 multicast group will be allowed.

Verifying the ACL Configuration

To display information about ACLs, use the same **show** commands that are used for displaying any QoS policies. These commands include:

show policy condition	Displays information about all pending and applied policy conditions or a particular policy condition configured on the switch. Use the applied keyword to display information about applied conditions only.
show policy action	Displays information about all pending and applied policy actions or a particular policy action configured on the switch. Use the applied keyword to display information about applied actions only.
show policy rule	Displays information about all pending and applied policy rules or a particular policy rule.
show active policy rule	Displays the pending and applied policy rules that are active (enabled) on the switch.

When a **show** command is used to display output for all pending and applied policy configuration, the following characters may appear in the display:

character	definition
+	Indicates that the policy rule has been modified or has been created since the last qos apply .
-	Indicates the policy object is pending deletion.
#	Indicates that the policy object differs between the pending/applied objects.

The following example shows all policy rules configured on the switch:

```
-> show policy rule
          Policy          From Prec  Enab Inact Refl  Log  Save
my_rule  cli           0  Yes  Yes  No   No   Yes
Cnd/Act: cond5 -> action2

+my_rule5 cli           0  Yes  No   No   No   Yes
Cnd/Act: cond2 -> pri2

mac1     cli           0  Yes  No   No   No   Yes
Cnd/Act: dmacl -> pri2
```

The display indicates that **my_rule** is inactive and is not used to classify traffic on the switch (the Inact field displays **Yes**). The rule **my_rule5** has been configured since the last **qos apply** command was entered, as indicated by the plus (+) sign. The rule will not be used to classify traffic until the next **qos apply**. Only **mac1** is actively being used on the switch to classify traffic.

To display only policy rules that are active (enabled) on the switch, use the **show active policy rule** command. For example:

```
-> show active policy rule
          Policy          From Prec  Enab Inact Refl  Log  Save  Matches
+my_rule5 cli           0  Yes  No   No   No   Yes    0
Cnd/Act: cond2 -> pri2

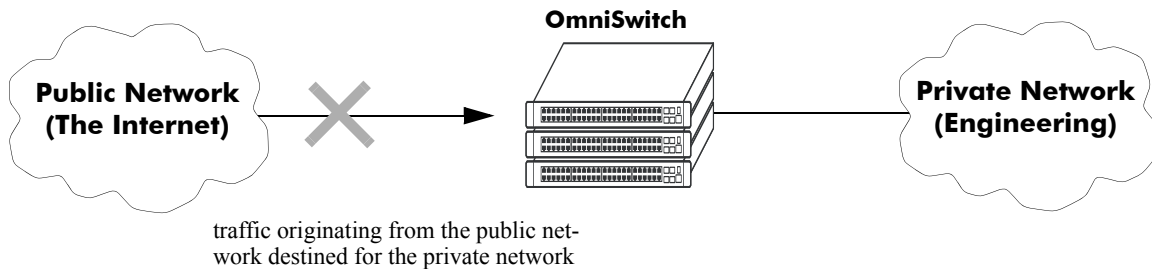
mac1     cli           0  Yes  No   No   No   Yes    0
Cnd/Act: dmacl -> pri2
```

In this example, the rule **my_rule** does not display because it is inactive. Rules are inactive if they are administratively disabled through the **policy rule** command, or if the rule cannot be enforced by the current hardware. Both **my_rule5** and **mac1** are displayed here because they are active; however, **my_rule5** is a pending rule and will not be used to classify traffic until the **qos apply** command is entered.

See the *OmniSwitch CLI Reference Guide* for more information about the output of these commands.

ACL Application Example

In this application for IP filtering, a policy is created to deny Telnet traffic from the outside world to an engineering group in a private network.



Set up a policy rule called **outside** to deny Telnet traffic to the private network.

- 1 Create a policy service (**traffic_in**) for traffic originating from the well-known Telnet port number 23.

```
-> policy service traffic_in source ip port 23 protocol 6
```

- 2 Create a policy condition (**outside_cond**) that references the service.

```
-> policy condition outside_cond service traffic_in
```

- 3 Create a policy action (**outside_action**) to deny the traffic.

```
-> policy action outside_action disposition drop
```

- 4 Then combine the condition and the action in a policy rule (**outside**).

```
-> policy rule outside condition outside_cond action outside_action
```

An example of what these commands look like together on consecutive command lines:

```
-> policy service traffic_in source ip port 23 protocol 6
-> policy condition outside_cond service traffic_in
-> policy action outside_action disposition drop
-> policy rule outside condition outside_cond action outside_action
```


23 Configuring IP Multicast Switching

IP Multicast Switching is a one-to-many communication technique employed by emerging applications such as video distribution, news feeds, conferencing, netcasting, and resource discovery (OSPF, RIP2, BOOTP). Unlike unicast, which sends one packet per destination, multicast sends one packet to all devices in any subnetwork that has at least one device requesting the multicast traffic. Multicast switching also requires much less bandwidth than unicast techniques and broadcast techniques since the source hosts only send one data stream to the ports on which destination hosts that request it are attached.

Destination hosts signal their intent to receive a specific multicast stream by sending a request to do so to a nearby switch using Internet Group Management Protocol (IGMP). The switch then learns on which ports multicast group subscribers are attached and can intelligently deliver traffic only to the respective ports. This mechanism is often referred to as *IGMP snooping* (or *IGMP gleaning*). Alcatel's implementation of IGMP snooping is called IP Multicast Switching (IPMS). IPMS allows OmniSwitch 6800 Series switches to efficiently deliver multicast traffic in hardware at wire speed.

In This Chapter

This chapter describes the basic components of IPMS and how to configure them through the Command Line Interface (CLI). CLI commands are used in the configuration examples; for more details about the syntax of commands, see the *OmniSwitch CLI Reference Guide*.

Configuration procedures described in this chapter include:

- Enabling and disabling IPMS on [page 23-7](#).
- Configuring and removing a static neighbor on [page 23-8](#).
- Configuring and removing a static querier on [page 23-9](#).
- Modifying IPMS parameters beginning on [page 23-11](#).

Note. You can also configure and monitor IPMS with WebView, Alcatel's embedded web-based device management application. WebView is an interactive and easy-to-use GUI that can be launched from OmniVista or a web browser. Please refer to WebView's online documentation for more information on configuring and monitoring IPMS with WebView.

IPMS Specifications

The table below lists specifications for Alcatel's IPMS software.

RFCs Supported	RFC 2236 — Internet Group Management Protocol, Version 2 RFC 2933 — Internet Group Management Protocol MIB RFC 3376 — Internet Group Management Protocol, Version 3
Leave Timeout	0 to 4294967295 seconds
Query Interval	0 to 4294967295 seconds
Membership Timeout	0 to 4294967295 seconds
Neighbor Timeout	0 to 4294967295 seconds
Querier Timeout	0 to 4294967295 seconds
Querier Aging and Election Timeout	0 to 4294967295 seconds
Multicast Priority	urgent, high, medium, or low
Maximum Ingress Bandwidth	1 to 1000 megabits

IPMS Default Values

The table below lists default values for Alcatel's IPMS software.

Parameter Description	Command	Default Value/Comments
Administrative Status	ip multicast switching	disabled
IGMP Proxy Version	ip multicast igmp-proxy-version	Version 2
Leave Timeout	ip multicast leave-timeout	1 second
Query Interval	ip multicast query-interval	125 seconds
Membership Timeout	ip multicast membership-timeout	260 seconds
Neighbor Timeout	ip multicast neighbor-timeout	90 seconds
Querier Timeout	ip multicast querier-timeout	260 seconds
Querier Aging and Election Timeout	ip multicast other-querier-timeout	255
Multicast Priority	ip multicast priority	low
Maximum Ingress Bandwidth	ip multicast max-ingress-bandwidth	10 megabits

IPMS Overview

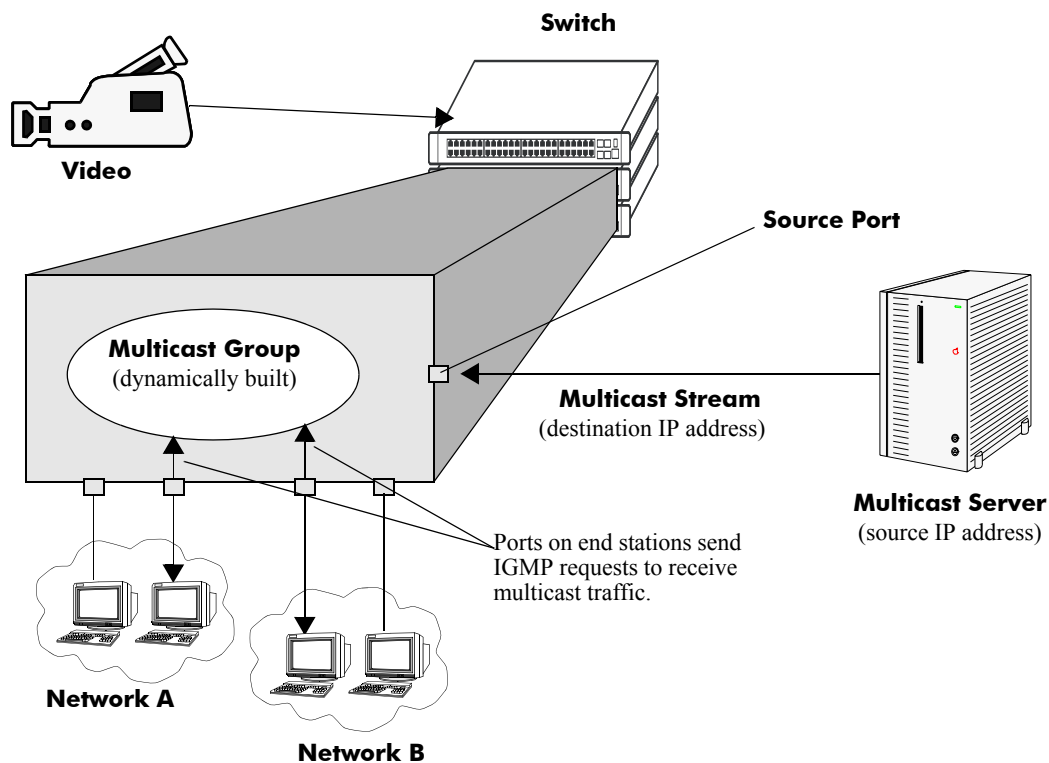
A multicast group is defined by a multicast group address, which is a Class D IP address in the range 224.0.0.0 to 239.255.255.255. (Addresses in the range 239.0.0.0 to 239.255.255.255 are reserved for boundaries.) The multicast group address is indicated in the destination address field of the IP header. (See [“Reserved Multicast Addresses” on page 23-4](#) for more information.)

IPMS tracks the source VLAN on which the Internet Group Management Protocol (IGMP) requests are received. The network interfaces verify that a multicast packet is received by the switch on the source (or expected) port.

Note. Jumbo multicast packets are not supported. The maximum MTU size supported by Alcatel’s IPMS software is 1500.

IPMS Example

The figure on the following page shows an IPMS network where video content can be provided to clients that request it. A server is attached to the switch that provides the source (i.e, multicast) IP addresses. Clients from two different attached networks send IGMP reports to the switch to receive the video content.



Example of an IPMS Network

Reserved Multicast Addresses

The Internet Assigned Numbers Authority (IANA) created the range for multicast addresses, which is 224.0.0.0 to 239.255.255.255. However, as the table below shows, certain addresses are reserved and cannot be used.

Address or Address Range	Description
224.0.0.0 through 224.0.0.255	Routing protocols (e.g., OSPF, RIP2)
224.0.1.0 through 224.0.1.255	Internetwork Control Block (e.g., RSVP, DHCP, commercial servers)
224.0.2.0 through 224.0.255.0	AD-HOC Block (e.g., commercial servers)
224.1.0.0 through 224.1.255.255	ST Multicast Groups
224.2.0.0 through 224.2.255.255	SDP/SAP Block
224.252.000.000 through 224.255.255.255	DIS Transient Groups
225.000.000.000 through 231.255.255.255	Reserved
232.000.000.000 through 232.255.255.255	Source Specific Multicast
233.000.000.000 through 233.255.255.255	GLOP Block
234.000.000.000 through 238.255.255.255	Reserved
239.000.000.000 through 239.255.255.255	Administratively Scoped

IP Multicast Routing

IP multicast routing can be used for IP Multicast Switching and Routing (IPMSR). IP multicast routing is a way of controlling multicast traffic across networks. The multicast router discovers which networks want to receive multicast traffic by sending out Internet Group Management Protocol (IGMP) queries and receiving IGMP reports from attached networks. The IGMP reports signal that users want to join a multicast group.

If there is more than one multicast router in the network, the router with the lowest IP address is elected the querier router, which is responsible for querying the subnetwork for group members.

The IP multicast routing package offers the following two separate protocols:

- Protocol Independent Multicast — Sparse Mode (PIM-SM), which is described in [“PIM-SM” on page 23-5](#).
- Distance Vector Multicast Routing Protocol (DVMRP), which is described in [“DVMRP” on page 23-5](#).

The multicast routing protocols build and maintain a multicast routing database. The multicast routing protocols forward multicast traffic to *networks* that have requested group membership to a specific multicast group. IPMS uses decisions made by the routing protocols and forwards multicast traffic to *ports* that request group membership. See the *OmniSwitch 6800 Series Advanced Routing Configuration Guide* for more information on IP multicast routing protocols.

PIM-SM

Protocol-Independent Multicast (PIM) is an IP multicast routing protocol that uses routing information provided by unicast routing protocols such as RIP and OSPF. Sparse mode PIM (PIM-SM) contrasts with flood-and-prune dense mode multicast protocols such as DVMRP and PIM Dense Mode (PIM-DM) in that multicast forwarding in PIM-SM is initiated only via specific requests. Downstream routers must explicitly join PIM-SM distribution trees in order to receive multicast streams on behalf of directly-connected receivers or other downstream PIM-SM routers. This paradigm of receiver-initiated forwarding makes PIM-SM ideal for network environments where receiver groups are thinly populated and bandwidth conservation is a concern, such as in Wide Area Networks (WANs).

DVMRP

Distance Vector Multicast Routing Protocol (DVMRP) is a distributed multicast routing protocol that dynamically generates per-source delivery trees based upon routing exchanges. When a multicast source begins to transmit, the multicast data is flooded down the delivery tree to all points in the network. DVMRP then *prunes* (i.e., removes branches from) the delivery tree where the traffic is unwanted. This is in contrast to PIM-SM, which uses receiver-initiated (i.e., forward path) multicasting.

IPMS and Link Aggregation

When configuring IPMS and link aggregation on the same switch the following conditions should be kept in mind:

- When a port moves to a link aggregation group all IPMS configurations on the port will be lost.
- When the last port in a link aggregation group moves out of the group all IPMS configuration on the link aggregation group will be lost.

IGMP Version 3

IGMP is used by IPv4 systems (hosts and routers) to report their IP multicast group memberships to any neighboring multicast routers. IGMP version 2 (IGMPv2) handles forwarding by IP multicast destination address only. IGMP version 3 (IGMPv3) handles forwarding by source IP address and IP multicast destination address. OmniSwitch 6800 Series switches support IGMPv2 and IGMPv3.

Note. See [“Configuring the IGMP Proxy Version” on page 23-8](#) for information on configuring the IGMP version.

In IGMPv2, each membership report contains only one multicast group. In IGMPv3, membership reports contain many multicast groups up to the Maximum Transmission Unit (MTU) size of the interface. IGMPv3 uses source filtering and reports multicast memberships to neighboring routers by sending membership reports. IGMPv3 also supports Source Specific Multicast (SSM) by allowing hosts to report interest in receiving packets only from specific source addresses or from all but specific source addresses.

Note. It should be noted that in the current release SSM packet forwarding is not done between ports in the same VLAN. However, SSM forwarding between different VLANs (routing) is supported. In addition, the current implementation of IGMPv3 and SSM only forwards packets to a list of included sources for a given multicast destination. Exclude list forwarding is not supported as it is not a requirement for SSM, and specifically Protocol Independent Multicast–Source Specific Multicast (PIM-SSM). See the *OmniSwitch 6800 Series Advanced Routing Configuration Guide* for more information on SSM.

Configuring IPMS on a Switch

This section describes how to use Command Line Interface (CLI) commands to enable and disable IP Multicast Switching (IPMS) switch wide (see “[Enabling and Disabling IPMS on a Switch](#)” on page 23-7), configure a port as a static neighbor (see “[Configuring and Removing a Static Neighbor](#)” on page 23-8), and configure a port as a static querier (see “[Configuring and Removing a Static Querier](#)” on page 23-9).

Note. Enabling the maximum multicast flood rate with the **interfaces flood multicast** command will limit IPMS and non-IPMS multicast traffic. Either do not use this command with IPMS or set flood rates (set with the **interfaces flood rate** command) high enough to accommodate both flood and IPMS traffic.

In addition, a tutorial is provided in “[IPMS Application Example](#)” on page 23-15 that shows how to use CLI commands to configure a sample network.

Note. See the “IP Multicast Switching Commands” chapter in the *OmniSwitch CLI Reference Guide* for complete documentation of IPMS CLI commands.

Enabling and Disabling IPMS on a Switch

IPMS is disabled by default on a switch. The following subsections describe how to enable and disable IPMS with the **ip multicast switching** command.

Note. You must enable or disable IPMS on an entire switch. You cannot enable IPMS on a per port or per slot basis.

Enabling IPMS

To enable IPMS on a switch you use the **ip multicast switching** command as shown below:

```
-> ip multicast switching
```

Disabling IPMS

To disable IPMS you use the **no** form of the **ip multicast switching** command as shown below:

```
-> no ip multicast switching
```

Configuring the IGMP Proxy Version

By default, the version of Internet Group Management Protocol (IGMP) membership is Version 2. The following subsections describe how to configure the proxy version as Version 2 or Version 3 with the **ip multicast igmp-proxy-version** command.

Configuring IGMP Proxy Version 3

To change the IGMP proxy version to Version 3 (IGMPv3) use the **ip multicast igmp-proxy-version** command by entering:

```
-> ip multicast igmp-proxy-version v3
```

Configuring IGMP Proxy Version 2

To restore the IGMP proxy version to Version 2 (IGMPv2) use the **ip multicast igmp-proxy-version** command by either use the **no** form of the command by entering:

```
-> ip multicast no igmp-proxy-version
```

Or, as an alternative enter:

```
-> ip multicast igmp-proxy-version v2
```

To restore the IGMP proxy version to Version 2.

Configuring and Removing a Static Neighbor

IPMS static neighbor ports receive all multicast streams on the designated VLAN and also receive IGMP reports for the VLAN. The following subsections describe how to configure and remove a static neighbor port with the **ip multicast static-neighbor** command.

Configuring a Static Neighbor

You can configure a port as an IPMS static neighbor port by entering **ip multicast static-neighbor** followed by the VLAN number (which must be between 0 and 4095), a space, the slot number of the port, a slash (/), and the port number.

For example, to configure port 4 in slot 10 with designated VLAN 2 as a static neighbor you would enter:

```
-> ip multicast static-neighbor 2 4/10
```

You can also configure a link aggregation group as an IPMS static neighbor port by entering **ip multicast static-neighbor** followed by the VLAN number (which must be between 0 and 4095), a space, **linkagg**, and the aggregation group number.

For example, to configure link aggregation group 7 with designated VLAN 2 as a static neighbor you would enter:

```
-> ip multicast static-neighbor 2 linkagg 7
```

By default, the version of IGMP that will be used is Version 2. As an option, you can also specify the version of IGMP (either version 2 or Version 3) by entering **ip multicast static-neighbor** followed by the VLAN number (which must be between 0 and 4095), a space, either the port (designate the slot number of the port, a slash (/), and the port number) or **linkagg** and the link aggregation group number, and either **v2** or **v3**.

For example, to configure port 4 in slot 10 with designated VLAN 2 as a static neighbor that uses IGMP Version 3 you would enter:

```
-> ip multicast static-neighbor 2 4/10 v3
```

Removing a Static Neighbor

To reset the port so that it is no longer an IPMS static neighbor port you use the **no** form of the **ip multicast static-neighbor** command by entering **ip multicast no static-neighbor** followed by the VLAN number, a space, and either the port (designate the slot number of the port, a slash (/), and the port number) or **linkagg** and link aggregation group number.

For example, to remove port 4 in slot 10 with designated VLAN 2 as a static neighbor you would enter:

```
-> ip multicast no static-neighbor 2 4/10
```

Configuring and Removing a Static Querier

IPMS static querier ports receive IGMP reports generated on the designated VLAN. Unlike IPMS neighbor ports, they will not receive all multicast streams. The following subsections describe how to configure and remove a static querier with the **ip multicast static-querier** command.

Configuring a Static Querier

You can configure a port as an IPMS static querier port by entering **ip multicast static-querier** followed by the VLAN number (which must be between 0 and 4095), a space, the slot number of the port, a slash (/), and the port number.

For example, to configure port 4 in slot 10 with designated VLAN 2 as a static querier you would enter:

```
-> ip multicast static-querier 2 4/10
```

You can also configure a link aggregation group as an IPMS static querier port by entering **ip multicast static-querier** followed by the VLAN number (which must be between 0 and 4095), **linkagg**, a space, and the link aggregation group number.

For example, to configure link aggregation group 7 with designated VLAN 2 as a static querier you would enter:

```
-> ip multicast static-querier 2 linkagg 7
```

By default, the version of IGMP that will be used is Version 2. As an option, you can also specify the version of IGMP (either version 2 or Version 3) by entering **ip multicast static-querier** followed by the VLAN number (which must be between 0 and 4095), a space, either the port (designate the slot number of the port, a slash (/), and the port number) or **linkagg** and the link aggregation group number, and either **v2** or **v3**.

For example, to configure port 4 in slot 10 with designated VLAN 2 as a static querier that uses IGMP Version 3 you would enter:

```
-> ip multicast static-querier 2 4/10 v3
```

Removing a Static Querier

To reset the port so that it is no longer an IPMS static querier port you use the **no** form of the **ip multicast static-querier** command by entering **ip multicast no static-querier** followed by the VLAN number, a space, the slot number of the port, a slash (/), and either the port (designate the slot number of the port, a slash (/), and the port number) or **linkagg** and the link aggregation group number.

For example, to remove port 4 in slot 10 with designated VLAN 2 as a static querier you would enter:

```
-> ip multicast no static-querier 2 4/10
```

Configuring and Removing a Static Member

The following subsections describe how to configure and remove a static member with the **ip multicast static-member** command.

Configuring a Static Member

You can configure a port as an IPMS static member by entering **ip multicast static-member** followed by the IP address of the static member in dotted decimal notation, a space, the slot number of the port, a slash (/), the port number, a space, and the VLAN number (which must be between 0 and 4095).

For example, to configure a static member with an IP address of 11.0.0.1 on port 10 in slot 3 with designated VLAN 3 you would enter:

```
-> ip multicast static-member 11.0.0.1 3/10 3
```

You can also configure a link aggregation group as an IPMS static member by entering **ip multicast static-member** followed by the IP address of the static member in dotted decimal notation, **linkagg**, a space, the link aggregation group number, and the VLAN number (which must be between 0 and 4095).

For example, to configure a static member with an IP address of 11.0.0.1 on link aggregation group 7 with designated VLAN 3 you would enter:

```
-> ip multicast static-member 11.0.0.1 linkagg 7 3
```

Removing a Static Member

To reset the port so that it is no longer an IPMS static member port you use the **no** form of the **ip multicast static-member** command by entering **ip multicast no static-member** followed by the IP address of the static member, a space, either the port (designate the slot number of the port, a slash (/), the port number) or **linkagg** and the link aggregation group number, a space, and the VLAN number.

For example, to remove a static member with an IP address of 11.0.0.1 on port 10 in slot 3 with designated VLAN 3 you would enter:

```
-> ip multicast no static-neighbor 11.0.0.1 3/10 3
```

Modifying IPMS Parameters

The table in “[IPMS Default Values](#)” on page 23-2 lists default values for IPMS parameters. The following sections describe how to use CLI commands to modify these parameters.

Modifying the Leave Timeout

The IPMS leave timeout is the delay in removing a group membership after a leave message has been processed and/or received. The default IPMS leave timeout is 1 second. The following subsections describe how to configure a user-specified leave timeout value and how to restore it with the **ip multicast leave-timeout** command.

Configuring the Leave Timeout

You can modify IPMS leave timeout from 0 to 4294967295 seconds by entering **ip multicast leave-timeout** followed by the new value. For example, to set the leave timeout to 5 seconds you would enter:

```
-> ip multicast leave-timeout 5
```

Restoring the Leave Timeout

To restore the leave timeout to its default (i.e., 1 second) value you use the **no** form of the **ip multicast leave-timeout** command by entering:

```
-> ip multicast no leave-timeout
```

Modifying the Query Interval

The default IPMS query interval (i.e., the time between IGMP queries) is 125 seconds. The following subsections describe how to configure a user-specified query interval value and how to restore it with the **ip multicast query-interval** command.

Configuring the Query Interval

You can modify the query interval from 0 to 4294967295 seconds by entering **ip multicast query-interval** followed by the new value. For example, to set the query interval to 60 seconds you would enter:

```
-> ip multicast query-interval 60
```

Restoring the Query Interval

To restore the query interval to its default (i.e., 125 seconds) value you use the **no** form of the **ip multicast query-interval** command by entering:

```
-> ip multicast no query-interval
```

Modifying the Membership Timeout

The default IPMS membership timeout (i.e., the time the switch will wait for an IGMP report before it drops a member from a multicast group) is 260 seconds. The following subsections describe how to configure a user-specified membership timeout value and how to restore it with the **ip multicast membership-timeout** command.

Configuring the Membership Timeout

You can modify the IPMS membership timeout from 0 to 4294967295 seconds by entering **ip multicast membership-timeout** followed by the new value. For example, to set the membership timeout value to 100 seconds you would enter:

```
-> ip multicast membership-timeout 100
```

Restoring the Membership Timeout

To restore the membership timeout to its default (i.e., 260 seconds) value you use the **no** form of the **ip multicast membership-timeout** command by entering:

```
-> ip multicast no membership-timeout
```

Modifying the Neighbor Timeout

The default IPMS neighbor timeout (i.e., the time the switch will wait for a neighbor probe from a router before it removes the corresponding entry for the router from the neighbor table) is 90 seconds. The following subsections describe how to configure a user-specified neighbor timeout value and how to restore it with the **ip multicast neighbor-timeout** command.

Configuring the Neighbor Timeout

You can modify the IPMS neighbor timeout from 0 to 4294967295 seconds by entering **ip multicast neighbor-timeout** followed by the new value. For example, to set the neighbor timeout to 360 seconds you would enter:

```
-> ip multicast neighbor-timeout 360
```

Restoring the Neighbor Timeout

To restore the neighbor timeout to its default (i.e., 90 seconds) value you use the **no** form of the **ip multicast neighbor-timeout** command by entering **ip multicast no neighbor-timeout** as shown below:

```
-> ip multicast no neighbor-timeout
```

Modifying the Querier Timeout

The default IPMS querier timeout (i.e., the time the switch will wait for an IGMP query from a device before it removes the corresponding entry for the device from the neighbor table) is 260 seconds. The following subsections describe how to configure a user-specified querier timeout value and how to restore it with the **ip multicast querier-timeout** command.

Configuring the Querier Timeout

You can modify the IPMS querier timeout from 0 to 4294967295 seconds by entering **ip multicast querier-timeout** followed by the new value. For example, to set the querier timeout to 360 seconds you would enter:

```
-> ip multicast querier-timeout 360
```


Restoring the Querier Timeout

To restore the neighbor querier to its default (i.e., 260 seconds) value you use the **no** form of the **ip multicast querier-timeout** command by entering:

```
-> ip multicast no querier-timeout
```

Modifying the Querier Aging and Election Timeout

The default IPMS querier aging and election timeout (i.e., the time for which a currently elected querier is aged and a new multicast querier is elected) is 255 seconds. The following subsections describe how to configure a user-specified querier aging and election timeout value and how to restore it with the **ip multicast other-querier-timeout** command.

Configuring the Querier Aging and Election Timeout

You can modify the IPMS querier aging and election timeout from 0 to 4294967295 seconds by entering **ip multicast other-querier-timeout** followed by the new value. For example, to set the querier aging and election timeout to 120 seconds you would enter:

```
-> ip multicast other-querier-timeout 120
```

Restoring the Querier Aging and Election Timeout

To restore the querier aging and election timeout to its default (i.e., 255 seconds) value you use the **no** form of the **ip multicast other-querier-timeout** command by entering:

```
-> ip multicast no other-querier-timeout
```

Modifying the Multicast Priority

The default IP multicast priority (i.e., the IP multicast priority value on all IPMS data queues used in the switch) is low. The following subsections describe how to configure a user-specified multicast priority value and how to restore it with the **ip multicast priority** command.

Note. Multicast packets always have higher priority than unicast packets. During heavy multicast traffic loads, unicast packet loss may result.

Configuring the Multicast Priority

You can modify the IP multicast priority to low, medium, or urgent by entering **ip multicast priority** followed by **low**, **medium**, **high**, or **urgent**. For example, to set the multicast priority to urgent you would enter:

```
-> ip multicast priority urgent
```

Restoring the Multicast Priority

To restore the IP multicast priority to its default (i.e., low) value you use the **no** form of the **ip multicast priority** command by entering:

```
-> ip multicast no priority
```

Modifying the Maximum Ingress Bandwidth

The default IP multicast maximum ingress bandwidth (i.e., the maximum incoming bandwidth on all IPMS data queues used in the switch) is 10 megabits. The following subsections describe how to configure a user-specified maximum ingress bandwidth value and how to restore it with the **ip multicast max-ingress-bandwidth** command.

Configuring the Maximum Ingress Bandwidth

You can modify the IP multicast maximum ingress bandwidth from 1 to 1000 megabits by entering **ip multicast max-ingress-bandwidth** followed by the new value in megabits. For example, to set the maximum ingress bandwidth to 20 megabits you would enter:

```
-> ip multicast max-ingress-bandwidth 20
```

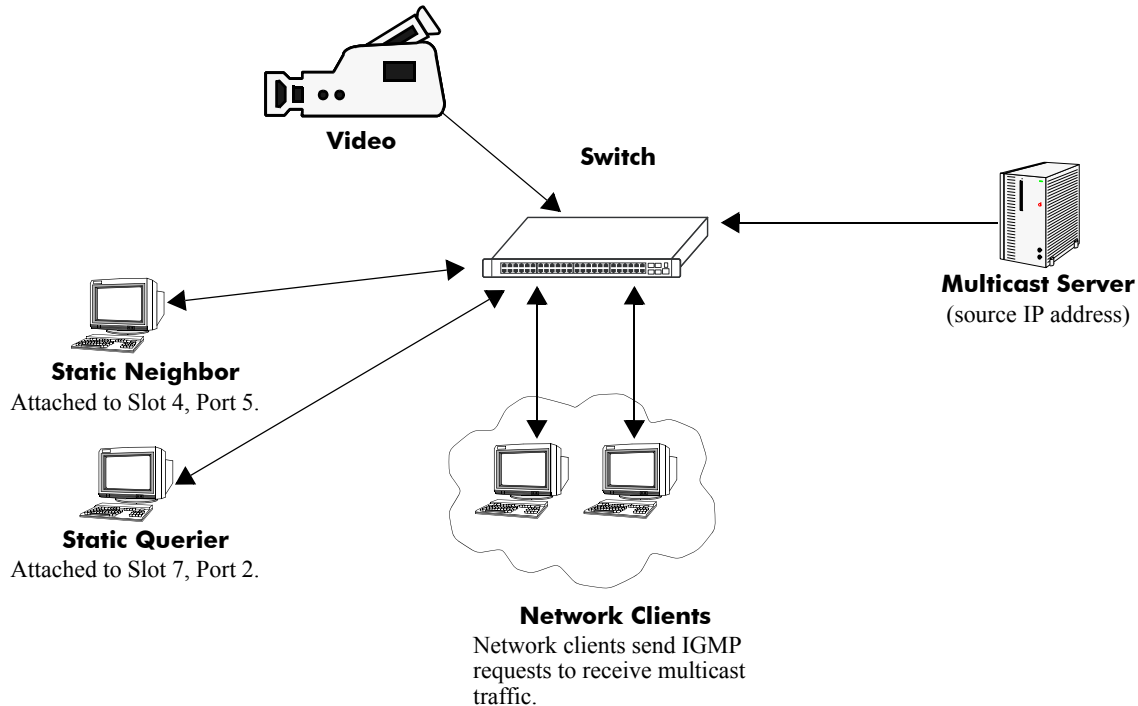
Restoring the Maximum Ingress

To restore the IP multicast maximum ingress bandwidth to its default (i.e., 10 megabits) value you use the **no** form of the **ip multicast max-ingress-bandwidth** command by entering:

```
-> ip multicast no max-ingress-bandwidth
```

IPMS Application Example

The figure below shows a sample network with the switch sending multicast video. A client attached to Port 5 needs to be configured as a static neighbor and another client attached to Port 2 needs to be configured as a static querier.



Example of an IMPS Network

The network administrator has determined that due to slow responses from workstations that membership timeout needs to be 6 minutes (i.e., 3600 seconds) and the leave timeout needs to be two minutes (i.e., 120 seconds).

Follow the steps below to configure this network:

Note. All the steps following Step 1 (which must be executed first) may be entered in any order.

1 Enable IPMS switch wide by entering:

```
-> ip multicast switching
```

2 Configure the client attached to Port 5 as a static neighbor belonging to VLAN 5 by entering:

```
-> ip multicast static-neighbor 5 1/5
```

3 Configure the client attached to Port 2 as a static querier belonging to VLAN 5 by entering:

```
-> ip multicast static-querier 5 1/2
```

4 Modify the membership timeout from its default value of 260 seconds to 3600 seconds by entering:

```
-> ip multicast membership-timeout 3600
```

5 Modify the leave timeout from its default value of 10 seconds to 120 seconds by entering:

```
-> ip multicast leave-timeout 120
```

An example of what these commands look like entered sequentially on the command line:

```
-> ip multicast switching
-> ip multicast static-neighbor 5 1/5
-> ip multicast static-querier 5 1/2
-> ip multicast membership-timeout 3600
-> ip multicast leave-timeout 120
```

As an option, you can use the **show ip multicast switching**, **show ip multicast neighbors**, and **show ip multicast queriers** commands to confirm your settings as shown below:

```
-> show ip multicast switching
```

```
IPMS Configuration
```

```
IPMS State:           Enabled
Hardware Routing:     Disabled
Priority:              high
Max Ingress Bandwidth: 10
Leave Timeout:         120
Membership Timeout:   3600
Neighbor Timeout:     90
Querier Timeout:      260
Query Interval:       125
Default Proxy Version: IGMPv2
```

```
-> show ip multicast neighbors
```

Source IP	VLAN	Slot/Port	Expire	Type	Version
None	5	1/5	Never	Static	IGMPv2

```
->show ip multicast queriers
```

Source IP	VLAN	Slot/Port	Expire	Type	Version
None	5	1/2	Never	Static	IGMPv2

Displaying IPMS Configurations and Statistics

Alcatel's IP Multicast Switching (IPMS) **show** commands provide tools to monitor IPMS traffic and settings and to troubleshoot problems. These commands are described below:

- show ip multicast switching** Displays the current IPMS configuration on a switch.
- show ip multicast groups** Displays all detected multicast groups that have members. If you do not specify an IP address then all multicast groups on the switch will be displayed.
- show ip multicast neighbors** Displays all neighboring multicast routers.
- show ip multicast queriers** Displays all multicast queriers.
- show ip multicast forwarding** Displays the IPMS multicast forwarding table. If you do not specify a multicast group IP address then the forwarding table for all multicast groups will be displayed.
- show ip multicast policy-cache** Displays the active policies being enforced in the IPMS policy cache.

If you are interested in a quick look at IPMS groups on your switch you could use the **show ip multicast groups** command. For example:

```
-> show ip multicast groups
```

Destination IP	Client IP	Source IP (IGMPv3)	VLAN	Slot/ Port	Expire
224.0.0.9	11.0.0.1		3	3/10	186
225.10.10.10	10.0.0.1		2	3/9	254

Note. See the “IP Multicast Switching Commands” chapter in the *OmniSwitch CLI Reference Guide* for complete documentation on IPMS **show** commands.

24 Diagnosing Switch Problems

Several tools are available for diagnosing problems that may occur with the switch. These tools include

- Port Mirroring
- Remote Monitoring (RMON) probes
- Switch Health Monitoring

Port mirroring copies all incoming and outgoing traffic from a single mirrored Ethernet port to a second mirroring Ethernet port, where it can be monitored with a Remote Network Monitoring (RMON) probe or network analysis device without disrupting traffic flow on the mirrored port. Switch Health monitoring software checks previously-configured threshold levels for the switch's consumable resources, and notifies the Network Monitoring Station (NMS) if those limits are violated.

In This Chapter

This chapter describes the port mirroring, remote monitoring (RMON) probes, and switch health features and how to configure them through the Command Line Interface (CLI).

Configuration procedures described in this chapter include:

- Creating or Deleting a Port Mirroring Session—see [“Creating a Mirroring Session”](#) on page 24-11 or [“Deleting A Mirroring Session”](#) on page 24-15.
- Protection from Spanning Tree changes (Port Mirroring)—see [“Unblocking Ports \(Protection from Spanning Tree\)”](#) on page 24-12.
- Enabling or Disabling Port Mirroring Status—see [“Enabling or Disabling Mirroring Status”](#) on page 24-12 or [“Disabling a Mirroring Session \(Disabling Mirroring Status\)”](#) on page 24-13.
- Configuring Port Mirroring Direction—see [“Configuring Port Mirroring Direction”](#) on page 24-13.
- Enabling or Disabling a Port Mirroring Session—see [“Enabling or Disabling a Port Mirroring Session \(Shorthand\)”](#) on page 24-14.

- Enabling or Disabling RMON Probes—see [“Enabling or Disabling RMON Probes”](#) on page 24-18.
- Configuring Resource Threshold Limits (Switch Health)—see [“Configuring Resource and Temperature Thresholds”](#) on page 24-25.
- Configuring Sampling Intervals—see [“Configuring Sampling Intervals”](#) on page 24-27.
- Resetting Health Statistics—see [“Resetting Health Statistics for the Switch”](#) on page 24-29.

For information about additional Diagnostics features such as Switch Logging and System Debugging/Memory Management commands, see [Chapter 25, “Using Switch Logging”](#) and [Chapter 26, “Monitoring Memory.”](#)

Port Mirroring

The following sections detail the specifications, defaults, and quick set up steps for the port mirroring feature. Detailed procedures are found in [“Port Mirroring” on page 24-9](#).

Note. A port that is part of an aggregate link cannot be mirrored.

Port Mirroring Specifications

Ports Supported	Ethernet (10 Mbps)/Fast Ethernet (100 Mbps)/Gigabit Ethernet (1 Gb/1000 Mbps), subject to availability.
Mirroring Sessions Supported	Up to four (4) sessions supported per standalone switch and stack. However, only one (1) destination port is supported per standalone switch or stack.
Port Capacity Requirements	Mirrored (<i>monitored</i>) and mirroring (<i>monitoring</i>) ports must be of identical capacity (both ports support identical Mbps rates) or the Mirroring port must be of higher capacity than the mirrored port. (Example: A mirrored Fast Ethernet port supports 100 Mbps, while a Mirroring Gigabit Ethernet port supports 1000 Mbps).
Range of Unblocked VLAN IDs	1 to 4094.

Port Mirroring Defaults

The following table shows port mirroring default values.

Global Port Mirroring Defaults

Parameter Description	CLI Command	Default Value/Comments
Mirroring Session Creation	port mirroring source destination	No Mirroring Sessions Configured
Protection from Spanning Tree (Spanning Tree Disable)	port mirroring source destination	Spanning Tree Enabled
Mirroring Status Configuration	port mirroring source destination	Disabled
Mirroring Session Configuration	port mirroring	Disabled
Mirroring Session Deletion	port mirroring	No Mirroring Sessions Configured

Quick Steps for Configuring Port Mirroring

- 1 Create a port mirroring session. Be sure to specify the port mirroring session ID, source (*mirrored*) and destination (*mirroring*) slot/ports, and unblocked VLAN ID (*optional*—protects the mirroring session from changes in Spanning Tree if the mirroring port will monitor mirrored traffic on an RMON probe belonging to a different VLAN). For example:

```
-> port mirroring 6 source 2/3 destination 2/4 unblocked 7
```

- 2 Enable the port mirroring session.

```
-> port mirroring 6 enable
```

Note. *Optional.* To verify the port mirroring configuration, enter **show port mirroring status** followed by the port mirroring session ID number. The display is similar to the one shown below:

Session	Mirrored slot/port	Mirroring slot/port	Mirror Direction	Mirroring Vlan	Mirroring Status
6.	2/3	6/4	bidirectional	7	ON

For more information about this command, see [“Displaying Port Mirroring Status”](#) on page 24-15 or the [“Port Mirroring and Monitoring Commands”](#) chapter in the *OmniSwitch CLI Reference Guide*.

Remote Monitoring (RMON)

The following sections detail the specifications, defaults, and quick set up steps for the RMON feature. Detailed procedures are found in [“Remote Monitoring \(RMON\)” on page 24-16](#).

RMON Specifications

RFCs Supported	2819 - Remote Network Monitoring Management Information Base
RMON Functionality Supported	Basic RMON 4 group implementation –Ethernet Statistics group –History (Control and Statistics) group –Alarms group –Events group
RMON Functionality Not Supported	RMON 10 group* RMON2* –Host group –HostTopN group –Matrix group –Filter group –Packet Capture group (*An external RMON probe that includes RMON 10 group and RMON2 may be used where full RMON probe functionality is required.)
Flavor (Probe Type)	Ethernet/History/Alarm
Status	Active/Creating/Inactive
History Control Interval (seconds)	1 to 3600
History Sample Index Range	1 to 65535
Alarm Interval (seconds)	1 to 2147483647
Alarm Startup Alarm	Rising Alarm/Falling Alarm/ RisingOrFalling Alarm
Alarm Sample Type	Delta Value/Absolute
RMON Traps Supported	RisingAlarm/FallingAlarm These traps are generated whenever an Alarm entry crosses either its Rising Threshold or its Falling Threshold and generates an event configured for sending SNMP traps.

RMON Probe Defaults

The following table shows Remote Network Monitoring default values.

Global RMON Probe Defaults

Parameter Description	CLI Command	Default Value/Comments
RMON Probe Configuration	rmon probes	No RMON probes configured.

Quick Steps for Enabling/Disabling RMON Probes

1 Enable an inactive (or disable an active) RMON probe, where necessary. You can also enable or disable all probes of a particular flavor, if desired. For example:

```
-> rmon probes stats 1011 enable
-> rmon probes history disable
```

2 To verify the RMON probe configuration, enter the **show rmon probes** command with the keyword for the type of probe. For example, to display the statistics probes, enter the following:

```
-> show rmon probes stats
```

The display is similar to the one shown below:

```
Entry  Slot/Port  Flavor  Status  Duration  System Resources
-----+-----+-----+-----+-----+-----
1011   1/11    Ethernet Active   11930:27:05  272 bytes
```

3 To view statistics for a particular RMON probe, enter the **show rmon probes** command, with the keyword for the type of probe, followed by the entry number for the desired RMON probe. For example:

```
-> show rmon probes 1011
```

The display will appear similar to the one shown below:

```
Probe's Owner: Switch Auto Probe on Slot 1, Port 11
Entry 1011
Flavor = Ethernet, Status = Active,
Time = 11930 hrs 26 mins,
System Resources (bytes) = 272
```

For more information about these commands, see “[Displaying a List of RMON Probes](#)” on page 24-19, “[Displaying Statistics for a Particular RMON Probe](#)” on page 24-20 or the “RMON Commands” chapter in the *OmniSwitch CLI Reference Guide*.

Switch Health

The following sections detail the specifications, defaults, and quick set up steps for the switch health feature. Detailed procedures are found in [“Monitoring Switch Health” on page 24-23](#).

Switch Health Specifications

Health Functionality Supported	<ul style="list-style-type: none"> –Switch level CPU Utilization Statistics (percentage); –Switch/module/port level Input Utilization Statistics (percentage); –Switch/module/port level Input/Output Utilization Statistics (percentage); –Switch level Memory Utilization Statistics (percentage); –Device level (e.g., Chassis/CMM) Temperature Statistics (Celsius).
Monitored Resource Utilization Levels	<ul style="list-style-type: none"> –Most recent utilization level; –Average utilization level during last minute; –Average utilization level during last hour; –Maximum utilization level during last hour.
Resource Utilization Raw Sample Values	Saved for previous 60 seconds.
Resource Utilization Current Sample Values	Stored.
Resource Utilization Maximum Utilization Value	Calculated for previous 60 seconds and stored.
Utilization Value = 0	Indicates that none of the resource was measured for the period.
Utilization Value = 1	Indicates that a non-zero amount of the resource (less than 2%) was measured for the period.
Percentage Utilization Values	Calculated based on Resource Measured During Period/Total Capacity.
Resource Threshold Levels	Apply automatically across all levels of switch (switch/module/port).
Rising Threshold Crossing	A Resource Threshold was exceeded by its corresponding utilization value in the current cycle.
Falling Threshold Crossing	A Resource Threshold was exceeded by its corresponding utilization value in the previous cycle, but is not exceeded in the current cycle.
Threshold Crossing Traps Supported	Device, module, port-level threshold crossings.

Switch Health Defaults

The following table shows Switch Health default values.

Global Switch Health Defaults

Parameter Description	CLI Command	Default Value/Comments
Resource Threshold Limit Configuration	health threshold	80 percent
Sampling Interval Configuration	health interval	5 seconds
Switch Temperature	health interval	60 degrees Celsius

Quick Steps for Configuring Switch Health

1 Display the health threshold limits, health sampling interval settings and/or health statistics for the switch, depending on the parameters you wish to modify. (For best results, note the default settings for future reference.) For example:

```
-> show health threshold
```

The default settings for the command you entered will be displayed. For example:

```
Rx Threshold           = 80
TxRx Threshold        = 80
Memory Threshold      = 80
CPU Threshold         = 80
Temperature Threshold = 60
```

2 Enter the appropriate command to change the desired health threshold or health sampling interval parameter settings, or reset all health statistics for the switch. For example:

```
-> health threshold memory 85
```

Note. *Optional.* To verify the Switch Health configuration, enter **show health threshold** followed by the parameter you modified (e.g., **memory**). The display is similar to the one shown below:

```
Memory Threshold      = 85
```

For more information about this command, see [“Displaying Health Threshold Limits” on page 24-26](#) or the “Health Monitoring Commands” chapter in the *OmniSwitch CLI Reference Guide*.

Port Mirroring

You can set up port mirroring for any pair of Ethernet ports within the same switch chassis and across switches within a stack. Ethernet ports supporting port mirroring include 10BaseT/100BaseTX (RJ-45) and 1000BaseLX connectors. When port mirroring is enabled, the active “mirrored” port transmits and receives network traffic normally, and the “mirroring” port receives a copy of all transmit and receive traffic to the active port. You can connect an RMON probe or network analysis device to the mirroring port to see an exact duplication of traffic on the mirrored port without disrupting network traffic to and from the mirrored port.

Note. A port that is part of an aggregate link cannot be mirrored.

Port mirroring runs in the Chassis Management software and is supported for Ethernet (10 Mbps), Fast Ethernet (100 Mbps) and Gigabit Ethernet (1000 Mbps) ports. Up to four (4) port mirroring sessions are supported in a standalone switch or a stack consisting of two or more switches. However, only one (1) destination port is supported per standalone switch or stack. Therefore, only 1-to-1, 2-to-1, 3-to-1, and 4-to-1 configurations are supported in the current release.

Note. Both the mirrored and mirroring ports must be connected and up (enabled) to start mirroring.

What Ports Can Be Mirrored?

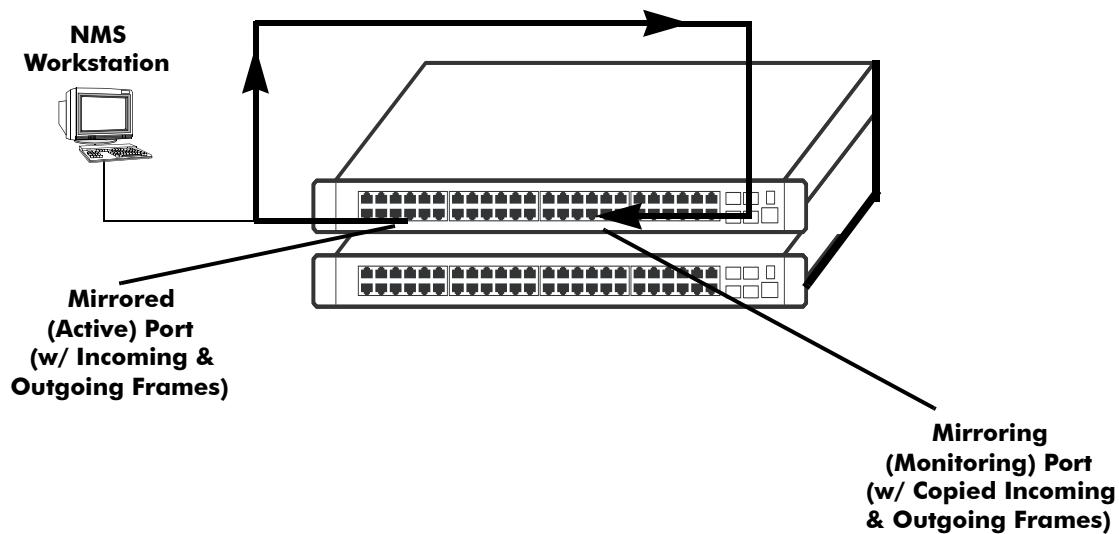
OmniSwitch 6800 Series switches support mirroring between any 10/100/1000 port to any other 10/100/100 port and between any SFP to any other SFP port.

How Port Mirroring Works

When a frame is received on a mirrored port, it is copied and sent to the mirroring port. The received frame is actually transmitted twice across the switch backplane—once for normal bridging and then again to the mirroring port.

When a frame is transmitted by the mirrored port, a copy of the frame is made, tagged with the mirroring port as the destination, and sent back over the switch backplane to the mirroring port. The diagram below illustrates the data flow between the mirrored and mirroring ports.

Note that when port mirroring is enabled, there may be some performance degradation, since all frames received and transmitted by the mirrored port need to be copied and sent to the mirroring port.



Relationship Between Mirrored and Mirroring Ports

What Happens to the Mirroring Port

When you set up port mirroring and attach cables to the mirrored and mirroring ports, the mirroring port remains enabled and part of the Bridging Spanning Tree until you protect it from Spanning Tree updates by specifying an unblocked VLAN as part of the configuration command line. The mirroring port does not transmit or receive any traffic on its own.

Using Port Mirroring with External RMON Probes

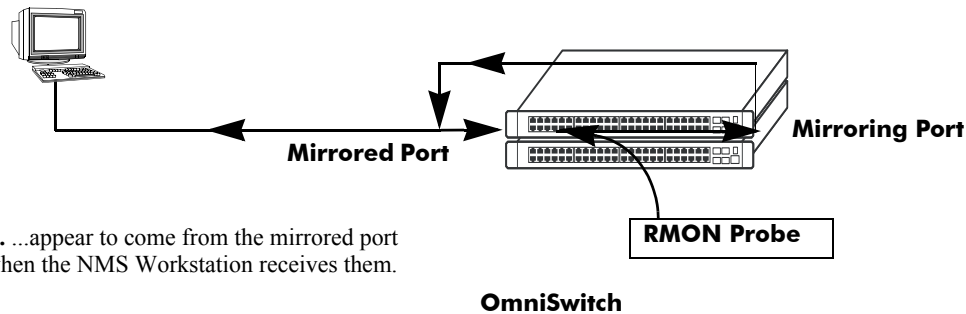
Port mirroring is a helpful monitoring tool when used in conjunction with an external RMON probe. Once you set up port mirroring, the probe can collect all relevant RMON statistics for traffic on the mirrored port. You can also move the mirrored port so that the mirroring port receives data from different ports. In this way, you can roam the switch and monitor traffic at various ports.

Note. If the mirroring port will monitor mirrored traffic on an RMON probe belonging to a different VLAN than the mirrored port, it should be protected from blocking due to Spanning Tree updates. See [“Unblocking Ports \(Protection from Spanning Tree\)”](#) on page 24-12 for details.

The following diagram illustrates how port mirroring can be used with an external RMON probe, to copy RMON probe frames and Management frames to and from the mirroring and mirrored ports. Frames received from an RMON probe attached to the mirroring port can be seen as being received by the mirrored port. These frames from the mirroring port are marked as if they are received on the mirrored port before being sent over the switch backplane to an NMS station. Therefore, management frames destined for the RMON probe are first forwarded out the mirrored port. After being received on the mirrored port, copies of the frames are mirrored out the mirroring port—the probe attached to the mirroring port receives the management frames.

NMS Workstation

A. RMON probe frames sent from the mirroring port...

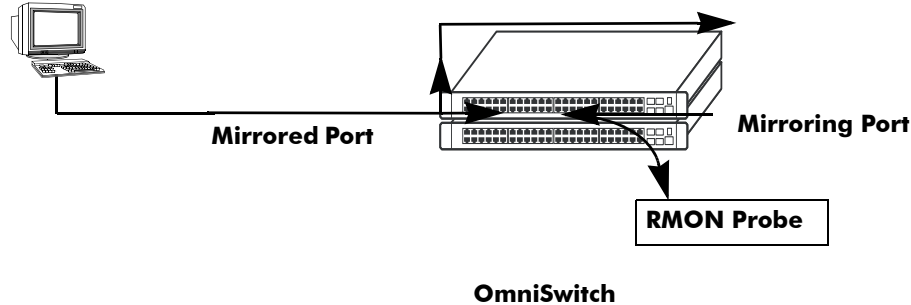


B. ...appear to come from the mirrored port when the NMS Workstation receives them.

C. Management frames from the NMS Workstation are sent to the mirrored port...

NMS Workstation

D. ...and port mirroring sends copies of the Management frames to the mirroring port.

**Port Mirroring Using External RMON Probe****Creating a Mirroring Session**

Before port mirroring can be used, it is necessary to create a port mirroring session. The **port mirroring source destination** CLI command can be used to create a mirroring session between a mirrored (active) port and a mirroring port. Up to four (4) port mirroring sessions are supported in a standalone switch or a stack consisting of two or more switches. However, only one (1) destination port is supported per standalone switch or stack.

Note. To prevent the mirroring (destination) port from being blocked due to Spanning Tree changes, be sure to specify the VLAN ID number (from 1 to 4094) for the port that will remain **unblocked** (protected from these changes while port mirroring is active). This parameter is optional; if it is not specified, changes resulting from Spanning Tree could cause the port to become blocked (default). See **Unblocking Ports (Protection from Spanning Tree)** below for details.

To create a mirroring session, enter the **port mirroring source destination** command, and include the port mirroring session ID number and the source and destination slot/ports, as shown in the following example:

```
-> port mirroring 6 source 2/3 destination 2/4
```

This command line specifies mirroring session 6, with the source (mirrored) port located in slot 2/port 3, and the destination (mirroring) port located in slot 3/port 4.

Note. Neither the mirrored nor the mirroring ports can be a mobile port. See [Chapter 6, “Assigning Ports to VLANs,”](#) for information on mobile ports.

Only one destination per standalone switch or two or more switches in a stack is supported. However, the same destination port can be shared by up to four sessions. In the following example sessions 1, 5, and 6 mirror source ports 1/2, 2/1, and 2/3 on destination port 2/4:

```
-> port mirroring 1 source 1/2 destination 2/4
-> port mirroring 5 source 2/1 destination 2/4
-> port mirroring 6 source 2/3 destination 2/4
```

Unblocking Ports (Protection from Spanning Tree)

If the mirroring port will monitor mirrored traffic on an RMON probe belonging to a different VLAN than the mirrored port, it should be protected from blocking due to Spanning Tree updates. To create a mirroring session that protects the mirroring port from being blocked (*default*) due to changes in Spanning Tree, enter the **port mirroring source destination** CLI command, and include the port mirroring session ID number, source and destination slot/ports, and unblocked VLAN ID number, as shown in the following example:

```
-> port mirroring 6 source 2/3 destination 2/4 unblocked 750
```

This command line specifies mirroring session 6, with the source (mirrored) port located in slot 2/port 3, and the destination (mirroring) port located in slot 2/port 4. The mirroring port on VLAN 750 is protected from Spanning Tree updates.

Note. If the unblocked VLAN identifier is not specified, the mirroring port could be blocked due to changes in Spanning Tree.

Enabling or Disabling Mirroring Status

Mirroring Status is the parameter by which you can enable or disable a mirroring session (i.e., turn port mirroring on or off). There are two ways to do this:

- *Creating a Mirroring Session and Enabling Mirroring Status or Disabling a Mirroring Session (Disabling Mirroring Status).* These procedures are described below and on the following page.
- *Enabling or Disabling a Port Mirroring Session*—“shorthand” versions of the above commands that require fewer keystrokes. Only the port mirroring session ID number needs to be specified, rather than the entire original command line syntax (e.g., source and destination slot/ports and optional unblocked VLAN ID number). See [“Enabling or Disabling a Port Mirroring Session \(Shorthand\)” on page 24-14](#) for details.

Note. A port that is part of an aggregate link cannot be mirrored.

Creating a Mirroring Session and Enabling Mirroring Status

To create a mirroring session with protection against blocking and mirroring status enabled (turning port mirroring on), enter the **port mirroring source destination** CLI command. Include the port mirroring session ID number, the source and destination slot/ports, optional unblocked VLAN ID number and **enable**, as shown in the following example:

```
-> port mirroring 6 source 2/3 destination 2/4 unblocked 750 enable
```

This command line specifies mirroring session 6, with the mirrored (active) port located in slot 2/port 3, and the mirroring port located in slot 2/port 4. The mirroring port on VLAN 750 is protected from Spanning Tree updates, and Mirroring Status is enabled (i.e., port mirroring is turned ON). Note that the port mirroring session identifier and slot/port locations of the designated interfaces must always be specified.

Note. Port mirroring session parameters cannot be modified when a mirroring session is enabled. Before you can modify parameters, the mirroring session must be disabled.

Disabling a Mirroring Session (Disabling Mirroring Status)

To disable the mirroring status of the configured session between a mirrored port and a mirroring port (turning port mirroring off), use the **port mirroring source destination** CLI command. Be sure to include the port mirroring session ID number and the keyword **disable**.

In this example the command specifies port mirroring session 6, with the mirrored (active) port located in slot 2/port 3, and the mirroring port located in slot 6/port 4. The mirroring status is disabled (i.e., port mirroring is turned off):

```
-> port mirroring 6 source disable
```

Note. You can modify the parameters of a port mirroring session that has been disabled.

Keep in mind that the port mirroring session configuration remains valid, even though port mirroring has been turned off. Note that the port mirroring session identifier and slot/port locations of the designated interfaces must always be specified.

Note. Note that the port mirroring session identifier and slot/port locations of the designated interfaces must always be specified.

Configuring Port Mirroring Direction

By default, port mirroring sessions are bidirectional. To configure the direction of a port mirroring session between a mirrored port and a mirroring port use the **port mirroring source destination** CLI command by entering port mirroring followed by the port mirroring session ID number, the source and destination slot/ports, and **bidirectional**, **inport**, or **outport**.

Note. Optionally, you can also specify the optional unblocked VLAN ID number and either **enable** or **disable** on the same command line.

In this example the command specifies port mirroring session 6, with the mirrored (active) port located in slot 2/port 3, and the mirroring port located in slot 6/port 4. The mirroring direction is unidirectional and inward bound:

```
-> port mirroring 6 source 2/3 destination 6/4 inport
```

In this example the command specifies port mirroring session 6, with the mirrored (active) port located in slot 2/port 3, and the mirroring port located in slot 6/port 4. The mirroring direction is unidirectional and outward bound:

```
-> port mirroring 6 source 2/3 destination 6/4 outport
```

You can use the bidirectional keyword to restore a mirroring session to its default bidirectional configuration. For example:

```
-> port mirroring 6 source 2/3 destination 6/4 bidirectional
```

Note. Note that the port mirroring session identifier and slot/port locations of the designated interfaces must always be specified.

Enabling or Disabling a Port Mirroring Session (Shorthand)

Once a port mirroring session configuration has been created, this command is useful for enabling or disabling it (turning port mirroring on or off) without having to re-enter the source and destination ports and unblocked VLAN ID command line parameters.

To enable a port mirroring session, enter the **port mirroring** command, followed by the port mirroring session ID number and the keyword **enable**. The following command enables port mirroring session 6 (turning port mirroring on):

```
-> port mirroring 6 enable
```

Note. Port mirroring session parameters cannot be modified when a mirroring session is enabled. Before you can modify parameters, the mirroring session must be disabled.

To disable a port mirroring session, enter the **port mirroring** command, followed by the port mirroring session ID number and the keyword **disable**. The following command disables port mirroring session 6 (turning port mirroring off):

```
-> port mirroring 6 disable
```

Displaying Port Mirroring Status

To display port mirroring status, use the **show port mirroring status** command. To display all port mirroring sessions enter:

```
-> show port mirroring status
```

A screen similar to the following will be displayed:

Session	Mirrored slot/port	Mirroring slot/port	Mirror Direction	Mirroring Vlan	Mirroring Status
6.	1/23	1/24	bidirectional	NONE	OFF
9.	1/23	2/11	inport	7	ON

To display a specific session enter **show port mirroring status** followed by the port mirroring session ID number. For example:

```
-> show port mirroring status 6
```

Session	Mirrored slot/port	Mirroring slot/port	Mirror Direction	Mirroring Vlan	Mirroring Status
6.	1/23	1/24	bidirectional	NONE	OFF

In this example, the status of the mirrored and mirroring ports in mirroring session 6 is displayed. The locations of the mirrored and mirroring ports are shown, (slot 1, port 14 and slot 1, port 16, respectively), along with the mirroring VLAN ID number (5), direction, and mirroring Status (port mirroring is OFF).

Deleting A Mirroring Session

The **no** form of the **port mirroring** command can be used to delete a previously created mirroring session configuration between a mirrored port and a mirroring port.

To delete a mirroring session, enter the **no port mirroring** command, followed by the port mirroring session ID number. For example:

```
-> no port mirroring 6
```

In this example, port mirroring session 6 is deleted.

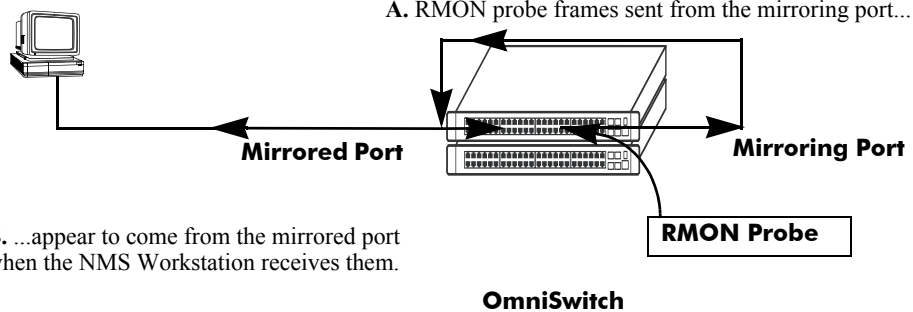
Note. The port mirroring session identifier must always be specified.

Remote Monitoring (RMON)

Remote Network Monitoring (RMON) is an SNMP protocol used to manage networks remotely. *RMON probes* can be used to collect, interpret and forward statistical data about network traffic from designated active ports in a LAN segment to an NMS (Network Management System) application for monitoring and analysis without negatively impacting network performance. RMON software is fully integrated in the Chassis Management software and works with the Ethernet software to acquire statistical information.

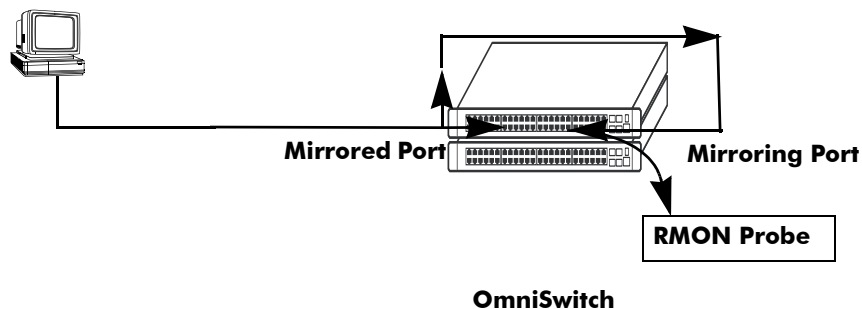
The following diagram illustrates how an External RMON Probe can be used with port mirroring to copy RMON probe frames and Management frames to and from the mirroring and mirrored ports. Frames received from an RMON probe attached to the mirroring port can be seen as being received by the mirrored port. These frames from the mirroring port are marked as if they are received on the mirrored port before being sent over the switch backplane to an NMS station. Therefore, management frames that are destined for the RMON probe are first forwarded out the mirrored port. After being received on the mirrored port, copies of the frames are mirrored out the mirroring port—the probe attached to the mirroring port receives the management frames.

NMS Workstation



C. Management frames from the NMS Workstation are sent to the mirrored port....

NMS Workstation



D. ...and port mirroring sends copies of the Management frames to the mirroring port.

Port Mirroring Using External RMON Probe

RMON probes can be enabled or disabled via CLI commands. Configuration of Alarm threshold values for RMON traps is a function reserved for RMON-monitoring NMS stations.

This feature supports basic RMON 4 group implementation in compliance with RFC 2819, including the **Ethernet Statistics**, **History** (Control & Statistics), **Alarms** and **Events** groups (*described below*).

Note. RMON 10 group and RMON2 are not implemented in the current release. An external RMON probe that includes RMON 10 group and RMON2 may be used where full RMON probe functionality is required.

Ethernet Statistics

Ethernet statistics probes are created whenever new ports are inserted and activated in the chassis. When a port is removed from the chassis or deactivated, the Ethernet statistics group entry associated with the physical port is invalidated and the probe is deleted.

The Ethernet statistics group includes port utilization and error statistics measured by the RMON probe for each monitored Ethernet interface on the switch. Examples of these statistics include CRC (Cyclic Redundancy Check)/alignment, undersized/oversized packets, fragments, broadcast/multicast/unicast, and bandwidth utilization statistics.

History (Control & Statistics)

The History (Control & Statistics) group controls and stores periodic statistical samplings of data from various types of networks. Examples include Utilization, Error Count and Frame Count statistics.

Alarm

The Alarm group collects periodic statistical samples from variables in the probe and compares them to previously configured thresholds. If a sample crosses a previously configured threshold value, an Event is generated. Examples include Absolute or Relative Values, Rising or Falling Thresholds on the Utilization Frame Count and CRC Errors.

Event

The Event group controls generation and notification of events from the switch to NMS stations. For example, customized reports based on the type of Alarm can be generated, printed and/or logged.

Note. The following RMON groups are not implemented: **Host**, **HostTopN**, **Matrix**, **Filter** and **Packet Capture**.

Enabling or Disabling RMON Probes

To enable or disable an individual RMON probe, enter the **rmon probes** CLI command. Be sure to specify the type of probe (**stats/history/alarm**), followed by the entry number (optional), as shown in the following examples.

The following command enables RMON Ethernet Statistics probe number 4012:

```
-> rmon probes stats 4012 enable
```

The following command disables RMON History probe number 10240:

```
-> rmon probes history 10240 disable
```

The following command enables RMON Alarm probe number 11235:

```
-> rmon probes alarm 11235 enable
```

To enable or disable an entire group of RMON probes of a particular flavor type (such as Ethernet Statistics, History or Alarm), enter the command **without** specifying an *entry-number*, as shown in the following examples.

The following command disables all currently defined (disabled) RMON Ethernet Statistics probes:

```
-> rmon probes stats disable
```

The following command enables all currently defined (disabled) RMON History probes:

```
-> rmon probes history enable
```

The following command enables all currently defined (disabled) RMON Alarm probes:

```
-> rmon probes alarm enable
```

Notes. Network activity on subnetworks attached to an RMON probe can be monitored by Network Management Software (NMS) applications.

Displaying RMON Tables

Two separate commands can be used to retrieve and view Remote Monitoring data: **show rmon probes** and **show rmon events**. The retrieved statistics appear in a *table* format (a collection of related data that meets the criteria specified in the command you entered). These RMON tables can display the following kinds of data (depending on the criteria you've specified):

- The **show rmon probes** command can display a list of current RMON probes, or statistics for a particular RMON probe.
- The **show rmon events** command can display a list of RMON events (actions that occur in response to Alarm conditions detected by an RMON probe), or statistics for a particular RMON event.

Displaying a List of RMON Probes

To view a list of current RMON probes, enter the **show rmon probes** command with the probe type without specifying an entry number for a particular probe.

For example, to show a list of the statistics probes, enter:

```
-> show rmon probes stats
```

A display showing all current statistics RMON probes should appear, as shown in the following example:

Entry	Slot/Port	Flavor	Status	Duration	System Resources
4001	4/1	Ethernet	Active	00:25:00	275 bytes
4008	4/8	Ethernet	Active	00:25:00	275 bytes
4005	4/5	Ethernet	Active	00:25:00	275 bytes

This table entry displays probe statistics for all probes on the switch. The probes are active, utilize 275 bytes of memory, and 25 minutes have elapsed since the last change in status occurred.

To show a list of the history probes, enter:

```
-> show rmon probes history
```

A display showing all current history RMON probes should appear, as shown in the following example:

Entry	Slot/Port	Flavor	Status	Duration	System Resources
1	1/1	History	Active	92:52:20	5464 bytes
30562	1/35	History	Active	00:31:22	312236 bytes
30817	1/47	History	Active	00:07:31	5200236 bytes

The table entry displays statistics for RMON History probes on the switch.

To show a list of the alarm probes, enter:

```
-> show rmon probes alarm
```

A display showing all current alarm RMON probes should appear, as shown in the following example:

Entry	Slot/Port	Flavor	Status	Duration	System Resources
31927	1/35	Alarm	Active	00:25:51	608 bytes

Displaying Statistics for a Particular RMON Probe

To view statistics for a particular current RMON probe, enter the **show rmon probes** command, specifying an entry number for a particular probe, such as:

```
-> show rmon probes 4005
```

A display showing statistics for the specified RMON probe will appear, as shown in the following sections.

Sample Display for Ethernet Statistics Probe

The display shown here identifies RMON Probe 4005's Owner description and interface location (OmniSwitch Auto Probe on slot 4, port 5), Entry number (4005), probe Flavor (Ethernet statistics), Status (Active). Additionally, the display indicates the amount of time that has elapsed since the last change in status (48 hours, 54 minutes), and the amount of memory allocated to the probe, measured in bytes (275).

```
-> show rmon probes 4005
```

```
Probe's Owner: Switch Auto Probe on Slot 4, Port 5
Entry 4005
Flavor = Ethernet, Status = Active
Time = 48 hrs 54 mins,

System Resources (bytes) = 275
```

Sample Display for History Probe

The display shown here identifies RMON Probe 10325's Owner description and interface location (Analyzer-p:128.251.18.166 on slot 1, port 35), the total number of History Control Buckets (samples) requested and granted (2), along with the time interval for each sample (30 seconds) and system-generated Sample Index ID number (5859). The probe Entry number identifier (10325), probe Flavor (History), and Status (Active), as well as the amount of time that has elapsed since the last change in status (48 hours, 53 minutes), and the amount of memory allocated to the probe, measured in bytes (601) are also displayed.

```
-> show rmon probes history 30562

Probe's Owner: Analyzer-p:128.251.18.166 on Slot 1, Port 35

History Control Buckets Requested    = 2
History Control Buckets Granted      = 2
History Control Interval              = 30 seconds
History Sample Index                  = 5859
Entry 10325
    Flavor = History, Status = Active
    Time = 48 hrs 53 mins,
    System Resources (bytes) = 601
```

Sample Display for Alarm Probe

The display shown here identifies RMON Probe 11235's Owner description and interface location (Analyzer-t:128.251.18.166 on slot 1, port 35), as well as the probe's Alarm Rising Threshold and Alarm Falling Threshold, maximum allowable values beyond which an alarm will be generated and sent to the Event group (5 and 0, respectively).

Additionally, the corresponding Alarm Rising Event Index number (26020) and Alarm Falling Event Index number (0), which link the Rising Threshold Alarm and Falling Threshold Alarm to events in the Event table, are identified. The Alarm Interval, a time period during which data is sampled (10 seconds) and Alarm Sample Type (delta value—variable) are also shown, as is the Alarm Variable ID number (1.3.6.1.2.1.16.1.1.1.5.4008). The probe Entry number identifier (11235), probe Flavor (Alarm), and Status (Active), as well as the amount of time that has elapsed since the last change in status (48 hours, 48 minutes), and the amount of memory allocated to the probe, measured in bytes (1677) are also displayed.

```
-> show rmon probes alarm 31927

Probe's Owner: Analyzer-t:128.251.18.166 on Slot 1, Port 35

Alarm Rising Threshold    = 5
Alarm Falling Threshold   = 0
Alarm Rising Event Index  = 26020
Alarm Falling Event Index = 0
Alarm Interval            = 10 seconds
Alarm Sample Type         = delta value
Alarm Startup Alarm       = rising alarm
Alarm Variable            = 1.3.6.1.2.1.16.1.1.1.5.4008
Entry 11235
    Flavor = Alarm, Status = Active
    Time = 48 hrs 48 mins,
    System Resources (bytes) = 1677
```

Displaying a List of RMON Events

RMON Events are actions that occur based on Alarm conditions detected by an RMON probe. To view a list of logged RMON Events, enter the **show rmon events** command without specifying an entry number for a particular probe, such as:

```
-> show rmon events
```

A display showing all logged RMON Events should appear, as shown in the following example:

Entry	Time	Description
1	00:08:00	etherStatsPkts.4008: [Falling trap] "Falling Event"
2	00:26:00	etherStatsCollisions.2008: "Rising Event"
3	00:39:00	etherStatsCollisions.2008: "Rising Event"

The display shown above identifies the Entry number of the specified Event, along with the elapsed time since the last change in status (measured in hours/minutes/seconds) and a description of the Alarm condition detected by the probe for all RMON Logged Events. For example, Entry number 3 is linked to etherStatsCollisions.2008: [Rising trap] "Rising Event," an Alarm condition detected by the RMON probe in which a trap was generated based on a Rising Threshold Alarm, with an elapsed time of 39 minutes since the last change in status.

Displaying a Specific RMON Event

To view information for a specific logged RMON Event, enter the **show rmon events** command, specifying an entry number (event number) for a particular probe, such as:

```
-> show rmon events 3
```

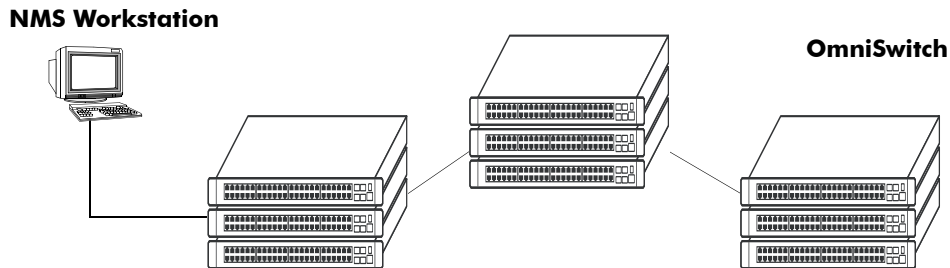
A display showing the specific logged RMON Event should appear, as shown in the following example:

Entry	Time	Description
3	00:39:00	etherStatsCollisions.2008: "Rising Event"

The display shown above identifies the Entry number of the specified Event, along with the elapsed time since the last change in status (measured in hours/minutes/seconds) and a description of the Alarm condition detected by the probe for the specific RMON Logged Event. For example, Entry number 3 is linked to etherStatsCollisions.2008: [Rising trap] "Rising Event," an Alarm condition detected by the RMON probe in which a trap was generated based on a Rising Threshold Alarm, with an elapsed time of 39 minutes since the last change in status.

Monitoring Switch Health

To monitor resource availability, the NMS (Network Management System) needs to collect significant amounts of data from each switch. As the number of ports per switch (and the number of switches) increases, the volume of data can become overwhelming. The Health Monitoring feature can identify and monitor a switch's resource utilization levels and thresholds, improving efficiency in data collection.



Monitoring Resource Availability from Multiple Ports and Switches

Health Monitoring provides the following data to the NMS:

- Switch-level Input/Output, Memory and CPU Utilization Levels
- Module-level and Port-level Input/Output Utilization Levels

For each monitored resource, the following variables are defined:

- Most recent utilization level (percentage)
- Average utilization level over the last minute (percentage)
- Average utilization level over the last hour (percentage)
- Maximum utilization level over the last hour (percentage)
- Threshold level

Additionally, Health Monitoring provides the capacity to specify thresholds for the resource utilization levels it monitors, and generates traps based on the specified threshold criteria.

The following sections include a discussion of CLI commands that can be used to configure resource parameters and monitor or reset statistics for switch resources. These commands include:

- **health threshold**—Configures threshold limits for input traffic (RX), output/input traffic (TX/RX), memory usage, CPU usage, and chassis temperature. See [page 24-25](#) for more information.
- **show health threshold**—Displays current health threshold settings. See [page 24-26](#) for details.
- **health interval**—Configures sampling interval between health statistics checks. See [page 24-27](#) for more information.
- **show health interval**—Displays current health sampling interval, measured in seconds. See [page 24-27](#) for details.
- **show health** —Displays health statistics for the switch, as percentages of total resource capacity. See [page 24-28](#) for more information.
- **health statistics reset**—Resets health statistics for the switch. See [page 24-29](#) for details.

Configuring Resource and Temperature Thresholds

Health Monitoring software monitors threshold levels for the switch's consumable resources—*bandwidth, RAM memory, and CPU capacity*—as well as the ambient chassis temperature. When a threshold is exceeded, the Health Monitoring feature sends a trap to the Network Management Station (NMS). A trap is an alarm alerting the user to specific network events and, in the case of Health-related traps, indicates specifically which threshold has been crossed.

Note. When a resource falls back below the configured threshold, an addition trap is sent to the user. This indicates that the resource is no longer operating beyond its configured threshold limit.

The **health threshold** command is used to configure threshold limits for input traffic (RX), output/input traffic (TX/RX), memory usage, CPU usage and chassis temperature.

To configure thresholds for these resources, enter the **health threshold** command, followed by the input traffic, output/input traffic, memory usage, CPU usage, or chassis temperature value, where:

rx	Specifies an input traffic (RX) threshold, in percent. This value defines the maximum percentage of total bandwidth allowed for <i>incoming traffic only</i> . The total bandwidth is the Ethernet port capacity of <i>all NI modules</i> currently operating in the switch, in Mbps. For example, a chassis with 48 100Base-T Ethernet ports installed has a total bandwidth of 4800 Mbps. Since the default RX threshold is 80 percent, the threshold is exceeded if the input traffic on all ports reaches 3840 Mbps or higher.
txrx	Specifies a value for the output/input traffic (TX/RX) threshold. This value defines the maximum percentage of total bandwidth allowed for <i>all incoming and outgoing traffic</i> . As with the RX threshold described above, the total bandwidth is defined as the Ethernet port capacity for all NI modules currently operating in the switch, in Mbps. The default TX/RX threshold is 80 percent.
memory	Specifies a value for the memory usage threshold. Memory usage refers to the total amount of RAM memory currently used by switch applications. The default memory usage threshold is 80 percent.
cpu	Specifies a value for the CPU usage threshold. CPU usage refers to the total amount of CPU processor capacity currently used by switch applications. The default CPU usage threshold is 80 percent.
temperature	Specifies a value for the chassis temperature threshold (Celsius). The default temperature threshold is 60 degrees Celsius.

For example, to specify a CPU usage threshold of 85 percent, enter the following command:

```
-> health threshold cpu 85
```

For more information on the **health threshold** command, refer to [Chapter 35, “Health Monitoring Commands,”](#) in the *OmniSwitch CLI Reference Guide*.

Note. When you specify a new value for a threshold limit, the value is automatically applied across all levels of the switch (switch, module and port). You cannot select differing values for each level.

Displaying Health Threshold Limits

The **show health threshold** command is used to view all current health thresholds on the switch, as well as individual thresholds for input traffic (RX), output/input traffic (TX/RX), memory usage, CPU usage and chassis temperature.

To view all health thresholds, enter the following command:

```
-> show health threshold
Rx Threshold           = 80
TxRx Threshold        = 80
Memory Threshold      = 80
CPU Threshold         = 80
Temperature Threshold = 60
```

To display a specific health threshold, enter the **show health threshold** command, followed by the appropriate suffix syntax:

- **rx**
- **txrx**
- **memory**
- **cpu**
- **temperature**

For example, if you want to view only the health threshold for memory usage, enter the following command:

```
-> show health threshold memory
Memory Threshold      = 80
```

Note. For detailed definitions of each of the threshold types, refer to [“Configuring Resource and Temperature Thresholds” on page 24-25](#), as well as [Chapter 35, “Health Monitoring Commands,”](#) in the *OmniSwitch CLI Reference Guide*.

Configuring Sampling Intervals

The **sampling interval** is the period of time between polls of the switch's consumable resources to monitor performance vis-a-vis previously specified thresholds. The **health interval** command can be used to configure the sampling interval between health statistics checks.

To configure the sampling interval, enter the **health interval** command, followed by the number of seconds.

For example, to specify a **sampling interval** value of 6 seconds, enter the following command:

```
-> health interval 6
```

Valid values for the seconds parameter include 1, 2, 3, 4, 5, 6, 10, 12, 15, 20, or 30.

Note. If the sampling interval is decreased, switch performance may be affected.

Viewing Sampling Intervals

The **show health interval** command can be used to display the current health sampling interval (period of time between health statistics checks), measured in seconds.

To view the sampling interval, enter the **show health interval** command. The currently configured health sampling interval (measured in seconds) will be displayed, as shown below:

```
-> show health interval
```

```
Sampling Interval = 5
```

Viewing Health Statistics for the Switch

The **show health** command can be used to display health statistics for the switch.

To display health statistics, enter the **show health** command, followed by the slot/port location and optional **statistics** keyword.

For example, to view health statistics for the entire switch, enter the **show health** command without specifying any additional parameters. A screen similar to the following example will be displayed, as shown below:

```
-> show health
* - current value exceeds threshold

Device          1 Min  1 Hr  1 Hr
Resources      Limit  Curr  Avg  Avg  Max
-----+-----+-----+-----+-----+-----
Receive        80     00   00   00   00
Transmit/Receive 80     00   00   00   00
Memory         80    87*   87   86   87
Cpu            80     08   05   04   08
Temperature Cmm 60 34   34   33   34
Temperature Cmm Cpu 60 28   28   27   28
```

In the screen sample shown above, the Device Resources field displays the device resources that are being measured (for example, Receive displays statistics for traffic received by the switch; Transmit/Receive displays statistics for traffic transmitted and received by the switch; Memory displays statistics for switch memory; and CPU displays statistics for the switch CPU). The Limit field displays currently configured device threshold levels as percentages of available bandwidth. The Curr field displays current bandwidth usage for the specified device resource. 1 Min. Avg. refers to the average device bandwidth used over a 1 minute period. 1 Hr. Avg. refers to the average device bandwidth used over a 1 hour period, and 1 Hr. Max. refers to the maximum device bandwidth used over a 1 hour period.

Note. If the Current value appears with an asterisk displayed next to it, the Current value exceeds the Threshold limit. For example, if the Current value for Memory displays as 85* and the Threshold Limit displays as 80, the asterisk indicates that the Current value has exceeded the Threshold Limit value.

Viewing Health Statistics for a Specific Interface

To view health statistics for slot 4/port 3, enter the **show health** command, followed by the appropriate slot and port numbers. A screen similar to the following example will be displayed, as shown below:

```
-> show health 4/3
* - current value exceeds threshold

Port 04/03
Resources          Limit      Curr      1 Min      1 Hr      1 Hr
                  +-----+ +-----+ +-----+ +-----+ +-----+
                  Avg          Avg          Avg          Avg          Max
-----+-----+-----+-----+-----+
Receive            80         01         01         01         01
Transmit/Receive  80         01         01         01         01
```

In the screen sample shown above, the port 04/03 Resources field displays the port resources that are being measured (for example, Receive displays statistics for traffic received by the switch, while Transmit/Receive displays statistics for traffic transmitted and received by the switch). The Limit field displays currently configured resource threshold levels as percentages of available bandwidth. The Curr field displays current bandwidth usage for the specified resource. 1 Min. Avg. refers to the average resource bandwidth used over a 1 minute period. 1 Hr. Avg. refers to the average resource bandwidth used over a 1 hour period, and 1 Hr. Max. refers to the maximum resource bandwidth used over a 1 hour period.

Resetting Health Statistics for the Switch

The **health statistics reset** command can be used to clear health statistics for the entire switch. This command cannot be used to clear statistics only for a specific module or port.

To reset health statistics for the switch, enter the **health statistics reset** command, as shown below:

```
-> health statistics reset
```


25 Using Switch Logging

Switch logging is an event logging utility that is useful in maintaining and servicing the switch. Switch logging uses a formatted string mechanism to either record or discard event data from switch applications. The log records are copied to the output devices configured for the switch. Log records can be sent to a text file and written into the flash file system. The log records can also be scrolled to the switch's console or to a remote IP address.

Switch logging information can be customized and configured through Command Line Interface (CLI) commands, WebView and SNMP. Log information can be helpful in resolving configuration or authentication issues, as well as general switch errors.

This chapter describes the switch logging feature, how to configure it and display switch logging information through the Command Line Interface (CLI). CLI commands are used in the configuration examples. For more details about the syntax of commands, see the *OmniSwitch CLI Reference Guide*.

In This Chapter

The following procedures are described:

- [“Enabling Switch Logging” on page 25-6](#)
- [“Setting the Switch Logging Severity Level” on page 25-6](#)
- [“Specifying the Switch Logging Output Device” on page 25-9](#)
- [“Displaying Switch Logging Status” on page 25-10](#)
- [“Displaying Switch Logging Records” on page 25-12](#)

Notes. Switch logging commands are not intended for use with low-level hardware and software debugging. It is strongly recommended that you contact an Alcatel Customer Service representative for assistance with debugging functions.

Switch Logging Specifications

Functionality Supported	High level event logging mechanism that forwards requests from applications to enabled logging devices.
Functionality Not Supported	Not intended for debugging individual hardware applications
Logging Devices	Flash Memory/Console/IP Address
Application ID Levels Supported	IDLE (255), DIAG (0), IPC-DIAG (1), QDRIVER (2), QDISPATCHER (3), IPC-LINK (4), NI-SUPERVISION (5), INTERFACE (6), 802.1Q (7), VLAN (8), GM (9), BRIDGE (10), STP (11), LINKAGG (12), QOS (13), RSVP (14), IP (15), IPMS (17), AMAP (18), GMAP (19), AAA (20), IPC-MON (21), IP-HELPER (22), PMM (23), MODULE (24), EIPC (26), CHASSIS (64), PORT-MGR (65), CONFIG (66), CLI (67), SNMP (68), WEB (69), MIPGW (70), SESSION (71), TRAP (72), POLICY (73), DRC (74), SYSTEM (75), HEALTH (76), NAN-DRIVER (78), RMON (79), TELENET (80), PSM (81), FTP (82), SNMI (83), DISTRIBUTIB (84), EPILOGUE (85), LDAP (86), NOS-NMP (87), SSL (88), DBGGW (89), LANPOWER (108)
Severity Levels/Types Supported	2 (Alarm - highest severity), 3 (Error), 4 (Alert), 5 (Warning) 6 (Info - default), 7 (Debug 1), 8 (Debug 2), 9 (Debug 3 - lowest severity)

Switch Logging Defaults

The following table shows switch logging default values.

Global Switch Logging Defaults

Parameter Description	CLI Command	Default Value/Comments
Enabling/Disabling switch logging	swlog	Enabled
Switch logging severity level	swlog appid level	No application ID or severity level defaults. The user must specify these values
Enabling/Disabling switch logging Output	swlog output	Flash Memory and Console
Switch logging file size	swlog output flash file-size	128000 bytes

Quick Steps for Configuring Switch Logging

- 1 Enable switch logging by using the following command:

```
-> swlog
```

- 2 Specify the ID of the application to be logged along with the logging severity level.

```
-> swlog appid bridge level warning
```

Here, the application ID specifies bridging and the severity is set to the “warning” level.

- 3 Specify the output device to which the switch logging information will be sent.

```
-> swlog output console
```

In this example, the switch logging information will be sent to the console port.

Note. *Optional.* To verify the switch logging configuration, enter the **show swlog** command. The display is similar to the one shown below:

```
Switch Logging is:
  - INITIALIZED
  - RUNNING

Log Device(s)
-----
flash
console

Only Applications not at the level 'info' (6) are shown
Application ID  Level
-----
BRIDGE(10)      warning (5)
```

For more information about this command, or the “Switch Logging Commands” chapter in the *OmniSwitch CLI Reference Guide*.

Switch Logging Overview

Switch logging uses a formatted string mechanism to process log requests from switch applications. When a log request is received, switch logging compares the severity level included with the request to the severity level stored for the application ID. If there is a match, a log message is generated using the format specified by the log request and placed on the switch log queue. Switch logging then returns control back to the calling application.

You can specify the path to where the log file will be printed in the switch's flash file system. You can also send the log file to other output devices, such as the console or remote IP address. In this case, the log records generated are copied to all configured output devices.

Switch logging information can be displayed and configured through CLI commands, WebView and SNMP. The information generated by switch logging can be helpful in resolving configuration or authentication issues, as well as general errors.

Notes. Although switch logging provides complementary functionality to switch debugging facilities, the switch logging commands are not intended for use with low-level hardware and software debugging functions.

The **configuration snapshot** command can be used to capture and save all switch logging configuration settings in a text file that can be viewed, edited, and used as a configuration file. See the "Working with Configuration Files" chapter of the *OmniSwitch 6800 Switch Management Guide* for details.

Switch Logging Commands Overview

This section describes the switch logging CLI commands, for enabling or disabling switch logging, displaying the current status of the switch logging feature, and displaying stored log information.

Enabling Switch Logging

The **swlog** command initializes and enables switch logging, while **no swlog** disables it.

To enable switch logging, enter the **swlog** command:

```
-> swlog
```

To disable switch logging, enter the **no swlog** command:

```
-> no swlog
```

No confirmation message will appear on the screen for either command.

Setting the Switch Logging Severity Level

The switch logging feature can log all switch error-type events for a particular switch application. You can also assign severity levels to the switch applications that will cause some of the events to be filtered out of your display. The **swlog appid level** command is used to assign the severity levels to the applications.

The syntax for the **swlog appid level** command requires that you identify a switch application and assign it a severity level. The severity level controls the kinds of error-type events that will be recorded by the switch logging function. If an application experiences an event equal to or greater than the severity level assigned to the application, the event will be recorded and forwarded to the configured output devices. You can specify the application either by the application ID CLI keyword or by its numeric equivalent.

The application ID information is shown in the following table. The severity level information is shown in the table beginning on [page 25-8](#).

CLI Keyword	Numeric Equivalent	Application ID
IDLE	255	APPID_IDLE
DIAG	0	APPID_DIAGNOSTICS
IPC-DIAG	1	APPID_IPC_DIAGNOSTICS
QDRIVER	2	APPID_QDRIVER
QDISPATCHER	3	APPID_QDISPATCHER
IPC-LINK	4	APPID_IPC_LINK
NI-SUPERVISION	5	APPID_NI_SUP_AND_PROBER
INTERFACE	6	APPID_ESM_DRIVER
802.1Q	7	APPID_802.1Q
VLAN	8	APPID_VLAN_MGR
GM	9	APPID_GROUPMOBILITY (RESERVED)
BRIDGE	10	APPID_SRCLEANING

CLI Keyword	Numeric Equivalent	Application ID
STP	11	APPID_SPANNINGTREE
LINKAGG	12	APPID_LINKAGGREGATION
QOS	13	APPID_QOS
RSVP	14	APPID_RSVP
IP	15	APPID_IP
IPMS	17	APPID_IPMS
AMAP	18	APPID_XMAP
GMAP	19	APPID_GMAP
AAA	20	APPID_AAA
IPC-MON	21	APPID_IPC_MON
IP-HELPER	22	APPID_BOOTP_RELAY
PMM	23	APPID_MIRRORING_MONITORING
MODULE	24	APPID_L3HRE
EIPC	26	APPID_EIPC
CHASSIS	64	APPID_CHASSISUPER
PORT-MGR	65	APPID_PORT_MANAGER
CONFIG	66	APPID_CONFIGMANAGER
CLI	67	APPID_CLI
SNMP	68	APPID_SNMP_AGENT
WEB	69	APPID_WEBMGT
MIPGW	70	APPID_MIPGW
SESSION	71	APPID_SESSION_MANAGER
TRAP	72	APPID_TRAP_MANAGER
POLICY	73	APPID_POLICY_MANAGER
DRC	74	APPID_DRC
SYSTEM	75	APPID_SYSTEM_SERVICES
HEALTH	76	APPID_HEALTHMON
NAN-DRIVER	78	APPID_NAN_DRIVER
RMON	79	APPID_RMON
TELNET	80	APPID_TELNET
PSM	81	APPID_PSM
FTP	82	APPID_FTP
SMNI	83	APPID_SMNI
DISTRIB	84	APPID_DISTRIB
EPILOGUE	85	APPID_EPILOGUE

CLI Keyword	Numeric Equivalent	Application ID
LDAP	86	APPID_LDAP
NOSNMP	87	APPID_NOSNMP
SSL	88	APPID_SSL
DBGGW	89	APPID_DBGGW
LANPOWER	108	APPID_LANPOWER

The **level** keyword assigns the error-type severity level to the specified application IDs. Values range from 2 (highest severity) to 9 (lowest severity). The values are defined in the following table:

Severity Level	Type	Description
2 (<i>highest severity</i>)	Alarm	A serious, non-recoverable error has occurred and the system should be rebooted.
3	Error	System functionality is reduced.
4	Alert	A violation has occurred.
5	Warning	An unexpected, non-critical event has occurred.
6 (<i>default</i>)	Info	Any other non-debug message.
7	Debug 1	A normal event debug message.
8	Debug 2	A debug-specific message.
9 (<i>lowest severity</i>)	Debug 3	A maximum verbosity debug message.

Specifying the Severity Level

To specify the switch logging severity level, use the **swlog appid level** command. The application ID can be expressed by using either the ID number or the application ID CLI keyword as listed in the table beginning on [page 25-6](#). The severity level can be expressed by using either the severity level number or the severity level type as shown in the table above. The following syntax assigns the “warning” severity level (or 5) to the “system” application, (ID number 75) by using the severity level and application names.

```
-> swlog appid system level warning
```

The following command makes the same assignment by using the severity level and application numbers.

```
-> swlog appid 75 level 3
```

No confirmation message appears on the screen for either command.

Removing the Severity Level

To remove the switch logging severity level, enter the **no swlog appid level** command, including the application ID and severity level values. The following is a typical example:

```
-> no swlog appid 75 level 5
```

Or, alternatively, as:

```
-> no swlog appid system level warning
```

No confirmation message will appear on the screen.

Specifying the Switch Logging Output Device

The **swlog output** command allows you to send the switch logging information to your console, to the switch's flash memory, or to a specified IP address.

Enabling/Disabling Switch Logging Output to the Console

To enable the switch logging output to the console, enter the following command:

```
-> swlog output console
```

To disable the switch logging output to the console, enter the following command:

```
-> no swlog output console
```

No confirmation message will appear on the console screen for either command.

Enabling/Disabling Switch Logging Output to Flash Memory

To enable the switch logging output to flash memory, enter the following:

```
-> swlog output flash
```

To disable the switch logging output to flash memory, enter the following command:

```
-> no swlog output flash
```

No confirmation message will appear on the screen for either command.

Specifying an IP Address for Switch Logging Output

To specify a particular IP address destination (e.g., a server) for switch logging output, enter the **swlog output socket ipaddr** command, specifying the target IP address to which output will be sent. For example, if the target IP address is 168.23.9.100, you would enter:

```
-> swlog output socket ipaddr 168.23.9.100
```

No confirmation message will appear on the screen.

Disabling an IP Address from Receiving Switch Logging Output

To disable a particular IP address from receiving switch logging output, enter the following command:

```
-> no swlog output socket
```

No confirmation message will appear on the screen.

Note. It is not necessary to specify the IP address in the **no swlog output socket** command.

Displaying Switch Logging Status

You can display the current status of switch logging onto your console screen by using the **show swlog** command. The following information is displayed:

- The enable/disable status of switch logging.
- A list of current output devices configured for switch logging.
- The switch logging severity level for each application that is not set to the “info” (6) setting.

The following is a sample display:

```
-> show swlog

Switch Logging is:
  - INITIALIZED
  - RUNNING

Log Device(s)
-----
flash
console

Only Applications not at the level 'info' (6) are shown
Application ID   Level
-----
CHASSIS (64)    debug3 (9)

->
```

For this example, switch logging is enabled. Switch logging information is being sent to the switch’s flash memory and to the console. Additionally, the severity level for the chassis application ID has been set to the “debug3” (or “9”) severity level.

Configuring the Switch Logging File Size

By default, the size of the switch logging file is 128000 bytes. To configure the size of the switch logging file use the **swlog output flash file-size** command. To use this command enter **swlog output flash file size** followed by the number of bytes, which must be at least 32000. (The maximum size the file can be is dependent on the amount of free memory available in flash memory.)

Note. Use the **ls** command, which is described in the *OmniSwitch 6800 Switch Management Guide*, to determine the amount of available flash memory.

For example, to set the switch logging file to 500000 bytes enter:

```
-> swlog output flash file-size 500000
```

Clearing the Switch Logging Files

You can clear the data stored in the switch logging files by executing the following command:

```
-> swlog clear
```

This command will cause the switch to clear all of the switch logging information and begin recording again. As a result, the switch will display a shorter file when you execute the **show log swlog** command. You may want to use **swlog clear** when the switch logging display is too long due to some of the data being old or out of date.

No confirmation message will appear on the screen.

Displaying Switch Logging Records

The **show log swlog** command can produce a display showing *all* switch logging information or you can display information according to session, timestamp, application ID or severity level. For details refer to see the *OmniSwitch CLI Reference Guide*. The following sample screen output shows a display of all switch logging information.

Note. Switch logging frequently records a very large volume of data. It can take several minutes for all switch logging information to scroll to the console screen.

```
-> show log swlog
Displaying file contents for 'swlog2.log'
FILEID: fileName[swlog2.log], endPtr[32]
        configSize[64000], currentSize[64000], mode[2]
Displaying file contents for 'swlog1.log'
FILEID: fileName[swlog1.log], endPtr[395]
        configSize[64000], currentSize[64000], mode[1]

Time Stamp                Application      Level   Log Message
-----+-----+-----+-----
MON NOV 11 12:42:11 2002      SYSTEM      info Switch Logging files cleared by
command
MON NOV 11 13:07:26 2002              WEB         info The HTTP session login successfu
l!
MON NOV 11 13:18:24 2002              WEB         info The HTTP session login successfu
l!
MON NOV 11 13:24:03 2002      TELNET      info New telnet connection, Address ,
128.251.30.88
MON NOV 11 13:24:03 2002      TELNET      info Session 4, Created
MON NOV 11 13:59:04 2002              WEB         info The HTTP session user logout suc
cessful!
```

The fields in the above example are defined as follows:

- The **FILE ID** field specifies the File name (e.g., swlog1.log), endPtr Global Sequence ID reference number (e.g., 9968), Configuration Size (e.g., 10000), Current Size (e.g., 10000), and Mode (e.g., 2).
- The **Timestamp** field indicates when the swlog entry occurred (e.g., THU, NOV 12, 02:06:52 2001).
- The **Application** field specifies the application ID for which the stored swlog information is displayed (e.g., SYSTEM).
- The **Level** field specifies the severity level for which the stored information is displayed (e.g., Warning).
- The **Log Message** field specifies the condition recorded by the switch logging feature. The information in this field usually wraps around to the next line of the screen display as shown in this example.

26 Monitoring Memory

Debug memory monitor commands can monitor memory allocation and free memory (such as detection of invalid free addresses and maintenance of size statistics). These commands are useful for monitoring logging of events, leak detection, classification of memory allocations, detection of invalid free addresses, and maintenance of size statistics.

Notes. System Debug (kTrace and sysTrace) commands are intended for use by qualified Alcatel Customer Support personnel to assist customers in diagnosing or debugging system performance. For information about these commands, see the chapter titled, “Memory Monitoring Commands” in the *OmniSwitch CLI Reference Guide*. It is strongly recommended that you contact an Alcatel Customer Service representative for assistance.

The Switch Logging feature is a high-level event logging mechanism that can also be useful in maintaining and servicing the switch. For information about this feature, see [Chapter 25, “Using Switch Logging”](#).

The **configuration snapshot** command can be used to capture and save all kTrace, sysTrace, Memory Monitor, and Switch Logging configuration settings in a “snapshot” text file that can be viewed, edited, and used as a configuration file. See the chapter titled, “Working with Configuration Files” in your *OmniSwitch 6800 Switch Management Guide* for details.

In This Chapter

This chapter describes the Memory Monitoring Commands and how to configure and display them in the Command Line Interface (CLI). CLI commands are used in the examples. For more information about the syntax of commands, see the *OmniSwitch CLI Reference Guide*.

The procedures described in this chapter include:

- “Enabling/Disabling Memory Monitoring Functions” on page 26-4.
- “Displaying the Memory Monitor Log” on page 26-5.
- “Displaying the Memory Monitor Global Statistics” on page 26-6.
- “Displaying the Memory Monitor Task Statistics” on page 26-7.
- “Displaying the Memory Monitor Size Statistics” on page 26-9.

Memory Monitoring Specifications

The following table shows Memory Monitoring specifications:

Functionality Supported	Fence Post/ Bad Address Detection/ Leak Monitoring/ Memory Classification/ Global Statistical Gathering/ Task Statistical Gathering/ Size Statistical Gathering.
Functionality Not Supported	Ownership Violations.
Show Command Output Devices Supported	Standard Out (console)/ Switch Logging/ sysTrace Buffer.

Memory Monitoring Defaults

The following table shows Memory Monitoring default values:

Parameter Description	CLI Command	Default Value/Comments
Memory Monitoring	debug memory monitor	Disabled

Quick Steps for Configuring Memory Monitoring

- 1 Use the following commands to enable Memory Monitoring. (Memory Monitoring is factory disabled by default.) For example:

```
-> debug memory monitor enable
```

- 2 To view Memory Monitoring log information, enter the **debug memory monitor show log** command. The display is similar to the one shown below:

```
-> debug memory monitor show log
```

Task Name	Comments	Memory Addr	Memory Size	Addr of OS call	func Called	Calling Function	Previous Caller
tssApp_2*	TCB Stac	00ca1550	20680	0013a180	objAllocEx	taskSpawn	ssAppChild
tssApp_2*	Vx B Sem	02317ca8	28	001374d0	objAlloc	pipe	ssAppChild
tssApp_2*	Vx B Sem	02317f78	28	001374d0	objAlloc	pipe	ssAppChild
tssApp_2*		0107be78	5121	0012cfc8	malloc	pipe	ssAppChild
tssApp_2*		023182b0	16	0012cfa8	malloc	pipe	ssAppChild
tssApp_2*		024fdc90	9	00105fb0	malloc	pipe	ssAppChild
tssApp_2*		016d6548	288	000af228	malloc	ssAppChild	mip_msg_qu
CliShell10	Vx C Sem	035fe590	28	0011f038	semCCreate	zcSelect	mip_msg_do

The information displayed above includes the task that owns the memory block, the type of memory block that has been allocated, the address and size of the memory block, the address of the operating system call that allocated the memory block, the function that contained the call that allocated the memory block, and the Calling Function and Previous Caller function (that called the above-mentioned functions).

Note. *Optional.* Display the Memory Monitoring Size Statistics. The display is similar to the one shown below.

```
-> debug memory monitor show log size
```

Lower Limit	Upper Limit	Currently Allocated	Cummulatively Allocated
0	16	14439	31689
16	32	6299	7704923
32	64	4833	373109
64	128	44248	145775
128	256	12367	122315
256	512	52096	228673
512	1024	26778	365552
1024	2048	24572	358630
2048	4096	49648	274071
4096	8192	50793	1534291
8192	16384	478292	673610
16384	32768	431784	1075783
32768	65536	850216	1588017
65536		5130020	25675316

For more information about this command, see “[Displaying the Memory Monitor Log](#)” on page 26-5 or the “[Switch Logging Commands](#)” chapter in the *OmniSwitch CLI Reference Guide*.

Debug Memory Commands Overview

The Debug Memory Commands provide monitoring of memory allocation and free memory. By providing a method to enable/disable memory monitoring and display memory usage reports, these commands can be used to monitor logging of events, leak detection, classification of memory allocations, detection of invalid free addresses, and maintenance of size statistics. Additionally, the following automatic outputs will occur under specific conditions:

- If there is an attempt to free an invalid address, the monitor will create a switch log message, cause a Post Mortem Dump (PMD) of the memory monitor variables and log, and suspend the task. For information about using the [show log pmd](#) command to view the contents of a stored PMD file, see the chapter titled, “Memory Monitoring Commands” in the *OmniSwitch CLI Reference Guide*.
- If a memory leak of unclassified memory is detected, the service will generate a sysTrace (System Trace) message. The system trace facility provides a consistent, high-level mechanism for capturing event records in a history buffer. Captured sysTrace information can be referenced for system debugging. For information about using the sysTrace utility to enable, disable or view sysTrace log information, see the chapter titled, “Memory Monitoring Commands” in the *OmniSwitch CLI Reference Guide*.

Configuring Debug Memory Commands

This section describes the Debug Memory commands, which include separate commands for enabling or disabling memory monitoring, as well as displaying memory log information, global statistics, task statistics, and size statistics.

Enabling/Disabling Memory Monitoring Functions

The [debug memory monitor](#) command enables or disables the memory monitoring functions.

To enable memory monitoring, enter:

```
-> debug memory monitor enable
```

No confirmation message will appear onscreen.

To disable Memory Monitoring, enter:

```
-> debug memory monitor disable
```

No confirmation message will appear onscreen.

Displaying the Memory Monitor Log

The **debug memory monitor show log** command displays memory monitoring log information. By entering this command, a display similar to the following will appear onscreen:

```
-> debug memory monitor show log
```

Task Name	Comments	Memory Addr	Memory Size	Memory Addr of OS call	OS func Called	Calling Function	Previous Caller
tssApp_2*	TCB Stac	00ca1550	20680	0013a180	objAllocEx	taskSpawn	ssAppChild
tssApp_2*	Vx B Sem	02317ca8	28	001374d0	objAlloc	pipe	ssAppChild
tssApp_2*	Vx B Sem	02317f78	28	001374d0	objAlloc	pipe	ssAppChild
tssApp_2*		0107be78	5121	0012cfc8	malloc	pipe	ssAppChild
tssApp_2*		023182b0	16	0012cfa8	malloc	pipe	ssAppChild
tssApp_2*		024fdc90	9	00105fb0	malloc	pipe	ssAppChild
tssApp_2*		016d6548	288	000af228	malloc	ssAppChild	mip_msg_qu
CliShell0	Vx C Sem	035fe590	28	0011f038	semCCreate	zcSelect	mip_msg_do
SsApp	Vx C Sem	035fe4b8	28	0011f038	semCCreate	zcSelect	tssAppMain
CliShell0		02318250	2	02b33a3c	malloc	SSLexLexem	SSYaccStac
CliShell0		02317538	56	02b33a3c	malloc	SSLexLexem	SSYaccStac
CliShell0		016d6670	272	02b33a3c	malloc	SSYaccStac	SSYaccPars
CliShell0		02318260	1	02b33a3c	malloc	SSLexLexem	SSYaccStac
CliShell0		02317718	56	02b33a3c	malloc	SSLexLexem	SSYaccStac
CliShell0		016d68b0	272	02b33a3c	malloc	SSYaccStac	PropagateP
CliShell0		023182c8	4	02b33a3c	malloc	SSLexLexem	SSYaccStac
CliShell0		027b0060	56	02b33a3c	malloc	SSLexLexem	SSYaccStac
CliShell0		01896b28	272	02b33a3c	malloc	SSYaccStac	SSYaccPars
CliShell0		023182d8	4	02b33a3c	malloc	SSLexLexem	SSYaccStac
CliShell0		035fe4e0	56	02b33a3c	malloc	SSLexLexem	SSYaccStac
CliShell0		01e3d928	272	02b33a3c	malloc	SSYaccStac	SSYaccPars
CliShell0		024fdca8	4	02b33a3c	malloc	SSLexLexem	SSYaccStac
CliShell0		035fe3e0	56	02b33a3c	malloc	SSLexLexem	SSYaccStac
CliShell0		022b3ab0	272	02b33a3c	malloc	SSYaccStac	SSYaccPars
CliShell0		024fdcb8	3	02b33a3c	malloc	SSLexLexem	SSYaccStac
CliShell0		01e37e40	56	02b33a3c	malloc	SSLexLexem	SSYaccStac
CliShell0		022b3bc8	272	02b33a3c	malloc	SSYaccStac	SSYaccPars
CliShell0		02314da8	272	02b33a3c	malloc	SSYaccStac	SSYaccInit
CliShell0		023183d8	512	02b33a3c	malloc	CliParse	clishell_m
CliShell0		027b0100	576	02b33a3c	malloc	CliParse	clishell_m
CliShell0		0107a128	2404	02b33a3c	malloc	CliParse	clishell_m
CliShell0		0107aa98	1280	02b33a3c	malloc	CliParse	clishell_m
Stp	Vx C Sem	024fdcc8	28	0011f038	semCCreate	zcSelect	stpSock_st
LnkAgg	Vx C Sem	023182e8	28	0011f038	semCCreate	zcSelect	lagg_Sock_
AmapMgr	Vx C Sem	02318270	28	0011f038	semCCreate	zcSelect	xmap_main_
GrpMob	Vx C Sem	035fe5b8	28	0011f038	semCCreate	zcSelect	gmcWaitFor
GmapMgr	Vx C Sem	02317fa0	28	0011f038	semCCreate	zcRecvfrom	gmap_main_
VlanMgr	Vx C Sem	02317cd0	28	0011f038	semCCreate	zcSelect	vmcWaitFor
NanDrvr	Vx C Sem	02318158	28	0011f038	semCCreate	zcRecvfrom	nanDriver

In the screen sample shown above, the **Task Name** field displays the task that owns the memory block. The **Comments** field explains what type of memory block has been allocated. The **Memory Addr** and **Memory Size** fields display the address and size of the memory block. The **Addr of OS Call** field displays the address of the operating system call that allocated the memory block. The **OS func Called** field displays the function that contained the call that allocated the memory block. The **Calling Function** field displays the function that called the above-mentioned function. The **Previous Caller** field displays the function that called the above-mentioned function.

Displaying the Memory Monitor Global Statistics

The **debug memory monitor show log global** command can display memory monitoring global statistics. By specifying the global variable to view global statistics, a display similar to the following should appear:

```
-> debug memory monitor show log global
```

```
Current      = 33741  
Cumulative  = 687952
```

In the screen sample shown above, the **Current** and **Cumulative** fields display statistics indicating the amount of dynamic memory allocated globally (currently and cumulatively) since the memory log was last enabled. For example, statistics displayed above indicate that 33741 bytes of memory are currently allocated and 687952 bytes were cumulatively allocated since the last enable.

Displaying the Memory Monitor Task Statistics

The **debug memory monitor show log task** command can display memory monitoring task statistics. By specifying the task variable to view task statistics, a display similar to the following should appear:

```
-> debug memory monitor show log task
```

Task Name	Current	Cumulative
tssApp0_4	26369	52594
cliConsole	16169	20186
tIpxGapper	242	242
tIpxTimer	214	214
tDrcIprm	1801287	1801315
DrcTm	479453	675448
WebView	53690	340083
Rmon	285084	334616
SlbCtrl	578	578
PolMgr	808	15704
Qos	47096	938852
UdpRly	8320	8348
Vrrp	622	1198
Ipx	29634	29634
ipmpm	231152	231152
ipmfm	480422	480450
Ipmem	423686	423686
GmapMgr	9128	263872
AmapMgr	284	891188
LnkAgg	86988	1867592
8021q	128	184
Ipx	29634	29634
stpTick	1024	1024
Stp	70782	1555454
GrpMob	128	669300
SrcLrn	12516	12572
EsmDrv	356	74752
PsMgr	168	308
L3Hre	528	528
Health	249	127649
AAA	221312	222236
Ipedr	31500	105868
NanDrvr	56	74396
Ftpd	56	56
Telnetd	9552	9552
tCS_CVM	28	28
tssApp65535_3	228	228
SsApp	49088	198284
SesMgr	69200	202029
SNMPagt	26347	210129

--Output continues on the following page--

Task Name	Current	Cumulative
TrapMgr	4548	63976
Elpc	2336	2392
VlanMgr	208	149672
PortMgr	804	75424
Gateway	84	140
CfgMgr	228	897491
tCS_HSM	1240	2500
tCS_CMS	188	328
tCS_PRB	312	340
tCS_CCM	612	12555
tCSCSMtask	586128	15256874
tSwLogTask		13519+

->

In the screen sample shown above, the **Task Name** field identifies the Task ID. The **Current** and **Cumulative** fields display statistics indicating the amount of dynamic memory allocated to the specified task (currently and cumulatively) since the memory log was enabled. For example, statistics displayed in the second entry in the table indicate that 16169 bytes of memory are currently allocated and 20168 bytes were cumulatively allocated for the **cliConsole** task.

Displaying the Memory Monitor Size Statistics

The `debug memory monitor show log size` command can display memory monitoring size statistics. By entering the size variable to view size statistics, a display similar to the following should appear:

```
-> debug memory monitor show log size
  Lower      Upper      Currently      Cumulatively
  Limit      Limit      Allocated      Allocated
-----+-----+-----+-----
    0         16         14439          31689
   16         32         6299           7704923
   32         64         4833           373109
   64        128        44248          145775
  128        256        12367          122315
  256        512        52096          228673
  512       1024        26778          365552
 1024       2048        24572          358630
 2048       4096        49648          274071
 4096       8192        50793          1534291
 8192      16384       478292          673610
16384     32768       431784          1075783
32768     65536       850216          1588017
65536                    5130020          25675316

->
```

In the screen sample shown above, the **Lower Limit** and **Upper Limit** fields display statistics indicating the lower limit and upper limit of the memory (range) being sampled. The **Currently Allocated** and **Cumulatively Allocated** fields display statistics indicating the amount of memory currently allocated and cumulatively allocated to the specified size ranges (in bytes). For example, statistics displayed in the last entry in the table indicate that 5130020 bytes are currently allocated and 25675316 bytes were cumulatively allocated for the memory range greater than or equal to 65536 bytes.

A Software License and Copyright Statements

This appendix contains Alcatel and third-party software vendor license and copyright statements.

Alcatel License Agreement

ALCATEL INTERNETWORKING, INC. ("AII") SOFTWARE LICENSE AGREEMENT

IMPORTANT. Please read the terms and conditions of this license agreement carefully before opening this package.

By opening this package, you accept and agree to the terms of this license agreement. If you are not willing to be bound by the terms of this license agreement, do not open this package. Please promptly return the product and any materials in unopened form to the place where you obtained it for a full refund.

1. **License Grant.** This is a license, not a sales agreement, between you (the "Licensee") and AII. AII hereby grants to Licensee, and Licensee accepts, a non-exclusive license to use program media and computer software contained therein (the "Licensed Files") and the accompanying user documentation (collectively the "Licensed Materials"), only as authorized in this License Agreement. Licensee, subject to the terms of this License Agreement, may use one copy of the Licensed Files on the Licensee's system. Licensee agrees not to assign, sublicense, transfer, pledge, lease, rent, or share their rights under this License Agreement. Licensee may retain the program media for backup purposes with retention of the copyright and other proprietary notices. Except as authorized under this paragraph, no copies of the Licensed Materials or any portions thereof may be made by Licensee and Licensee shall not modify, decompile, disassemble, reverse engineer, or otherwise attempt to derive the Source Code. Licensee is also advised that AII products contain embedded software known as firmware which resides in silicon. Licensee may not copy the firmware or transfer the firmware to another medium.

2. **AII's Rights.** Licensee acknowledges and agrees that the Licensed Materials are the sole property of AII and its licensors (herein "its licensors"), protected by U.S. copyright law, trademark law, and are licensed on a right to use basis. Licensee further acknowledges and agrees that all rights, title, and interest in and to the Licensed Materials are and shall remain with AII and its licensors and that no such right, license, or interest shall be asserted with respect to such copyrights and trademarks. This License Agreement does not convey to Licensee an interest in or to the Licensed Materials, but only a limited right to use revocable in accordance with the terms of this License Agreement.

3. **Confidentiality.** AII considers the Licensed Files to contain valuable trade secrets of AII, the unauthorized disclosure of which could cause irreparable harm to AII. Except as expressly set forth herein, Licensee agrees to use reasonable efforts not to disclose the Licensed Files to any third party and not to use the Licensed Files other than for the purpose authorized by this License Agreement. This confidentiality obligation shall continue after any termination of this License Agreement.

4. **Indemnity.** Licensee agrees to indemnify, defend and hold AII harmless from any claim, lawsuit, legal proceeding, settlement or judgment (including without limitation AII's reasonable United States and local attorneys' and expert witnesses' fees and costs) arising out of or in connection with the unauthorized copying, marketing, performance or distribution of the Licensed Files.

5. **Limited Warranty.** AII warrants, for Licensee's benefit alone, that the program media shall, for a period of ninety (90) days from the date of commencement of this License Agreement (referred to as the Warranty Period), be free from defects in material and workmanship. AII further warrants, for Licensee benefit alone, that during the Warranty Period the Licensed Files shall operate substantially in accordance with the functional specifications in the User Guide. If during the Warranty Period, a defect in the Licensed Files appears, Licensee may return the Licensed Files to AII for either replacement or, if so elected by AII, refund of amounts paid by Licensee under this License Agreement. EXCEPT FOR THE WARRANTIES SET FORTH ABOVE, THE LICENSED MATERIALS ARE LICENSED "AS IS" AND AII AND ITS LICENSORS DISCLAIM ANY AND ALL OTHER WARRANTIES, WHETHER EXPRESS OR IMPLIED, INCLUDING (WITHOUT LIMITATION) ANY IMPLIED WARRANTIES OF MERCHANTABILITY OR FITNESS FOR A PARTICULAR PURPOSE. SOME STATES DO NOT ALLOW THE EXCLUSION OF IMPLIED WARRANTIES SO THE ABOVE EXCLUSIONS MAY NOT APPLY TO LICENSEE. THIS WARRANTY GIVES THE LICENSEE SPECIFIC LEGAL RIGHTS. LICENSEE MAY ALSO HAVE OTHER RIGHTS WHICH VARY FROM STATE TO STATE.

6. **Limitation of Liability.** AII's cumulative liability to Licensee or any other party for any loss or damages resulting from any claims, demands, or actions arising out of or relating to this License Agreement shall not exceed the license fee paid to AII for the Licensed Materials. IN NO EVENT SHALL AII BE LIABLE FOR ANY INDIRECT, INCIDENTAL, CONSEQUENTIAL, SPECIAL, OR EXEMPLARY DAMAGES OR LOST PROFITS, EVEN IF AII HAS BEEN ADVISED OF THE POSSIBILITY OF SUCH DAMAGES. SOME STATES DO NOT ALLOW THE LIMITATION OR EXCLUSION OF LIABILITY FOR INCIDENTAL OR CONSEQUENTIAL DAMAGES, SO THE ABOVE LIMITATION OR EXCLUSION TO INCIDENTAL OR CONSEQUENTIAL DAMAGES MAY NOT APPLY TO LICENSEE.

7. **Export Control.** This product is subject to the jurisdiction of the United States. Licensee may not export or reexport the Licensed Files, without complying with all United States export laws and regulations, including but not limited to (i) obtaining prior authorization from the U.S. Department of Commerce if a validated export license is required, and (ii) obtaining "written assurances" from licensees, if required.

8. **Support and Maintenance.** Except as may be provided in a separate agreement between AII and Licensee, if any, AII is under no obligation to maintain or support the copies of the Licensed Files made and distributed hereunder and AII has no obligation to furnish Licensee with any further assistance, documentation or information of any nature or kind.

9. **Term.** This License Agreement is effective upon Licensee opening this package and shall continue until terminated. Licensee may terminate this License Agreement at any time by returning the Licensed Materials and all copies thereof and extracts therefrom to AII and certifying to AII in writing that all Licensed Materials and all copies thereof and extracts therefrom have been returned or erased by the memory of Licensee's computer or made non-readable. AII may terminate this License Agreement upon the breach by Licensee of any term hereof. Upon such termination by AII, Licensee agrees to return to AII or destroy the Licensed Materials and all copies and portions thereof.

10. **Governing Law.** This License Agreement shall be construed and governed in accordance with the laws of the State of California.

11. **Severability.** Should any term of this License Agreement be declared void or unenforceable by any court of competent jurisdiction, such declaration shall have no effect on the remaining terms herein.

12. **No Waiver.** The failure of either party to enforce any rights granted hereunder or to take action against the other party in the event of any breach hereunder shall not be deemed a waiver by that party as to subsequent enforcement of rights or subsequent actions in the event of future breaches.

13. **Notes to United States Government Users.** Software and documentation are provided with restricted rights. Use, duplication or disclosure by the government is subject to (i) restrictions set forth in GSA ADP Schedule Contract with AII's reseller(s), or (ii) restrictions set forth in subparagraph (c) (1) and (2) of 48 CFR 52.227-19, as applicable.

14. **Third Party Materials.** Licensee is notified that the Licensed Files contain third party software and materials licensed to AII by certain third party licensors. Some third party licensors (e.g., Wind River and their licensors with respect to the Run-Time Module) are third part beneficiaries to this License Agreement with full rights of enforcement. Please refer to the section entitled "[Third Party Licenses and Notices](#)" on page A-4 for the third party license and notice terms.

Third Party Licenses and Notices

The licenses and notices related only to such third party software are set forth below:

A. Booting and Debugging Non-Proprietary Software

A small, separate software portion aggregated with the core software in this product and primarily used for initial booting and debugging constitutes non-proprietary software, some of which may be obtained in source code format from AII for a limited period of time. AII will provide a machine-readable copy of the applicable non-proprietary software to any requester for a cost of copying, shipping and handling. This offer will expire 3 years from the date of the first shipment of this product.

B. The OpenLDAP Public License: Version 2.4, 8 December 2000

Redistribution and use of this software and associated documentation (“Software”), with or without modification, are permitted provided that the following conditions are met:

- 1 Redistributions of source code must retain copyright statements and notices.
- 2 Redistributions in binary form must reproduce applicable copyright statements and notices, this list of conditions, and the following disclaimer in the documentation and/or other materials provided with the distribution.
- 3 Redistributions must contain a verbatim copy of this document.
- 4 The names and trademarks of the authors and copyright holders must not be used in advertising or otherwise to promote the sale, use or other dealing in this Software without specific, written prior permission.
- 5 Due credit should be given to the OpenLDAP Project.
- 6 The OpenLDAP Foundation may revise this license from time to time. Each revision is distinguished by a version number. You may use the Software under terms of this license revision or under the terms of any subsequent revision of the license.

THIS SOFTWARE IS PROVIDED BY THE OPENLDAP FOUNDATION AND CONTRIBUTORS “AS IS” AND ANY EXPRESSED OR IMPLIED WARRANTIES, INCLUDING, BUT NOT LIMITED TO, THE IMPLIED WARRANTIES OF MERCHANTABILITY AND FITNESS FOR A PARTICULAR PURPOSE ARE DISCLAIMED. IN NO EVENT SHALL THE OPENLDAP FOUNDATION OR ITS CONTRIBUTORS BE LIABLE FOR ANY DIRECT, INDIRECT, INCIDENTAL, SPECIAL, EXEMPLARY, OR CONSEQUENTIAL DAMAGES (INCLUDING, BUT NOT LIMITED TO, PROCUREMENT OF SUBSTITUTE GOODS OR SERVICES; LOSS OF USE, DATA, OR PROFITS; OR BUSINESS INTERRUPTION) HOWEVER CAUSED AND ON ANY THEORY OF LIABILITY, WHETHER IN CONTRACT, STRICT LIABILITY, OR TORT (INCLUDING NEGLIGENCE OR OTHERWISE) ARISING IN ANY WAY OUT OF THE USE OF THIS SOFTWARE, EVEN IF ADVISED OF THE POSSIBILITY OF SUCH DAMAGE.

OpenLDAP is a trademark of the OpenLDAP Foundation.

Copyright 1999-2000 The OpenLDAP Foundation, Redwood City, California, USA. All Rights Reserved. Permission to copy and distributed verbatim copies of this document is granted.

C. Linux

Linux is written and distributed under the GNU General Public License which means that its source code is freely-distributed and available to the general public.

D. GNU GENERAL PUBLIC LICENSE: Version 2, June 1991

Copyright (C) 1989, 1991 Free Software Foundation, Inc. 675 Mass Ave, Cambridge, MA 02139, USA
Everyone is permitted to copy and distribute verbatim copies of this license document, but changing it is not allowed.

Preamble

The licenses for most software are designed to take away your freedom to share and change it. By contrast, the GNU General Public License is intended to guarantee your freedom to share and change free software--to make sure the software is free for all its users. This General Public License applies to most of the Free Software Foundation's software and to any other program whose authors commit to using it. (Some other Free Software Foundation software is covered by the GNU Library General Public License instead.) You can apply it to your programs, too.

When we speak of free software, we are referring to freedom, not price. Our General Public Licenses are designed to make sure that you have the freedom to distribute copies of free software (and charge for this service if you wish), that you receive source code or can get it if you want it, that you can change the software or use pieces of it in new free programs; and that you know you can do these things.

To protect your rights, we need to make restrictions that forbid anyone to deny you these rights or to ask you to surrender the rights. These restrictions translate to certain responsibilities for you if you distribute copies of the software, or if you modify it.

For example, if you distribute copies of such a program, whether gratis or for a fee, you must give the recipients all the rights that you have. You must make sure that they, too, receive or can get the source code. And you must show them these terms so they know their rights.

We protect your rights with two steps: (1) copyright the software, and (2) offer you this license which gives you legal permission to copy, distribute and/or modify the software.

Also, for each author's protection and ours, we want to make certain that everyone understands that there is no warranty for this free software. If the software is modified by someone else and passed on, we want its recipients to know that what they have is not the original, so that any problems introduced by others will not reflect on the original authors' reputations.

Finally, any free program is threatened constantly by software patents. We wish to avoid the danger that redistributors of a free program will individually obtain patent licenses, in effect making the program proprietary. To prevent this, we have made it clear that any patent must be licensed for everyone's free use or not licensed at all.

The precise terms and conditions for copying, distribution and modification follow.

GNU GENERAL PUBLIC LICENSE TERMS AND CONDITIONS FOR COPYING, DISTRIBUTION AND MODIFICATION

0 This License applies to any program or other work which contains a notice placed by the copyright holder saying it may be distributed under the terms of this General Public License. The "Program", below, refers to any such program or work, and a "work based on the Program" means either the Program or any derivative work under copyright law: that is to say, a work containing the Program or a portion of it, either

verbatim or with modifications and/or translated into another language. (Hereinafter, translation is included without limitation in the term “modification”.) Each licensee is addressed as “you”.

Activities other than copying, distribution and modification are not covered by this License; they are outside its scope. The act of running the Program is not restricted, and the output from the Program is covered only if its contents constitute a work based on the Program (independent of having been made by running the Program). Whether that is true depends on what the Program does.

1 You may copy and distribute verbatim copies of the Program’s source code as you receive it, in any medium, provided that you conspicuously and appropriately publish on each copy an appropriate copyright notice and disclaimer of warranty; keep intact all the notices that refer to this License and to the absence of any warranty; and give any other recipients of the Program a copy of this License along with the Program.

You may charge a fee for the physical act of transferring a copy, and you may at your option offer warranty protection in exchange for a fee.

2 You may modify your copy or copies of the Program or any portion of it, thus forming a work based on the Program, and copy and distribute such modifications or work under the terms of Section 1 above, provided that you also meet all of these conditions:

- a** You must cause the modified files to carry prominent notices stating that you changed the files and the date of any change.
- b** You must cause any work that you distribute or publish, that in whole or in part contains or is derived from the Program or any part thereof, to be licensed as a whole at no charge to all third parties under the terms of this License.
- c** If the modified program normally reads commands interactively when run, you must cause it, when started running for such interactive use in the most ordinary way, to print or display an announcement including an appropriate copyright notice and a notice that there is no warranty (or else, saying that you provide a warranty) and that users may redistribute the program under these conditions, and telling the user how to view a copy of this License. (Exception: if the Program itself is interactive but does not normally print such an announcement, your work based on the Program is not required to print an announcement.)

These requirements apply to the modified work as a whole. If identifiable sections of that work are not derived from the Program, and can be reasonably considered independent and separate works in themselves, then this License, and its terms, do not apply to those sections when you distribute them as separate works. But when you distribute the same sections as part of a whole which is a work based on the Program, the distribution of the whole must be on the terms of this License, whose permissions for other licensees extend to the entire whole, and thus to each and every part regardless of who wrote it. Thus, it is not the intent of this section to claim rights or contest your rights to work written entirely by you; rather, the intent is to exercise the right to control the distribution of derivative or collective works based on the Program.

In addition, mere aggregation of another work not based on the Program with the Program (or with a work based on the Program) on a volume of a storage or distribution medium does not bring the other work under the scope of this License.

3 You may copy and distribute the Program (or a work based on it, under Section 2) in object code or executable form under the terms of Sections 1 and 2 above provided that you also do one of the following:

- a** Accompany it with the complete corresponding machine-readable source code, which must be distributed under the terms of Sections 1 and 2 above on a medium customarily used for software interchange; or,

b Accompany it with a written offer, valid for at least three years, to give any third party, for a charge no more than your cost of physically performing source distribution, a complete machine-readable copy of the corresponding source code, to be distributed under the terms of Sections 1 and 2 above on a medium customarily used for software interchange; or,

c Accompany it with the information you received as to the offer to distribute corresponding source code. (This alternative is allowed only for noncommercial distribution and only if you received the program in object code or executable form with such an offer, in accord with Subsection b above.)

The source code for a work means the preferred form of the work for making modifications to it. For an executable work, complete source code means all the source code for all modules it contains, plus any associated interface definition files, plus the scripts used to control compilation and installation of the executable. However, as a special exception, the source code distributed need not include anything that is normally distributed (in either source or binary form) with the major components (compiler, kernel, and so on) of the operating system on which the executable runs, unless that component itself accompanies the executable.

If distribution of executable or object code is made by offering access to copy from a designated place, then offering equivalent access to copy the source code from the same place counts as distribution of the source code, even though third parties are not compelled to copy the source along with the object code.

4 You may not copy, modify, sublicense, or distribute the Program except as expressly provided under this License. Any attempt otherwise to copy, modify, sublicense or distribute the Program is void, and will automatically terminate your rights under this License. However, parties who have received copies, or rights, from you under this License will not have their licenses terminated so long as such parties remain in full compliance.

5 You are not required to accept this License, since you have not signed it. However, nothing else grants you permission to modify or distribute the Program or its derivative works. These actions are prohibited by law if you do not accept this License. Therefore, by modifying or distributing the Program (or any work based on the Program), you indicate your acceptance of this License to do so, and all its terms and conditions for copying, distributing or modifying the Program or works based on it.

6 Each time you redistribute the Program (or any work based on the Program), the recipient automatically receives a license from the original licensor to copy, distribute or modify the Program subject to these terms and conditions. You may not impose any further restrictions on the recipients' exercise of the rights granted herein. You are not responsible for enforcing compliance by third parties to this License.

7 If, as a consequence of a court judgment or allegation of patent infringement or for any other reason (not limited to patent issues), conditions are imposed on you (whether by court order, agreement or otherwise) that contradict the conditions of this License, they do not excuse you from the conditions of this License. If you cannot distribute so as to satisfy simultaneously your obligations under this License and any other pertinent obligations, then as a consequence you may not distribute the Program at all. For example, if a patent license would not permit royalty-free redistribution of the Program by all those who receive copies directly or indirectly through you, then the only way you could satisfy both it and this License would be to refrain entirely from distribution of the Program.

If any portion of this section is held invalid or unenforceable under any particular circumstance, the balance of the section is intended to apply and the section as a whole is intended to apply in other circumstances.

It is not the purpose of this section to induce you to infringe any patents or other property right claims or to contest validity of any such claims; this section has the sole purpose of protecting the integrity of the free software distribution system, which is implemented by public license practices. Many people have made generous contributions to the wide range of software distributed through that system in reliance on

consistent application of that system; it is up to the author/donor to decide if he or she is willing to distribute software through any other system and a licensee cannot impose that choice.

This section is intended to make thoroughly clear what is believed to be a consequence of the rest of this License.

8 If the distribution and/or use of the Program is restricted in certain countries either by patents or by copyrighted interfaces, the original copyright holder who places the Program under this License may add an explicit geographical distribution limitation excluding those countries, so that distribution is permitted only in or among countries not thus excluded. In such case, this License incorporates the limitation as if written in the body of this License.

9 The Free Software Foundation may publish revised and/or new versions of the General Public License from time to time. Such new versions will be similar in spirit to the present version, but may differ in detail to address new problems or concerns.

Each version is given a distinguishing version number. If the Program specifies a version number of this License which applies to it and “any later version”, you have the option of following the terms and conditions either of that version or of any later version published by the Free Software Foundation. If the Program does not specify a version number of this License, you may choose any version ever published by the Free Software Foundation.

10 If you wish to incorporate parts of the Program into other free programs whose distribution conditions are different, write to the author to ask for permission. For software which is copyrighted by the Free Software Foundation, write to the Free Software Foundation; we sometimes make exceptions for this. Our decision will be guided by the two goals of preserving the free status of all derivatives of our free software and of promoting the sharing and reuse of software generally.

NO WARRANTY

11 BECAUSE THE PROGRAM IS LICENSED FREE OF CHARGE, THERE IS NO WARRANTY FOR THE PROGRAM, TO THE EXTENT PERMITTED BY APPLICABLE LAW. EXCEPT WHEN OTHERWISE STATED IN WRITING THE COPYRIGHT HOLDERS AND/OR OTHER PARTIES PROVIDE THE PROGRAM “AS IS” WITHOUT WARRANTY OF ANY KIND, EITHER EXPRESSED OR IMPLIED, INCLUDING, BUT NOT LIMITED TO, THE IMPLIED WARRANTIES OF MERCHANTABILITY AND FITNESS FOR A PARTICULAR PURPOSE. THE ENTIRE RISK AS TO THE QUALITY AND PERFORMANCE OF THE PROGRAM IS WITH YOU. SHOULD THE PROGRAM PROVE DEFECTIVE, YOU ASSUME THE COST OF ALL NECESSARY SERVICING, REPAIR OR CORRECTION.

12 IN NO EVENT UNLESS REQUIRED BY APPLICABLE LAW OR AGREED TO IN WRITING WILL ANY COPYRIGHT HOLDER, OR ANY OTHER PARTY WHO MAY MODIFY AND/OR REDISTRIBUTE THE PROGRAM AS PERMITTED ABOVE, BE LIABLE TO YOU FOR DAMAGES, INCLUDING ANY GENERAL, SPECIAL, INCIDENTAL OR CONSEQUENTIAL DAMAGES ARISING OUT OF THE USE OR INABILITY TO USE THE PROGRAM (INCLUDING BUT NOT LIMITED TO LOSS OF DATA OR DATA BEING RENDERED INACCURATE OR LOSSES SUSTAINED BY YOU OR THIRD PARTIES OR A FAILURE OF THE PROGRAM TO OPERATE WITH ANY OTHER PROGRAMS), EVEN IF SUCH HOLDER OR OTHER PARTY HAS BEEN ADVISED OF THE POSSIBILITY OF SUCH DAMAGES.

END OF TERMS AND CONDITIONS

Appendix: How to Apply These Terms to Your New Programs

If you develop a new program, and you want it to be of the greatest possible use to the public, the best way to achieve this is to make it free software which everyone can redistribute and change under these terms.

To do so, attach the following notices to the program. It is safest to attach them to the start of each source file to most effectively convey the exclusion of warranty; and each file should have at least the “copyright” line and a pointer to where the full notice is found.

```
<one line to give the program's name and a brief idea of what it does.> Copyright (C)
19yy <name of author>
```

This program is free software; you can redistribute it and/or modify it under the terms of the GNU General Public License as published by the Free Software Foundation; either version 2 of the License, or (at your option) any later version.

This program is distributed in the hope that it will be useful, but WITHOUT ANY WARRANTY; without even the implied warranty of MERCHANTABILITY or FITNESS FOR A PARTICULAR PURPOSE. See the GNU General Public License for more details.

You should have received a copy of the GNU General Public License along with this program; if not, write to the Free Software Foundation, Inc., 675 Mass Ave, Cambridge, MA 02139, USA.

Also add information on how to contact you by electronic and paper mail.

If the program is interactive, make it output a short notice like this when it starts in an interactive mode:

```
Gnomovision version 69, Copyright (C) 19yy name of author Gnomovision comes with
ABSOLUTELY NO WARRANTY; for details type 'show w'. This is free software,
and you are welcome to redistribute it under certain conditions; type 'show c' for details.
```

The hypothetical commands ‘show w’ and ‘show c’ should show the appropriate parts of the General Public License. Of course, the commands you use may be called something other than ‘show w’ and ‘show c’; they could even be mouse-clicks or menu items--whatever suits your program.

You should also get your employer (if you work as a programmer) or your school, if any, to sign a “copyright disclaimer” for the program, if necessary. Here is a sample; alter the names:

```
Yoyodyne, Inc., hereby disclaims all copyright interest in the program 'Gnomovision'
(which makes passes at compilers) written by James Hacker.
```

```
<signature of Ty Coon>, 1 April 1989
Ty Coon, President of Vice
```

This General Public License does not permit incorporating your program into proprietary programs. If your program is a subroutine library, you may consider it more useful to permit linking proprietary applications with the library. If this is what you want to do, use the GNU Library General Public License instead of this License.

URLWatch:

For notice when this page changes, fill in your email address.

Maintained by: Webmaster, Linux Online Inc.

Last modified: 09-Aug-2000 02:03AM.

Views since 16-Aug-2000: 177203.

Material copyright Linux Online Inc.
Design and compilation copyright (c)1994-2002 Linux Online Inc.
Linux is a registered trademark of Linus Torvalds
Tux the Penguin, featured in our logo, was created by Larry Ewing
Consult our privacy statement

URLWatch provided by URLWatch Services.
All rights reserved.

E. University of California

Provided with this product is certain TCP input and Telnet client software developed by the University of California, Berkeley.

F. Carnegie-Mellon University

Provided with this product is certain BOOTP Relay software developed by Carnegie-Mellon University.

G. Random.c

PR 30872 B Kesner created May 5 2000
PR 30872 B Kesner June 16 2000 moved batch_entropy_process to own task iWhirlpool to make code more efficient

random.c -- A strong random number generator

Version 1.89, last modified 19-Sep-99

Copyright Theodore Ts'o, 1994, 1995, 1996, 1997, 1998, 1999. All rights reserved.

Redistribution and use in source and binary forms, with or without modification, are permitted provided that the following conditions are met:

1. Redistributions of source code must retain the above copyright notice, and the entire permission notice in its entirety, including the disclaimer of warranties.
2. Redistributions in binary form must reproduce the above copyright notice, this list of conditions and the following disclaimer in the documentation and/or other materials provided with the distribution.
3. The name of the author may not be used to endorse or promote products derived from this software without specific prior written permission. ALTERNATIVELY, this product may be distributed under the terms of the GNU Public License, in which case the provisions of the GPL are required INSTEAD OF the above restrictions. (This clause is necessary due to a potential bad interaction between the GPL and the restrictions contained in a BSD-style copyright.)

THIS SOFTWARE IS PROVIDED "AS IS" AND ANY EXPRESS OR IMPLIED WARRANTIES, INCLUDING, BUT NOT LIMITED TO, THE IMPLIED WARRANTIES OF MERCHANTABILITY AND FITNESS FOR A PARTICULAR PURPOSE, ALL OF WHICH ARE HEREBY DISCLAIMED. IN NO EVENT SHALL THE AUTHOR BE LIABLE FOR ANY DIRECT, INDIRECT, INCIDENTAL, SPECIAL, EXEMPLARY, OR CONSEQUENTIAL DAMAGES (INCLUDING, BUT NOT LIMITED TO, PROCUREMENT OF SUBSTITUTE GOODS OR SERVICES; LOSS OF USE, DATA, OR PROFITS; OR BUSINESS INTERRUPTION) HOWEVER CAUSED AND ON ANY THEORY OF LIABILITY, WHETHER IN CONTRACT, STRICT LIABILITY, OR TORT (INCLUDING NEGLIGENCE OR OTHERWISE) ARISING IN ANY WAY OUT OF THE USE OF THIS SOFTWARE, EVEN IF NOT ADVISED OF THE POSSIBILITY OF SUCH DAMAGE.

H. Apptitude, Inc.

Provided with this product is certain network monitoring software (“MeterWorks/RMON”) licensed from Apptitude, Inc., whose copyright notice is as follows: Copyright (C) 1997-1999 by Apptitude, Inc. All Rights Reserved. Licensee is notified that Apptitude, Inc. (formerly, Technically Elite, Inc.), a California corporation with principal offices at 6330 San Ignacio Avenue, San Jose, California, is a third party beneficiary to the Software License Agreement. The provisions of the Software License Agreement as applied to MeterWorks/RMON are made expressly for the benefit of Apptitude, Inc., and are enforceable by Apptitude, Inc. in addition to AII. IN NO EVENT SHALL APPTITUDE, INC. OR ITS SUPPLIERS BE LIABLE FOR ANY DAMAGES, INCLUDING COSTS OF PROCUREMENT OF SUBSTITUTE PRODUCTS OR SERVICES, LOST PROFITS, OR ANY SPECIAL, INDIRECT, CONSEQUENTIAL OR INCIDENTAL DAMAGES, HOWEVER CAUSED AND ON ANY THEORY OF LIABILITY, ARISING IN ANY WAY OUT OF THIS AGREEMENT.

I. Agranat

Provided with this product is certain web server software (“EMWEB PRODUCT”) licensed from Agranat Systems, Inc. (“Agranat”). Agranat has granted to AII certain warranties of performance, which warranties [or portion thereof] AII now extends to Licensee. IN NO EVENT, HOWEVER, SHALL AGRANAT BE LIABLE TO LICENSEE FOR ANY INDIRECT, SPECIAL, OR CONSEQUENTIAL DAMAGES OF LICENSEE OR A THIRD PARTY AGAINST LICENSEE ARISING OUT OF, OR IN CONNECTION WITH, THIS DISTRIBUTION OF EMWEB PRODUCT TO LICENSEE. In case of any termination of the Software License Agreement between AII and Licensee, Licensee shall immediately return the EMWEB Product and any back-up copy to AII, and will certify to AII in writing that all EMWEB Product components and any copies of the software have been returned or erased by the memory of Licensee’s computer or made non-readable.

J. RSA Security Inc.

Provided with this product is certain security software (“RSA Software”) licensed from RSA Security Inc. RSA SECURITY INC. PROVIDES RSA SOFTWARE “AS IS” WITHOUT ANY WARRANTY WHATSOEVER. RSA SECURITY INC. DISCLAIMS ALL WARRANTIES, EXPRESS, IMPLIED OR STATUTORY, AS TO ANY MATTER WHATSOEVER INCLUDING ALL IMPLIED WARRANTIES OF MERCHANTABILITY, FITNESS FOR A PARTICULAR PURPOSE AND NON-INFRINGEMENT OF THIRD PARTY RIGHTS.

K. Sun Microsystems, Inc.

This product contains Coronado ASIC, which includes a component derived from designs licensed from Sun Microsystems, Inc.

L. Wind River Systems, Inc.

Provided with this product is certain software (“Run-Time Module”) licensed from Wind River Systems, Inc. Licensee is prohibited from: (i) copying the Run-Time Module, except for archive purposes consistent with Licensee’s archive procedures; (ii) transferring the Run-Time Module to a third party apart from the product; (iii) modifying, decompiling, disassembling, reverse engineering or otherwise attempting to derive the source code of the Run-Time Module; (iv) exporting the Run-Time Module or underlying technology in contravention of applicable U.S. and foreign export laws and regulations; and (v) using the Run-Time Module other than in connection with operation of the product. In addition, please be advised that: (i) the Run-Time Module is licensed, not sold and that AII and its licensors retain ownership of all copies of the Run-Time Module; (ii) WIND RIVER DISCLAIMS ALL IMPLIED WARRANTIES, INCLUDING WITHOUT LIMITATION THE IMPLIED WARRANTIES OF MERCHANTABILITY, FITNESS FOR A PARTICULAR PURPOSE, (iii) The SOFTWARE LICENSE AGREEMENT EXCLUDES LIABILITY FOR ANY SPECIAL, INDIRECT, PUNITIVE, INCIDENTAL AND CONSEQUENTIAL DAMAGES; and (iv) any further distribution of the Run-Time Module shall be subject to the same restrictions set forth herein. With respect to the Run-Time Module, Wind River and its licensors are third party beneficiaries of the License Agreement and the provisions related to the Run-Time Module are made expressly for the benefit of, and are enforceable by, Wind River and its licensors.

M. Network Time Protocol Version 4

The following copyright notice applies to all files collectively called the Network Time Protocol Version 4 Distribution. Unless specifically declared otherwise in an individual file, this notice applies as if the text was explicitly included in the file.

```

*****
*
* Copyright (c) David L. Mills 1992-2003
*
* Permission to use, copy, modify, and distribute this software and
* its documentation for any purpose and without fee is hereby
* granted, provided that the above copyright notice appears in all
* copies and that both the copyright notice and this permission
* notice appear in supporting documentation, and that the name
* University of Delaware not be used in advertising or publicity
* pertaining to distribution of the software without specific,
* written prior permission. The University of Delaware makes no
* representations about the suitability this software for any
* purpose. It is provided "as is" without express or implied
* warranty.
*
*****

```

Index

Numerics

- 10/100/1000 ports
 - defaults 1-3
- 802.1p
 - trusted ports 21-20
- 802.1Q 9-1
 - application example 9-9
 - defaults 9-2
 - enabling tagging 9-5, 9-6
 - forcing switch internal tag 9-8
 - frame type 9-7
 - overview 9-3
 - specifications 9-2
 - trusted ports 21-5, 21-21
- 802.1Q ports
 - trusted 21-20
- 802.1X 19-1
 - accounting 19-6
 - and authenticated VLANs 19-7
 - and DHCP 19-6
 - components 19-5
 - defaults 19-2
 - port authorization 19-9
 - port behavior 19-5
 - port parameters 19-9
 - port timeouts 19-9
 - re-authentication 19-6, 19-10
 - specifications 19-2
- 802.1x** command 19-2
- 802.1x initialize** command 19-11
- 802.1x re-authenticate** command 19-10
- 802.3ad
 - see* dynamic link aggregation

A

- aaa accounting 802.1x** command 19-11
- aaa accounting vlan** command 18-32, 18-35
- aaa ace-server clear** command 17-8
- aaa authentication 802.1x** command 19-3, 19-8
 - and 802.1X port behavior 19-5
- aaa authentication vlan multiple-mode** command 18-32
- aaa authentication vlan single-mode** command 18-32
- aaa avlan default dhcp** command 18-31
- aaa avlan dns** command 18-29
- aaa avlan http language** command 18-8
- aaa ldap-server** command
 - LDAP authentication 17-25
- aaa radius-server** command 19-8
 - RADIUS authentication 17-14
- aaa vlan no** command 18-26

- Access Control Lists
 - see* ACLs
- accounting servers 18-35
- ACE/Server
 - for authentication 17-8
- ACLs
 - application examples 22-3, 22-15
 - bridged traffic 22-6
 - defaults 22-2
 - disposition 22-4, 22-7
 - interaction with VRRP 16-8
 - Layer 2 22-10
 - Layer 2 application examples 22-11
 - Layer 3 22-11
 - Layer 3 application examples 22-12
 - multicast 22-12
 - verify information about 22-13
- actions
 - combined with conditions 21-7
 - for ACLs 22-9
 - how to create 21-26
- Address Resolution Protocol
 - see* ARP
- advertisements 14-6, 14-8
 - destination address 14-9
 - IP address preference 14-10
 - lifetime 14-10
 - transmission interval 14-9
- Alcatel Mapping Adjacency Protocol 8-1
- alerts 25-8
- AMAP
 - see* Alcatel Mapping Adjacency Protocol
- amap common time** command 8-6
- amap disable** command 8-5
- amap discovery time** command 8-5
- amap enable** command 8-5
- application examples
 - 802.1Q 9-9
 - ACLs 22-3
 - assigning ports to VLANs 6-3
 - authenticated VLANs 18-5
 - authentication servers 17-4
 - combo ports 1-24
 - DHCP Relay 15-3, 15-5, 15-7
 - dynamic link aggregation 11-4, 11-29
 - Ethernet 1-24
 - ICMP policies 21-51
 - interswitch protocols 8-8, 8-11
 - IP 12-2
 - IPMS 23-15
 - Layer 2 ACLs 22-11
 - Layer 3 ACLs 22-12
 - memory monitoring 26-3
 - mobile ports 6-3, 6-6, 6-8
 - policies 21-49
 - policy map groups 21-43
 - port mirroring 24-4
 - QoS 21-23, 21-49
 - RIP 13-3

- RMON 24-6
- source learning 2-2
- Spanning Tree Algorithm and Protocol 5-6, 5-21
- static link aggregation 10-3, 10-11
- switch health 24-8
- switch logging 25-4
- VLAN rules 7-3, 7-20
- VLANs 4-3, 4-14, 6-3
- VRRP 16-3, 16-16
- applied configuration 21-46
 - how to verify 21-48
- ARP
 - clearing the ARP cache 12-8
 - creating a permanent entry 12-7
 - deleting a permanent entry 12-8
 - dynamic entry 12-7
- arp** command 12-7
- assigning ports to VLANs 4-6, 6-1
 - application examples 6-3
 - defaults 6-2
 - dynamic port assignment 6-4
 - static port assignment 6-4
- authenticated mobile ports 4-11, 6-17
- Authenticated Switch Access
 - LDAP VSAs 17-21
- authenticated VLANs 4-11, 18-1
 - application example 18-5
 - DHCP Relay 15-5
 - port mobility 18-28
 - removing a user 18-26
 - with 802.1X 19-7
- authentication clients
 - compared 18-7
 - see also* AV-Client, Telnet, Web browser
 - used with authenticated VLANs 18-2
- authentication servers
 - application example 17-4
 - defaults 17-3
 - how backups work 17-5
 - multiple mode 18-34
 - see* LDAP authentication servers, RADIUS authentication servers
 - server authority mode 18-32
 - single mode 18-32
 - used for accounting 18-35
 - used with authenticated VLANs 18-2
- automatic IP configuration 15-11
- AV-Client
 - configured for DHCP 18-23
 - installing 18-12
- avlan auth-ip** command 18-27
- avlan default-traffic** command 18-27
- avlan port-bound** command 18-28

B

- backup router
 - VRRP 16-6
- binding VLAN rules 7-6, 7-13

BPDU

- see* Bridge Protocol Data Units
- bridge forward delay** command 5-14
- bridge hello time** command 5-13
- bridge max age** command 5-14
- bridge mode** command 5-8
- bridge priority** command 5-12
- bridge protocol** command 5-11
- Bridge Protocol Data Units
 - contents 5-5
- bridge slot/port** command 5-12, 5-15
- bridge slot/port connection** command 5-20
- bridge slot/port mode** command 5-18
- bridge slot/port path cost** command 5-17
- bridge slot/port priority** command 5-16
- built-in port groups 21-10

C

- clear arp-cache** command 12-8
- combo ports 1-4
 - application examples 1-24
 - configuring 1-17
 - defaults 1-3
 - forced copper 1-4
 - forced fiber 1-4
 - overview 1-4
 - preferred copper 1-4
 - preferred fiber 1-4
- condition groups
 - for ACLs 21-34, 22-8
 - MAC groups 21-38
 - network groups 21-35
 - port groups 21-39
 - sample configuration 21-34
 - service groups 21-37
 - verify information about 21-42
- conditions
 - combined with actions 21-7
 - configuring 21-25
 - for ACLs 22-9
 - how to create 21-25
 - see also* condition groups
 - testing before applying 21-32
 - valid combinations 21-6
 - valid combinations for ACLs 22-6
- configuration snapshot** command 26-1

D

- debug memory monitor** command 26-4
- debug memory monitor show log** command 26-3, 26-5
- debug memory monitor show log global** command 26-6
- debug memory monitor show log size** command 26-9
- debug memory monitor show log task** command 26-7
- debug messages 25-8
- debugging memory
 - see* memory monitoring
- default route
 - IP 12-6

- defaults
 - 10/100/1000 ports 1-3
 - 802.1X 19-2
 - ACLs 22-2
 - assigning ports to VLANs 6-2
 - authentication servers 17-3
 - combo ports 1-3
 - DHCP Relay 15-2
 - dynamic link aggregation 11-3
 - Ethernet ports 1-2, 1-3
 - interswitch protocols 8-2
 - IP 12-2
 - IPMS 23-2
 - memory monitoring 26-2
 - mobile ports 6-2
 - policy servers 20-2
 - port mirroring 24-3
 - QoS 21-8
 - RDP 14-2
 - RDP interface 14-8
 - RIP 13-2
 - RMON 24-6
 - source learning 2-2, 3-2
 - Spanning Tree Algorithm and Protocol 5-2
 - static link aggregation 10-2
 - switch health 24-8
 - switch logging 25-3
 - VLAN rules 7-2
 - VLANs 4-2
 - VRRP 16-2
- Denial of Service
 - see* DoS
- DHCP 15-4, 15-5
 - used with 802.1X 19-6
- DHCP Relay 15-1, 15-9
 - application examples 15-3, 15-5, 15-7
 - authenticated VLANs 15-5
 - AVLAN forwarding option 15-10
 - defaults 15-2
 - DHCP server IP address 15-8
 - forward delay time 15-10
 - maximum number of hops 15-10
 - standard forwarding option 15-10
- DHCP servers
 - AV-Client 18-23
 - for authentication clients 18-29
 - Telnet authentication clients 18-7
 - Web browser authentication clients 18-8
- DHCP VLAN rules 7-4
- directed broadcast 12-10
- disposition
 - ACLs 22-4, 22-7
 - global defaults for QoS rules 21-12
- DNS
 - URL for Web browser authentication clients 18-8
- DoS 12-10
 - enabling traps 12-13
 - setting decay value 12-13
 - setting penalty values 12-12
 - Setting Port Scan Penalty Value 12-13
- DSCP
 - trusted ports 21-20
- DVMRP 23-5
- dynamic link aggregation 11-1
 - application examples 11-4, 11-29
 - assigning ports 11-12
 - creating groups 11-11
 - defaults 11-3
 - deleting groups 11-11
 - displaying 11-33
 - group actor administrative key 11-15
 - group actor system ID 11-16
 - group actor system priority 11-16
 - group administrative state 11-15
 - group names 11-14
 - group partner administrative key 11-17
 - group partner system ID 11-18
 - group partner system priority 11-17
 - groups 11-7, 11-11
 - LACPDU bit settings 11-19, 11-23
 - LACPDU frames 11-19, 11-23
 - Link Aggregation Control Protocol (LACP) 11-7
 - MAC address 11-16, 11-18, 11-20, 11-25
 - overview 11-7
 - port actor administrative priority 11-21
 - port actor port priority 11-22
 - port actor system administrative states 11-19
 - port actor system ID 11-20
 - port partner administrative key 11-25
 - port partner administrative priority 11-27
 - port partner administrative state 11-23
 - port partner administrative system ID 11-25
 - port partner administrative system priority 11-26
 - port partner port administrative status 11-27
 - ports 11-12
 - removing ports 11-13
 - specifications 11-2
- dynamic log
 - LDAP accounting servers 17-24
- dynamic VLAN port assignment
 - mobile ports 6-4
 - secondary VLANs 6-13
 - VLAN rules 7-1

E

errors 25-8
 Ethernet
 application examples 1-24
 defaults 1-2, 1-3
 flood rate 1-9
 frame size 1-11
 full duplex 1-14, 1-20
 half duplex 1-14, 1-20
 multicast traffic 1-9

F

Fast Spanning Tree 5-3
 filtering lists
 see ACLs
 forced copper 1-4
 configuring 1-18
 forced fiber 1-4
 configuring 1-17
 frame type 9-7

G

GMAP
 see Group Mobility Advertisement Protocol
gmap disable command 8-9
gmap enable command 8-9
gmap gap time command 8-10
gmap hold time command 8-11
gmap update time command 8-10
 Group Mobility Advertisement Protocol 8-1

H

health interval command 24-27
health statistics reset command 24-29
health threshold command 24-25
 health threshold limits
 displaying 24-26
 Hot Standby Routing Protocol
 see HSRP
 Hsecu.img 18-8
 HSRP
 not compatible with VRRP 16-2

I

ICMP 12-15
 QoS policies for 21-51
 statistics 12-18
 IEEE 9-1
 IGMP
 multicast ACLs 22-1, 22-12
 Institute of Electrical and Electronics Engineers
 see IEEE
interfaces admin command 1-8
interfaces alias command 1-11
interfaces autoneg command 1-15
interfaces crossover command 1-16

interfaces duplex command 1-14
interfaces flood command 1-9
interfaces flood multicast command 1-9
interfaces flood rate command 1-10
interfaces hybrid autoneg command 1-21
interfaces hybrid crossover command 1-22
interfaces hybrid duplex command 1-20
interfaces hybrid forced-copper command 1-18
interfaces hybrid forced-fiber command 1-17
interfaces hybrid preferred-copper command 1-18
interfaces hybrid preferred-fiber command 1-19
interfaces hybrid speed command 1-19
interfaces ifg command 1-14
interfaces max frame command 1-11
interfaces no l2 statistics command 1-8
interfaces speed command 1-13
 inter-frame gap value 1-14
 Internet Control Message Protocol
 see ICMP
 interswitch protocols
 AMAP 8-1, 8-3
 application examples 8-8, 8-11
 defaults 8-2
 GMAP 8-1, 8-9
 IP 12-1
 application examples 12-2
 ARP 12-7
 defaults 12-2
 directed broadcast 12-10
 ICMP 12-15
 ping 12-19
 protocols 12-3
 router ID 12-9
 router port 12-5
 router primary address 12-9
 static route 12-6
 tracing an IP route 12-19
 TTL value 12-9
 UDP 12-20
ip default-ttl command 12-9
ip directed-broadcast command 12-10
ip dos scan close-port-penalty command 12-12
ip dos scan decay command 12-13
ip dos scan tcp open-port-penalty command 12-12
ip dos scan threshold command 12-13
ip dos scan trap command 12-13
ip dos scan udp open-port-penalty command 12-12
ip helper address command 15-8, 18-30
ip helper avlan only command 15-10, 18-30
ip helper boot-up command 15-11
ip helper forward delay command 15-10
ip helper maximum hops command 15-10
ip helper per-vlan command 15-10
ip helper standard command 15-10
ip load rip command 13-6
ip multicast igmp-proxy-version command 23-8
ip multicast leave-timeout command 23-11
ip multicast max-ingress-bandwidth command 23-14
ip multicast membership-timeout command 23-11

- ip multicast neighbor-timeout** command 23-12
 - ip multicast other-querier-timeout** command 23-13
 - ip multicast priority** command 23-13
 - ip multicast querier-timeout** command 23-12
 - ip multicast query-interval** command 23-11
 - ip multicast static-member** command 23-10
 - ip multicast static-neighbor** command 23-8
 - ip multicast static-querier** command 23-9
 - IP Multicast Switching
 - see* IPMS
 - ip multicast switching** command 23-7
 - ip rip force-holddowntimer** command 13-9
 - ip rip host-route** command 13-9
 - ip rip interface auth-key** command 13-15
 - ip rip interface auth-type** command 13-14
 - ip rip interface** command 13-7
 - ip rip interface metric** command 13-8
 - ip rip interface recv-version** command 13-8
 - ip rip interface send-version** command 13-7
 - ip rip interface status** command 13-7
 - ip rip redist** command 13-3, 13-10
 - ip rip redist metric** command 13-11
 - ip rip redist status** command 13-10
 - ip rip redist-filter** command 13-4, 13-12
 - ip rip redist-filter effect** command 13-12
 - ip rip redist-filter metric** command 13-13
 - ip rip redist-filter redist-control** command 13-13
 - ip rip redist-filter route-tag** command 13-13
 - ip rip route-tag** command 13-8
 - ip rip status** command 13-6
 - IP router ports 4-11
 - ip router primary-address** command 12-9
 - ip router router-id** command 12-9
 - ip router-discovery** command 14-8
 - ip router-discovery interface advertisement-address** command 14-9
 - ip router-discovery interface advertisement-lifetime** command 14-10
 - ip router-discovery interface** command 14-8
 - ip router-discovery interface max-advertisement-interval** command 14-9
 - ip router-discovery interface min-advertisement-interval** command 14-9
 - ip router-discovery interface preference-level** command 14-10
 - IP routing
 - virtual routers 16-1
 - ip static-route** command 12-6
 - IPMS 23-1
 - adding static members 23-10
 - adding static neighbors 23-8
 - adding static queriers 23-9
 - application examples 23-15
 - defaults 23-2
 - deleting static members 23-10
 - deleting static neighbors 23-9
 - deleting static queriers 23-10
 - disabling 23-7
 - displaying 23-17
 - DVMRP 23-5
 - enabling 23-7
 - IGMPv2 23-8
 - IGMPv3 23-5, 23-8
 - leave timeout 23-11
 - link aggregation 23-5
 - maximum ingress bandwidth 23-14
 - membership timeout 23-11
 - multicast priority 23-13
 - neighbor timeout 23-12
 - optional multicast routing software 23-4
 - overview 23-3
 - PIM-SM 23-5
 - querier aging and election timeout 23-13
 - querier timeout 23-12
 - query interval 23-11
 - RFCs 23-2
 - specifications 23-2
 - static members 23-10
 - static neighbors 23-8
 - static queriers 23-9
- ## L
- label.txt 18-8
 - LACP
 - see* dynamic link aggregation
 - lacp agg actor admin key** command 11-12
 - lacp agg actor admin state** command 11-19
 - lacp agg actor port priority** command 11-22
 - lacp agg actor system id** command 11-20
 - lacp agg actor system priority** command 11-21
 - lacp agg partner admin key** command 11-25
 - lacp agg partner admin port** command 11-27
 - lacp agg partner admin port priority** command 11-27
 - lacp agg partner admin state command** 11-23
 - lacp agg partner admin system id** command 11-25
 - lacp agg partner admin system priority** command 11-26
 - lacp linkagg actor admin key** command 11-15
 - lacp linkagg actor system id** command 11-16
 - lacp linkagg actor system priority** command 11-16
 - lacp linkagg admin state** command 11-15
 - lacp linkagg name** command 11-14
 - lacp linkagg partner admin key** command 11-17
 - lacp linkagg partner system id** command 11-18
 - lacp linkagg partner system priority** command 11-17
 - lacp linkagg size** command 11-4, 11-11
 - Layer 2
 - statistics counters 1-8
 - Layer 2 Authentication
 - see* authenticated VLANs
 - LDAP accounting servers
 - dynamic log 17-24
 - standard attributes 17-22
 - used for authenticated VLANs 18-35
 - LDAP authentication servers
 - directory entries 17-17
 - functional privileges 17-21
 - passwords for 17-20

- schema extensions 17-17
- SNMP attributes on authentication servers 17-22
- SSL 17-26
- VSAs for Authenticated Switch Access 17-21
- LDAP servers
 - see* policy servers
 - used for QoS policies 20-3
- Lightweight Directory Access Protocol
 - see* LDAP servers
- line speed 1-13, 1-19
- link aggregation
 - 802.1Q 9-6
 - dynamic link aggregation 11-1
 - enabling tagging 9-6
 - Spanning Tree parameters 5-15, 5-16, 5-17, 5-19, 5-20
 - static link aggregation 10-1
- logged events
 - detail level 21-14
 - sent to PolicyView 21-14
 - sent to the console 21-15
 - types of events 21-13

M

- MAC address table 2-1, 2-4
 - aging time 2-5
 - duplicate MAC addresses 2-4
 - learned MAC addresses 2-4
 - static MAC addresses 2-4
- MAC address VLAN rules 7-6
- MAC addresses
 - aging time 2-5, 5-14
 - dynamic link aggregation 11-16, 11-18, 11-20, 11-25
 - learned 2-4
 - statically assigned 2-4
- mac-address-table** command 2-4
- mac-address-table-aging-time** command 2-6
- map groups 21-43
 - application 21-51
 - how to create 21-44
 - verify information about 21-45
- master router
 - VRRP 16-5
- memory monitoring 26-1
 - application examples 26-3
 - default values 26-2
 - disabling 26-4
 - enabling 26-4
 - global statistics 26-6
 - memory monitor log 26-5
 - overview 26-4
 - size statistics 26-9
 - specifications 26-2
 - task statistics 26-7
- mobile port properties 6-16
 - authentication 6-17
 - BPDU ignore 6-11
 - default VLAN membership 6-12
 - restore default VLAN 6-12

- mobile ports 6-11
 - application examples 6-3, 6-6, 6-8
 - authentication 4-11
 - defaults 6-2
 - dynamic VLAN port assignment 6-4, 6-12
 - secondary VLANs 6-13
 - trusted 21-5, 21-20
 - VLAN rules 7-1

N

- network address VLAN rules 7-6

O

- OmniChannel
 - see* static link aggregation
- OSPF 13-4

P

- pending configuration 21-46
- pending policies
 - deleting 21-47
 - testing 21-32
- Per VLAN DHCP 15-9
- PIM-SM 23-5
- ping
 - IP 12-19
- ping** command 12-19
- policies
 - application examples 21-49
 - applied 21-46
 - built-in 21-10
 - conditions 21-25
 - for ACLs 22-10
 - how the switch uses them 21-4
 - precedence 21-28, 22-5
 - rules 21-27
 - verify information about 21-31
- policies configured via PolicyView 21-48
- policy action 802.1p** command 21-21
- policy action** command 21-18, 21-23
- policy action map** command 21-43
- policy actions
 - see* actions
- policy condition** command 21-23
- policy mac group** command 21-34, 22-8
- policy MAC groups 21-38
- policy map group** command 21-43
- policy map groups
 - application example 21-43
- policy network group** command 21-34, 22-8
- policy network groups 21-35
 - switch** default group 21-10, 21-35
- policy port group** command 21-34, 22-8
- policy port groups 21-39
- policy rule** command 21-23
- policy server** command 20-4
 - defaults 20-2

- policy server flush** command 20-6
 - compared to **qos flush** command 20-7
 - policy server load** command 20-6
 - policy servers
 - defaults 20-2
 - downloading policies 20-6
 - installing 20-3
 - SSL 20-6
 - policy service** command 22-8
 - policy service group** command 21-34, 22-8
 - policy service groups 21-37
 - policy services 21-36
 - PolicyView
 - LDAP policy servers 20-1
 - Port Based Network Access Control
 - see* 802.1X
 - port mirroring 24-9
 - application example 24-4
 - defaults 24-3
 - direction 24-13
 - disabling mirroring status 24-13
 - displaying status 24-15
 - enabling or disabling mirroring status 24-12
 - specifications 24-3
 - unblocking ports 24-12
 - port mirroring** command 24-14
 - port mirroring session
 - creating 24-11
 - deleting 24-15
 - enabling/disabling 24-14
 - port mirroring source destination** command 24-11, 24-13
 - port mobility
 - see* mobile ports
 - port VLAN rules 7-7
 - ports
 - 802.1Q 9-5
 - displaying QoS information about 21-22
 - enabling tagging 9-5
 - mobile ports 6-11
 - Spanning Tree parameters 5-15
 - trusted 21-20
 - VLAN assignment 4-6, 6-1
 - precedence
 - ACLs 22-5
 - for policies 21-28, 22-5
 - preferred copper 1-4
 - configuring 1-18
 - preferred fiber 1-4
 - configuring 1-19
 - protocol VLAN rules 7-6
- Q**
- QoS
 - application examples 21-23, 21-49
 - ASCII-file-only syntax 5-11, 21-24
 - configuration overview 21-11
 - defaults 21-8
 - enabled/disabled 21-12
 - interaction with other features 21-5
 - overview 21-3
 - quick steps for creating policies 21-23
 - traffic prioritization 21-49
 - qos apply** command 21-46
 - global configuration 21-46
 - policy and port configuration 21-46
 - testing conditions 21-32
 - qos clear log** command 21-16
 - qos** command 21-12
 - qos default bridged disposition** command 21-10, 21-12
 - qos default bridged disposition** command
 - used for ACLs 22-7
 - qos default multicast disposition** command 21-10, 21-12
 - qos default routed disposition** command 21-10, 21-12
 - used for ACLs 22-7
 - qos flush** command 21-47
 - compared to **policy server flush** command 20-7
 - qos forward log** command 21-14
 - QoS log
 - cleared 21-16
 - displayed 21-15
 - number of display lines 21-14
 - see also* logged events
 - qos log level** command 21-14
 - qos port** command 21-18
 - qos port trusted** command 21-21
 - qos reset** command 21-16
 - qos revert** command 21-47
 - qos stats interval** command 21-16
 - qos trust ports** command 21-21
 - Quality of Service
 - see* QoS
 - queues
 - shared 21-18
- R**
- RADIUS accounting servers
 - standard attributes 17-13
 - used for 802.1X 19-11
 - used for authenticated VLANs 18-35
 - VSAs 17-14
 - RADIUS authentication servers 17-9
 - functional privileges 17-12
 - standard attributes 17-9
 - used for 802.1X 19-5
 - VSAs 17-11
 - Rapid Spanning Tree Algorithm and Protocol 5-3
 - port connection types 5-19
 - RDP 14-1, 14-5
 - advertisement destination address 14-9
 - advertisement interval 14-9
 - advertisement lifetime 14-10
 - defaults 14-2
 - disable 14-8
 - enable 14-8
 - example 14-5
 - interface 14-6

- IP address preference 14-10
 - security 14-7
 - RDP interface 14-6
 - creating 14-8
 - defaults 14-8
 - re-authentication
 - 802.1X 19-6
 - Remote Authentication Dial-In User Service
 - see* RADIUS authentication servers
 - resource threshold limits
 - configuring 24-25
 - RIP 13-1
 - application examples 13-3
 - defaults 13-2
 - enabling 13-6
 - forced hold-down timer 13-9
 - host route 13-9
 - interface 13-7
 - IP 13-4
 - loading 13-6
 - redistribution 13-9
 - redistribution filters 13-11
 - redistribution policies 13-10
 - security 13-14
 - unloading 13-6
 - RIP interface
 - creating 13-7
 - deleting 13-7
 - enabling 13-7
 - metric 13-8
 - password 13-14
 - receive option 13-8
 - route tag 13-8
 - send option 13-7
 - RIP redistribution
 - disabling 13-10
 - enabling 13-10
 - RIP redistribution filters 13-11
 - action 13-12
 - creating 13-12
 - deleting 13-12
 - metric 13-13
 - route control 13-13
 - route tag 13-13
 - RIP redistribution policies 13-10
 - creating 13-10
 - deleting 13-10
 - RMON
 - application example 24-6
 - defaults 24-6
 - specifications 24-5
 - RMON events
 - displaying list 24-22
 - displaying specific 24-22
 - RMON probes
 - displaying list 24-19
 - displaying statistics 24-20
 - enabling/disabling 24-18
 - rmon probes** command 24-18
 - RMON tables
 - displaying 24-19
 - Router Discovery Protocol
 - see* RDP
 - router ID 12-9
 - router port
 - IP 12-5
 - router primary address 12-9
 - Routing Information Protocol
 - see* RIP
 - RSTP
 - see* Rapid Spanning Tree Algorithm and Protocol
 - rules
 - see* policies
- S**
- sampling intervals
 - configuring 24-27
 - viewing 24-27
 - Secure Socket Layer
 - see* SSL
 - security 14-7
 - severity level
 - see* switch logging
 - shared queues 21-18
 - show 802.1q** command 9-8, 9-11
 - show 802.1x** command 19-4
 - show aaa accounting vlan** command 18-6
 - show aaa authentication alvan** command 18-6
 - show arp** command 12-7
 - show avlan user** command 18-26
 - show health** command 24-28
 - show health interval** command 24-27
 - show health threshold** command 24-26
 - show icmp statistics** command 12-18
 - show ip config** command 12-9, 12-10
 - show ip interface** command 12-5
 - show ip rip** command 13-6
 - show ip rip interface** command 13-7
 - show ip rip redistrib** command 13-10
 - show ip rip redistrib-filter** command 13-12
 - show ip route** command 12-6
 - show log pmd** command 26-4
 - show log swlog** command 25-12
 - show policy server long** command 20-6
 - show port mirroring status** command 24-15
 - show qos log** command 21-15
 - show rmon events** command 24-19
 - show rmon probes** command 24-19
 - show swlog** command 25-4
 - show tcp ports** command 12-19
 - show tcp statistics** command 12-19
 - show udp ports** command 12-20
 - show udp statistics** command 12-20
 - SNMP
 - attributes for LDAP authentication servers 17-22

- source learning 2-1
 - application examples 2-2
 - defaults 2-2, 3-2
 - MAC address table 2-1, 2-4
 - Spanning Tree Algorithm and Protocol 4-10, 5-1
 - 1x1 operating mode 4-10, 5-8, 5-10
 - application examples 5-6, 5-21
 - bridge ID 5-5, 5-12
 - Bridge Protocol Data Units 5-5, 5-12, 5-14, 6-11
 - bridged ports 5-15
 - defaults 5-2
 - designated bridge 5-3
 - flat operating mode 4-10, 5-8, 5-9
 - path cost 5-17
 - port connection types 5-19
 - Port ID 5-5
 - port ID 5-16
 - port path cost 5-3
 - port roles 5-3
 - port states 5-4, 5-18
 - root bridge 5-3, 5-13, 5-14
 - root path cost 5-3
 - topology 5-3, 5-7
 - Topology Change Notification 5-6
 - Spanning Tree bridge parameters 5-10
 - 802.1D standard protocol 5-11
 - 802.1w rapid reconfiguration protocol 5-11
 - forward delay time 5-14
 - hello time 5-12
 - maximum age time 5-14
 - priority 5-12
 - Spanning Tree port parameters 5-15
 - connection type 5-19
 - link aggregate ports 5-15, 5-16, 5-17, 5-19, 5-20
 - mode 5-18
 - path cost 5-17
 - priority 5-16
 - Spanning Tree status 5-15
 - SSL
 - for LDAP authentication servers 17-26
 - policy servers 20-6
 - static agg agg num** command 10-3, 10-9
 - static link aggregation 10-1
 - adding ports 10-9
 - application examples 10-3, 10-11
 - configuration steps 10-7
 - creating 10-8
 - defaults 10-2
 - deleting 10-8
 - deleting ports 10-9
 - disabling 10-10
 - displaying 10-13
 - enabling 10-10
 - group names 10-10
 - groups 10-5
 - overview 10-5
 - specifications 10-2
 - static linkagg admin state** command 10-10
 - static linkagg name** command 10-10
 - static linkagg size** command 10-3, 10-8
 - static MAC addresses 2-4
 - static route
 - IP 12-6
 - metric 12-6
 - subnet mask 12-6
 - static VLAN port assignment 6-4
 - STP
 - see* Spanning Tree Algorithm and Protocol
 - subnet mask 12-6
 - switch health
 - application example 24-8
 - defaults 24-8
 - monitoring 24-23
 - specifications 24-7
 - switch health statistics
 - resetting 24-29
 - viewing 24-28
 - switch logging
 - application examples 25-4
 - application ID 25-6
 - defaults 25-3
 - output 25-9
 - severity level 25-8
 - status 25-10
 - swlog appid level** command 25-6
 - swlog clear** command 25-11
 - swlog** command 25-6
 - swlog output** command 25-9
 - swlog output flash file-size** command 25-11
- ## T
- TCN BPDU
 - see* Topology Change Notification BPDU
 - TCP
 - statistics 12-19
 - Telnet
 - authentication client 18-7
 - time-to-live
 - see* TTL
 - Topology Change Notification BPDU 5-6
 - ToS
 - trusted ports 21-20
 - traceroute** command 12-19
 - tracking
 - VRRP 16-7
 - traffic prioritization 21-49
 - trap port link** command 1-7
 - traps
 - port link messages 1-7
 - trusted ports
 - see also* ports
 - used with QoS policies 21-21
 - TTL value 12-9

U

- UDP 12-20
 - statistics 12-20
- User Datagram Protocol
 - see* UDP
- users
 - functional privileges 17-12, 17-21

V

- Vendor Specific Attributes
 - see* VSAs
- Virtual Router Redundancy Protocol
 - see* VRRP
- virtual routers 16-5
- vlan 802.1q** command 4-6, 4-9, 6-4, 9-5
- vlan 802.1q frame type** command 9-7
- vlan authentication** command 19-4
- vlan authentication** command 4-11
 - configuring authenticated VLANs 18-26
- vlan binding mac-ip-port** command 7-14
- vlan binding mac-port** command 7-14
- vlan binding port-protocol** command 7-14
- vlan** command 12-2, 13-3
- vlan dhcp generic** command 7-13
- vlan dhcp mac** command 7-11
- vlan dhcp mac range** command 7-12
- vlan dhcp port** command 7-12
- vlan ip** command 7-16
- vlan ipx** command 7-17
- vlan mac** command 7-15
- vlan mac range** command 7-16
- vlan mobile-tag** command 4-9, 6-5
- vlan port 802.1x** command
 - enabling 802.1X on ports 19-8
- vlan port authenticate** command 4-11, 6-16
 - configuring authenticated ports 18-28
- vlan port** command 7-19
 - and 802.1X ports 19-4
- vlan port default** command 4-6, 4-7, 6-4, 12-3, 13-3
- vlan port default vlan** command 6-16
- vlan port default vlan restore** command 6-16
- vlan port mobile** command 3-7, 4-7, 6-4, 6-10, 6-11
 - configuring authenticated ports 18-28
- vlan protocol** command 7-18
- vlan router ip** command 4-11, 12-3, 12-5, 13-3
 - configuring authenticated VLANs 18-26
- VLAN rules 7-1, 7-10
 - application examples 7-3, 7-20
 - binding 7-6, 7-13
 - defaults 7-2
 - DHCP 7-4, 7-11, 7-12, 7-13
 - MAC address 7-6, 7-15
 - MAC range 7-16
 - network address 7-6, 7-16, 7-17
 - port 7-7, 7-19
 - precedence 7-8
 - protocol 7-6, 7-18
 - types 7-4

- vlan stp** command 4-10
- VLANs 4-1, 4-5
 - 802.1Q 9-3
 - administrative status 4-6
 - application examples 4-3, 4-14, 6-3
 - authentication 4-11
 - default VLAN 6-1, 6-12
 - defaults 4-2
 - description 4-6
 - enabling tagging 9-3
 - IP router ports 4-11
 - MAC address aging time 2-5
 - operational status 4-5
 - port assignment 4-6, 6-1
 - rules 7-1
 - secondary VLAN 6-13
 - Spanning Tree parameters 5-10
 - Spanning Tree status 4-10
 - VLAN ID 4-5
- VRRP 16-1
 - ACLs 16-8
 - application example 16-3, 16-16
 - ARP request 16-6
 - backup router 16-6
 - defaults 16-2
 - MAC address 16-6
 - master router 16-5
 - tracking 16-7
 - virtual routers 16-5
- vrrp** command 16-8
 - defaults 16-2
- vrrp delay** command 16-13
- vrrp ip** command 16-8
- vrrp track** command 16-14
- vrrp track-association** command 16-14
- vrrp trap** command 16-13
- VSAs
 - for LDAP servers 17-21
 - for RADIUS authentication 17-9
 - RADIUS accounting servers 17-14
 - setting up for RADIUS servers 17-11

W

- warnings 25-8
- Web browser
 - authentication client 18-7
 - installing files for Mac OS authentication 18-9